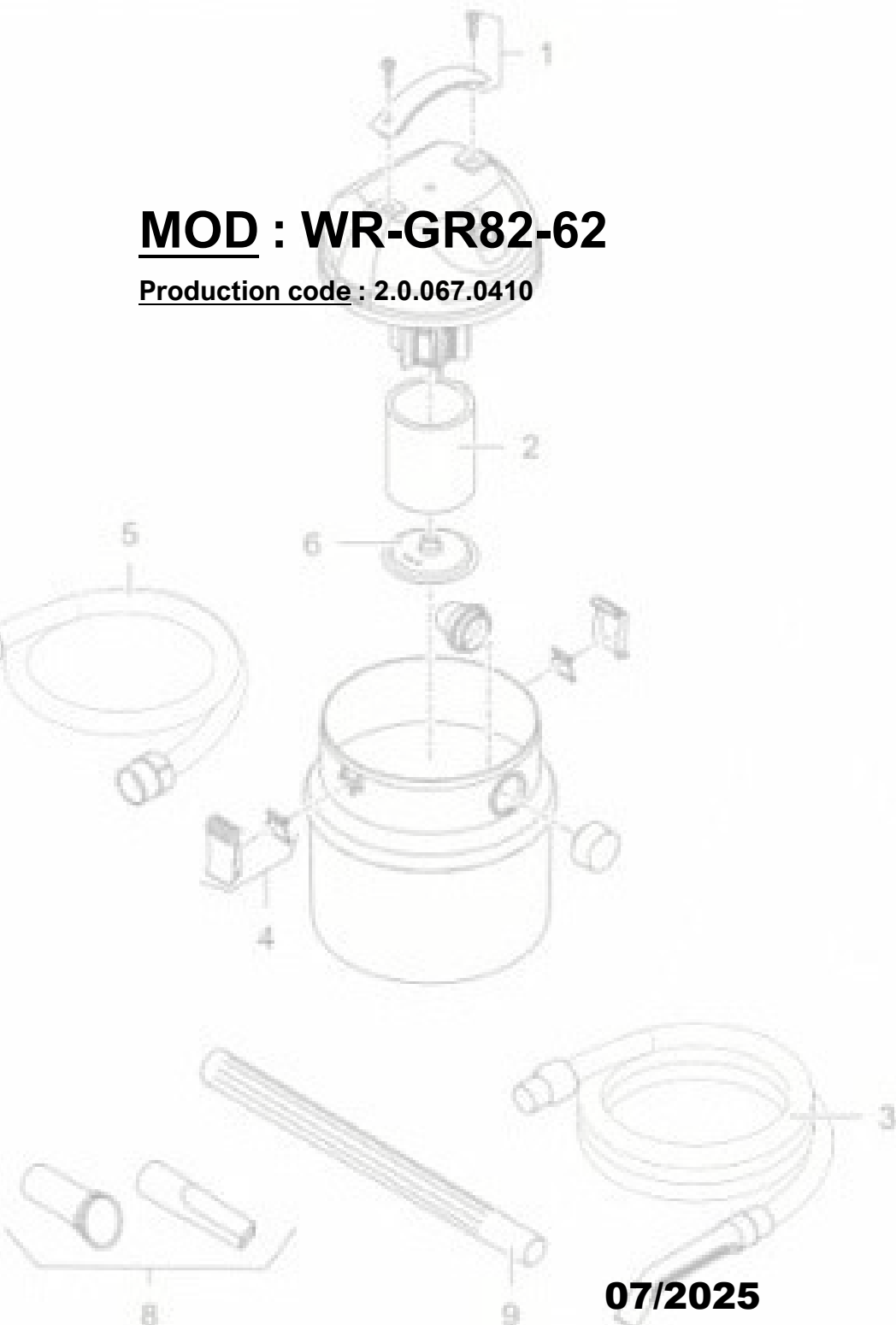


MOD : WR-GR82-62

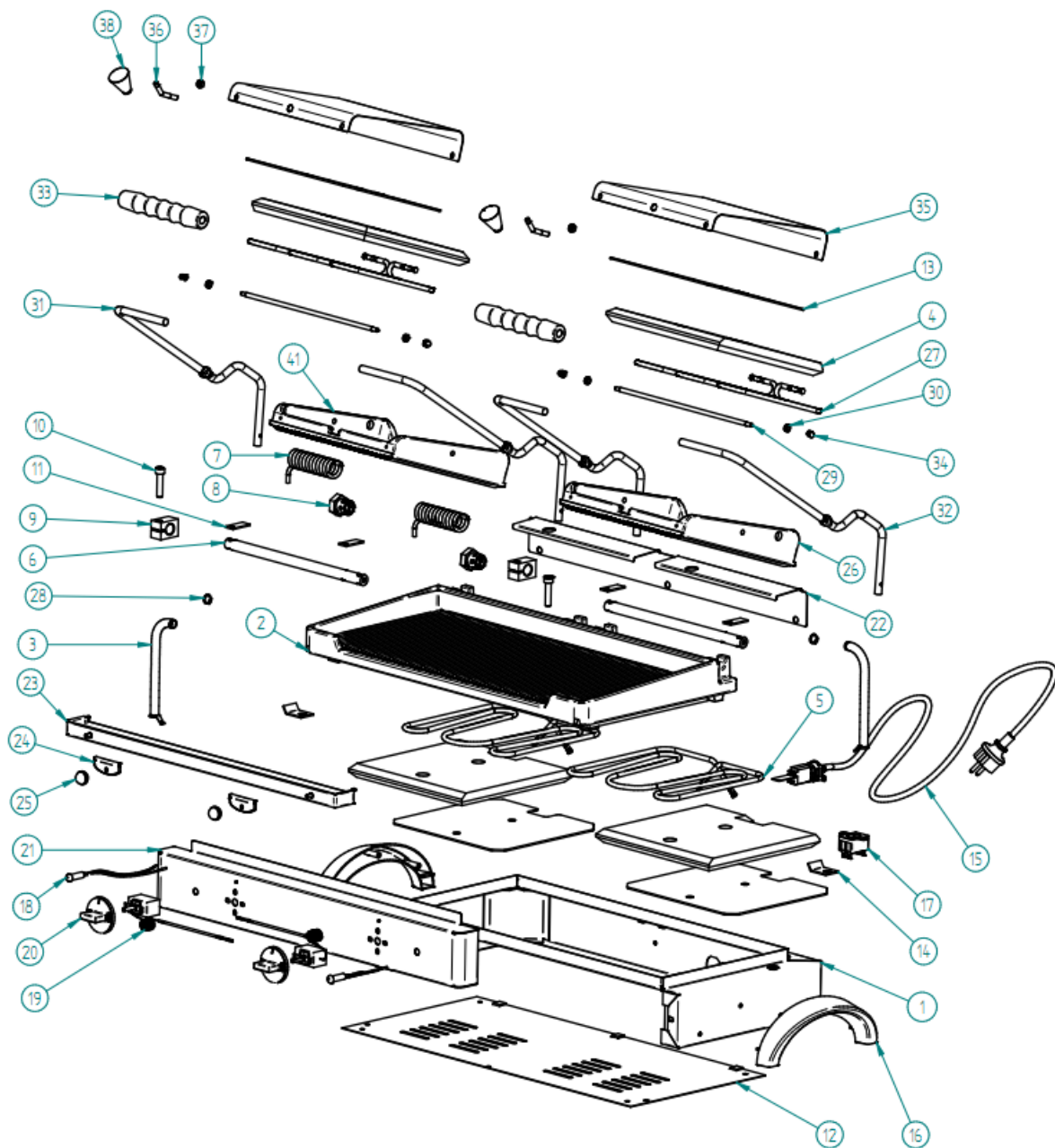
Production code : 2.0.067.0410



EXPLODED VIEW



CONTACT GRILL



ITEM Nº	CÓDIGO	DESIGNAÇÃO	DESIGNATION	QUANT.
1	7.0.067.0035	CHASSI CONJUNTO GR 8	OUTER CASING ASSEMB. GR 8	1
2	7.0.067.0080	BASE CANELADA PINTADA GR8	PAINTED GROOVED BOTTOM PLATE GR 8	1
3	4.0.066.0089	TUBO ISOLADOR GR	INSULATING TUBE GR	2
4	7.0.066.0028	ISOLAMENTO LA CERAMICA GR 4/GR 8	CERAMIC WOOL INSULATION GR 4/GR 8	4
5	4.0.066.0083	RESISTENCIA INFERIOR 1150W 240V GR 4 / GR 8	LOWER HEATING ELEMENT 1150W 240V	2
6	7.0.066.0010	VEIO POSTERIOR ZINC. GR 4 / GR 8	ZINC-PLATED REAR SHAFT GR 4 / GR 8	2
7	4.0.066.0020	MOLA INDX 5MM	SPRING 5MM	2
8	4.0.066.0044	AFINADOR DA MOLA GR	SPRING ADJUSTOR GR	2
9	7.0.066.0075	AJUSTADOR BRONZE MAQ. GR	BRASS ADJUSTER GR	2
10	4.0.066.0060	PARAFUSO UMBRACO M8x35 ZINC. DIN912	CYLIND. HEAD SCREW W/ HEX. SOCKET M8X35 ZINC. DIN912	2
11	7.0.066.0007	CHAPA FIXAÇÃO VEIO GR	SHAFT BRACKET GR	4
12	7.0.067.0050	BLINDAGEM DO FUNDO MAQUIN. GR8	BOTTOM SHIELD GR 8	1
13	7.0.066.0020	CHAPA FIXAÇÃO RESIST. GR 4 / GR 8	HEATING ELEMENT BRACKET GR 4 / GR 8	4
14	7.0.066.0018	FIXADOR BOLBO TERMOSTATO GR	THERMOSTAT BULB BRACKET GR	2
15	4.0.075.0054	CABO SECTOR CONJ. 361,5 IPA 84E1	IPA 84E1 361,5 CABLE SET	1
16	4.0.075.0064	ASA PLASTICO	PLASTIC WING	2
17	4.0.066.0108	TERMOSTATO SEGURANÇA 150°	SAFETY THERMOSTAT 150°	1
18	4.0.066.0025	SINALIZADOR LARANJA TER. PONT. 350MM SL10207	350MM ORANGE LED	2
19	4.0.066.0114	TERMOSTATO REGULAVEL 250°	250° ADJUSTABLE THERMOSTAT	2
20	4.0.066.0112	MANIPULO TERMOSTATO 0-250°	THERMOSTAT CONTROL KNOB	2
21	7.0.067.0088	PAINEL FRONTAL ESTAMP. C/ PORCAS GR 8	PRINTED FRONT PANEL W/NUTS GR 8	1
22	7.0.067.0055	PROTEÇÃO MOLA GR 8	SPRING PROTECTION GR 8	1
23	7.0.067.0070	MOLHEIRA CONJUNTO GR 8	DRIP TRAY ASSEMB. GR 8	1
24	4.0.066.0088	PROTEÇÃO TERMICA MOLHEIRA GR	THERMIC PROTECTION	2
25	4.0.066.0037	MANIPULO ESFERICO ø18MM IM51	HANDLE DRIP TRAY	2
26	7.0.067.0075	GRELHA SUPERIOR DIR. CANEL. PINT. GR 4 / GR 8	PAINTED GROOVED UPPER RIGHT PLATE GR 4 / GR 8	1
27	4.0.066.0084	RESISTENCIA SUPERIOR 850W 240V GR4/GR8	UPPER HEATING ELEMENT 850W 240V GR4/GR8	2
28	4.0.066.0065	FREIO EXTERIOR 12MM	EXTERIOR BRAQUE 12MM	2
29	7.0.066.0005	EIXO TAMPA GR 4	LID SHAFT GR 4	2
30	7.0.066.0006	CASQUILHO GR 5353.000.13 NIQ.	SLEEVE GR 5353.000.13 NIQ.	4
31	7.0.066.0023	BRAÇO ESQUERDO CROM GR4 / GR8	CHROMED-PLATED LEFT ARM GR 4 / GR 8	2
32	7.0.066.0025	BRAÇO DIREITO CROM GR4 / GR8	CHROMED-PLATED RIGHT ARM GR 4 / GR 8	2
33	4.0.066.0048	PEGADEIRA ø10MM GR	HANDLE DIAM. 10 GR	2
34	4.0.066.0030	PORCA M5 NIQ. DIN1587	NUT M5	4
35	7.0.066.0060	TAMPA GRELHA SUP. GR 4 / GR 8	UPPER PLATE COVER GR 4 / GR 8	2
36	7.0.066.0013	VEIO PUNHO INDX GR 5353.000.18	STAINLESS STEEL HANDLE SHAFT GR 5353.000.18	2
37	4.2.000.9181	PORCA M6 INDX DIN934	M6 NUT STAINLESS STEEL DIN934	2
38	4.0.065.0004	MANIPULO 607 A C/ ROSCA M6	KNOB 607 WITH THREAD M6	2
39	7.0.067.0090	BASE LISA PINTADA GR8	PAINTED SMOOTH BOTTOM PLATE GR 8	1
40	7.0.067.0078	GRELHA SUPERIOR DIR. LISA PINT. GR 4 / GR 8	PAINTED SMOOTH UPPER RIGHT PLATE GR 4 / GR 8	1
41	7.0.067.0072	GRELHA SUPERIOR ESQ. CANEL. PINT. GR 8	PAINTED GROOVED UPPER LEFT PLATE GR 8	1