



Di✓verso

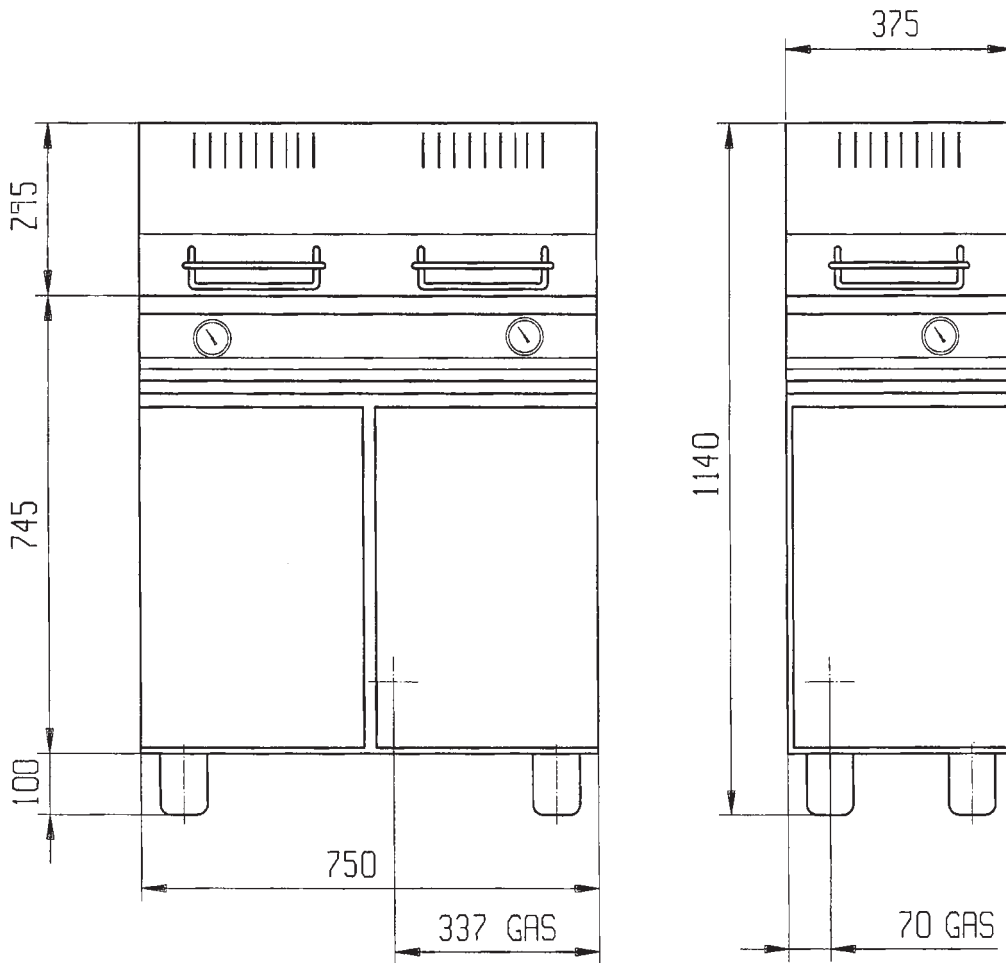


MOD: WR-GF15-G1

Production code: B-GF15S_

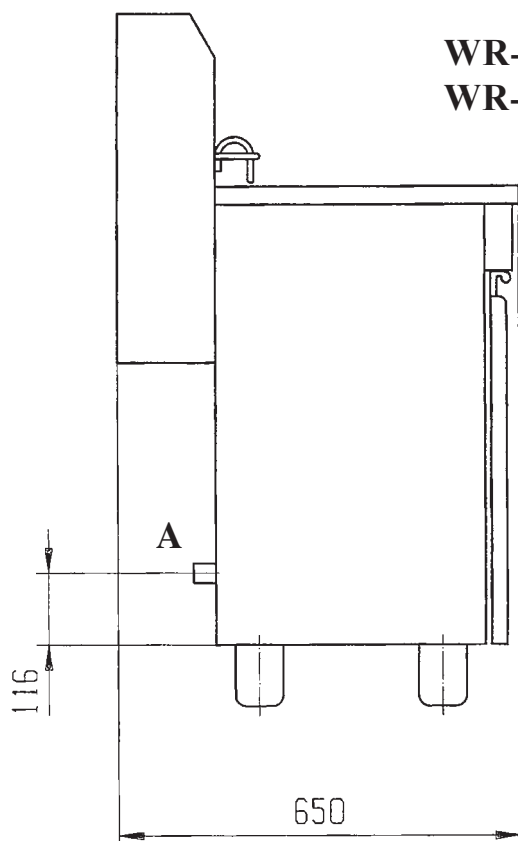
07/2025

SCHEMI DI INSTALLAZIONE - INSTALLATION DIAGRAM
SCHEMAS D'INSTALLATION - INSTALLATIONSPLÄNE
ESQUEMAS DE INSTALACIÓN



WR-GF15-G1
WR-GF30-G2

Tipo: A
Type: A
Type: A
Typ: A
Tipo: A



A= Collegamento gas G 1/2"
Gas connection G 1/2"
Raccord gaz G 1/2"
Gasanschluß R 1/2"
Conexión gas G 1/2"