



MOD : WR-G6BF-F2

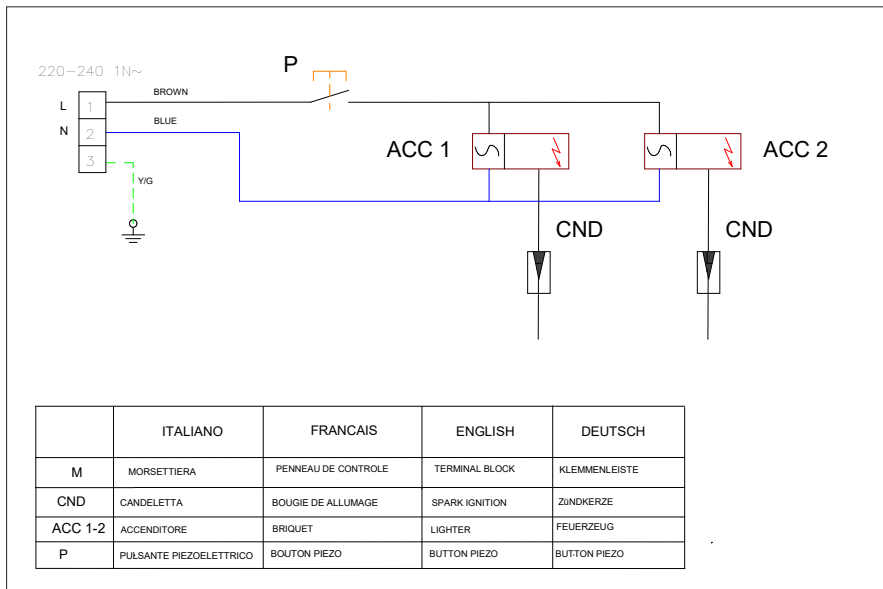
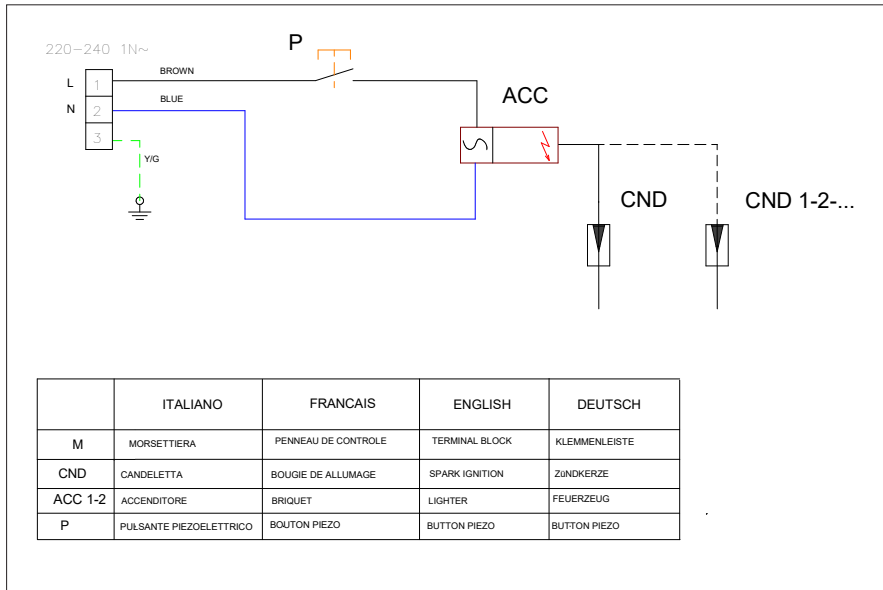
Production code : MFB711AFGXS

06/2025

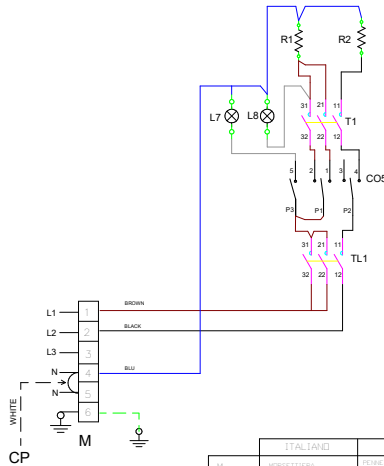
SCHEMA ELETTRICO - WIRING DIAGRAM

FB... AE

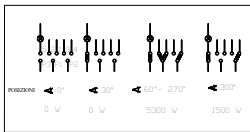
220/240 V ~ 1N 50-60 HZ (ELECTRONIC IGNITION)



FB...FE



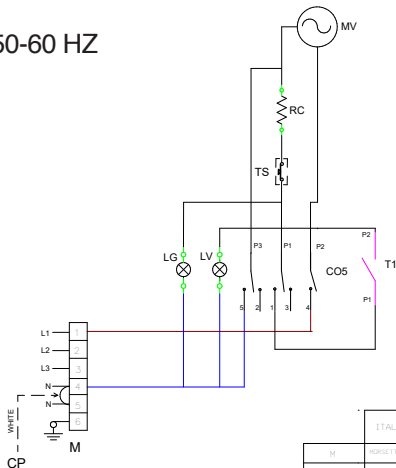
CO5



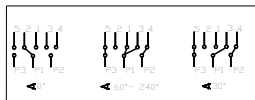
	ITALIANO	FRANCAIS	ENGLISH	DEUTSCH
M	MOTORELLEVA	MOTOREU DE L'AVANCEE	TRIMING BLOCK	TRIMMHALTER
CP	CAVIO PORTO	CABLE PORT	BRIDGE CABLE	CABLE BRIDGE
CO5	COMUTATORE	COMBATEUR	SWITCH	HAUPTSCHALTER
R1	RESISTENZA GIOLA	RESISTANCE	RESISTANCE	WIDERSTAND
R2	RESISTENZA GRILL	RESISTANCE GRILL	GRILL RESISTANCE	WIDERSTAND GRILL
L7	LAMPADA VERDE	LAMPE VERTE	GREEN LAMP	GRUENE LAMPE
L8	LAMPADA BRANCA	LAMPE BRANCA	BRIDGE LAMP	BRANKE LAMPE
T1	TERMOSTATO DI LAVORO	THERMOSTAT DE TRAVAIL	WORKING THERMOSTAT	THERMOSTAT DER WERK
TL1	TERMOSTATO LIBRE	THERMOSTAT DE SECURITE	LIMIT THERMOSTAT	LIMIT THERMOSTAT

FB...FEV

220/240 V ~ 1N 50-60 HZ



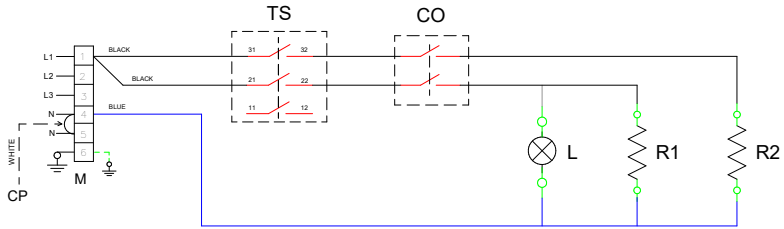
CO5



	ITALIANO	FRANCAIS	ENGLISH	DEUTSCH
M	MOTOREL'AVANCEE	MOTOREU DE L'AVANCEE	TRIMING BLOCK	TRIMMHALTER
CP	CAVIO PORTO	CABLE PORT	BRIDGE CABLE	CABLE BRIDGE
L.V	LAMPADA VERDE	LAMPE VERTE	GREEN LAMP	GRUENE LAMP
L.G	LAMPADA BRANCA	LAMPE BRANCA	BRIDGE LAMP	LAMPE BRANKE
M.V	MOTORE-VENTILLO	MOTEUR-VENTILATEUR	FAN MOTOR	ELEKTROMOTOR FAN
T1	TERMOSTATO DI LAVORO	THERMOSTAT DE TRAVAIL	WORKING THERMOSTAT	ARBEITEN THERMOSTAT
RC	RESISTENZA FOND	RESISTANCE DE FOND	DIVIN HEATING	WIDERSTANDSFOND
CO5	COMUTATORE FOND	COMBATEUR DE FOND	DIVIN SWITCH	SCHWITZ FONDEN
TS	TERMOSTATO DI SICUREZZA	THERMOSTAT DE SECURITE	SAFETY THERMOSTAT	SICHERHEITSTHERMOSTAT

SCHEMA ELETTRICO - WIRING DIAGRAM

FB912FGMG...



	ITALIANO	FRANCAIS	ENGLISH	DEUTSCH
M	HERSETTIERA	PANNEAU DE CONTROLE	TERMINAL BLOCK	ALEMENLEISTE
CP	CAVIO PONTE	CABLE POINT	BRIDGE CABLE	TABLE BRIDGE
CO	COMUTATORE	COMMUTATEUR	SWITCH	HAUPTSCHALTER
R1-R2	RESISTENZA	RESISTANCE	HEATING ELEMENT	BEHEIZUNGERPER
L	LAMPADA ARANCIONE	LAMPE ORANGE	ORANGE LAMP	ORANGE LAMPE
TS	TERMOSTATO DI SICUREZZA	THERMOSTAT DE SECURITE	SAFETY THERMOSTAT	SICHERHEITSTHERMOSTAT

