



**Di✓erso**

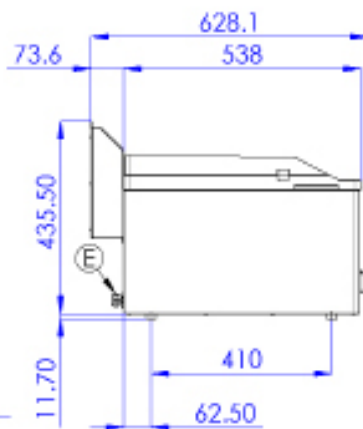
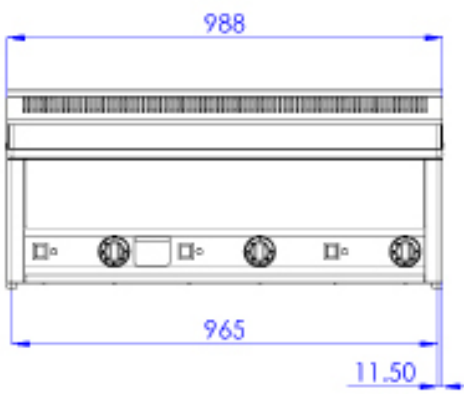
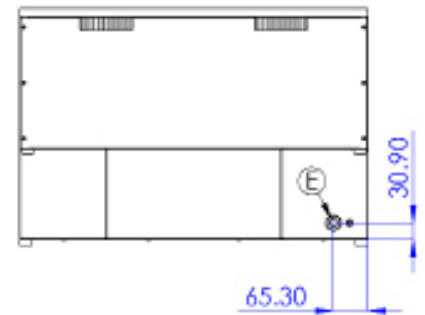
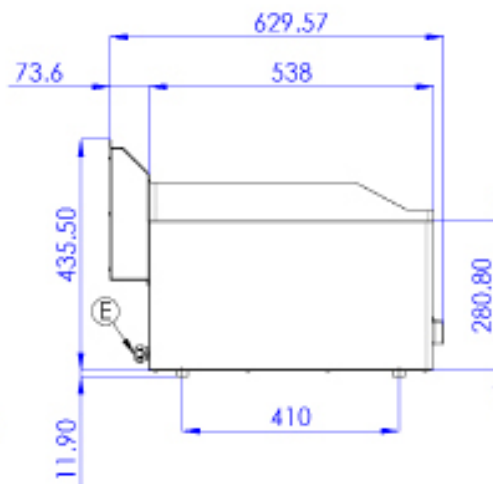
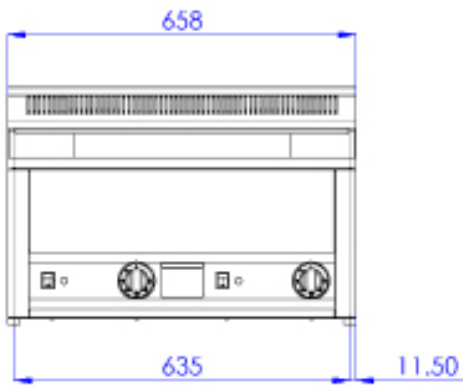
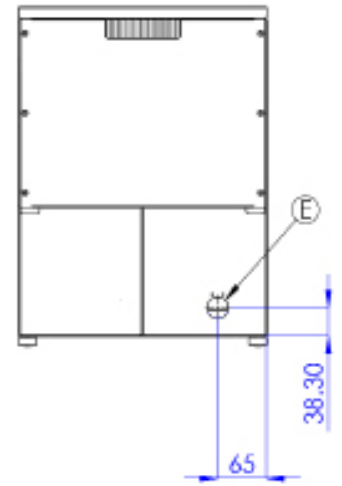
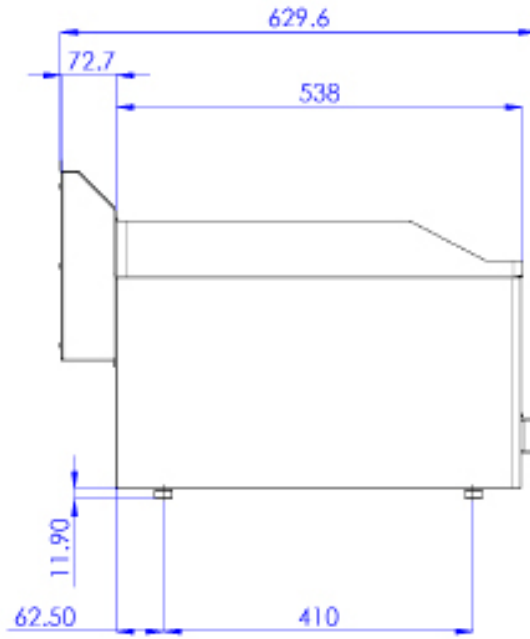
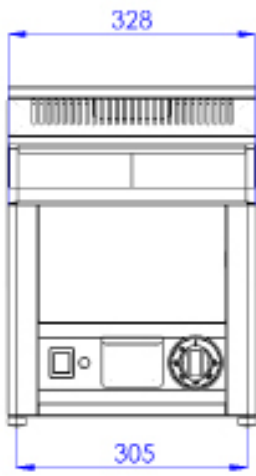


**MOD: WR-EPMD-27**

**Production code: FTHR 60 EL - 101030610**

**08/2025**

# FT\*- 30/60/90 EL



# FT\*- 30/60/90 E

