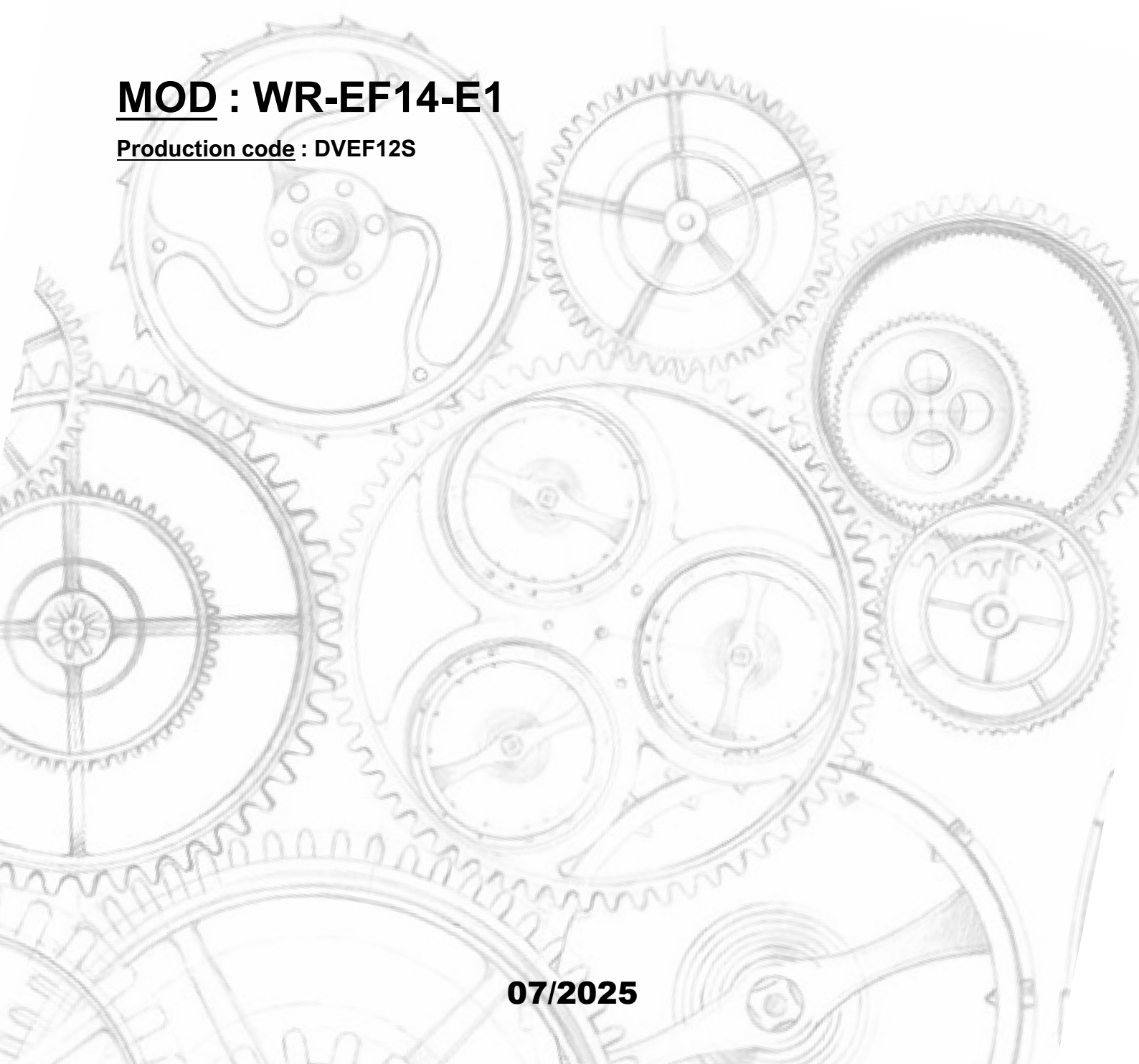




**DiVerso**

**MOD : WR-EF14-E1**

**Production code : DVEF12S**



**07/2025**

## 1.1 ELECTRIC TABLE FRYERS, ELECTRIC STANDING FRYERS AND FRYERS FOR CONFECTIONERY

MODEL	DIMENSIONS mm.		Tank Capacity Lt.	TANK N°	TOTAL POWER SUPPLY kW	NET WEIGHT kg.
	External	Basket				
	W x D x H/H max.	mm.				
<b>F14E/M</b>	375 x 655 x 845 / 985	235 x 275 x 105	12/14	1	9	29
<b>F14+14E/M</b>	750 x 655 x 845 / 985	235 x 275 x 105	12/14+12/14	2	9+9	55

\*Feeding Power: 3N AC 400V ; 3 AC 230V ; IN AC 230V ; 50/60 HZ

## 1.2 TECHNICAL CHARACTERISTICS ELECTRIC TABLE FRYERS

**STRUCTURE**

Manufacture in stainless **STEEL AISI 304**, with removable head.

**SAFETY TAP** for oil discharge and rubber feet.

**BASKET** made of bright chromed steel, with nylon handles and hoo you support basket.

**ADJUSTABLE THERMOSTAT** and **SAFETY THERMOSTAT**.

## 1.3 TECHNICAL CHARACTERISTICS ELECTRIC STANDING FRYERS

**STRUCTURE**

Manufacture in stainless **STEEL AISI 304**, with removable head.

**SAFETY TAP** for oil discharge and rubber feet adjustable.

**BASKET** made of bright chromed steel, with nylon handles.

**CONTAINER** with filter for recovery oil.

**ADJUSTABLE THERMOSTAT** and **SAFETY THERMOSTAT**.

“Cool zone” for the deposit of the residue of cooking.

## 1.4 TECHNICAL CHARACTERISTICS ELECTRIC TABLE FRYERS FOR CONFECTIONERY

**STRUCTURE**

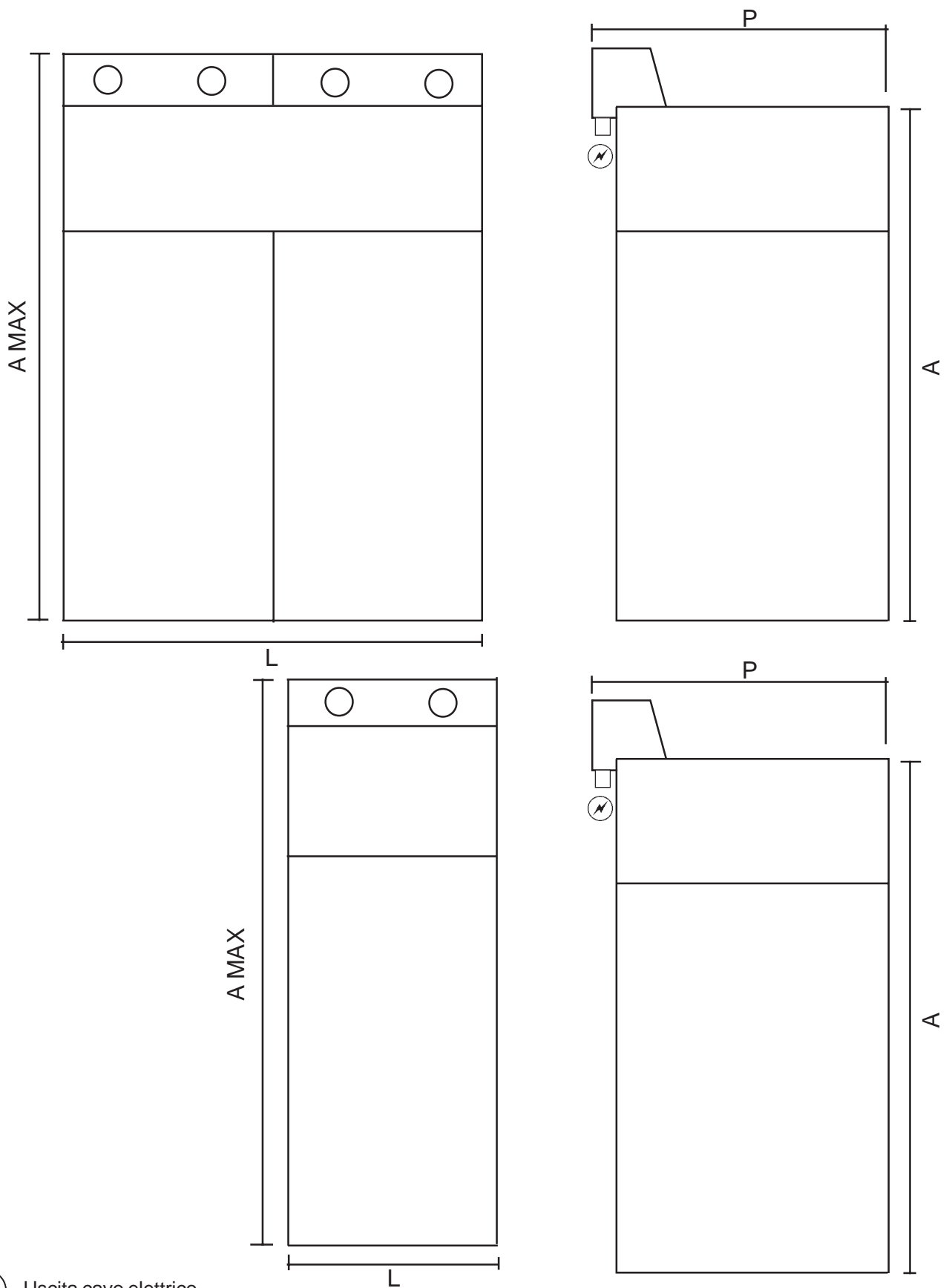
Manufacture in stainless **STEEL AISI 304**, with removable head.


**SAFETY TAP** for oil discharge and rubber feet.

Special **BASKET** excellent for confectionery, with nylon handles.

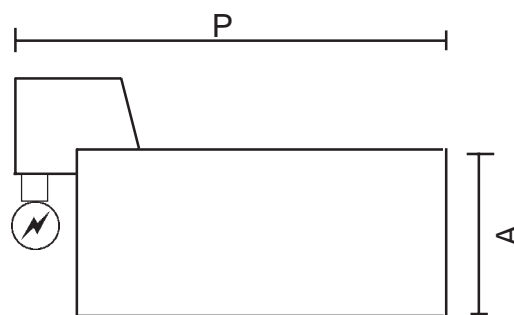
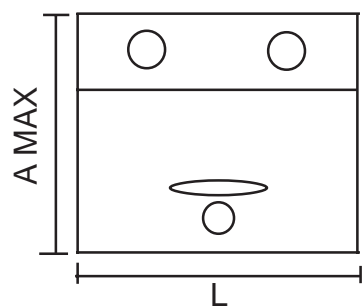
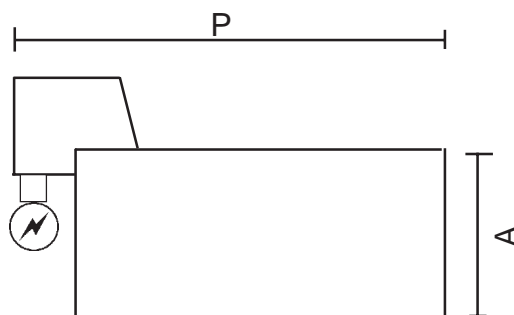
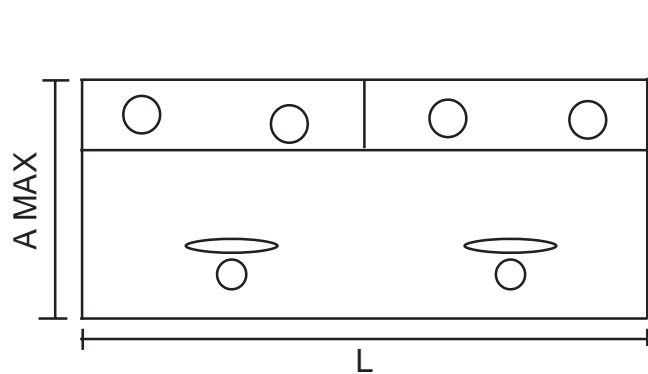
**ADJUSTABLE THERMOSTAT** and **SAFETY THERMOSTAT**.


**SCHEMI DI INSTALLAZIONE - INSTALLATION DIAGRAM**  
**SCHEMAS D'INSTALLATION - INSTALLATIONSPLÄNE**  
**ESQUEMAS DE INSTALACIÓN**




 Uscita cavo elettrico  
 Electric cable output  
 Sortie câble électrique  
 Elektrischkabel ausgang  
 Salida cable eléctrico

**SCHEMI DI INSTALLAZIONE - INSTALLATION DIAGRAM**  
**SCHEMAS D'INSTALLATION - INSTALLATIONSPLÄNE**  
**ESQUEMAS DE INSTALACIÓN**



-  Uscita cavo elettrico
- Electric cable output
- Sortie câble électrique
- Elektrischkabel ausgang
- Salida cable eléctrico