



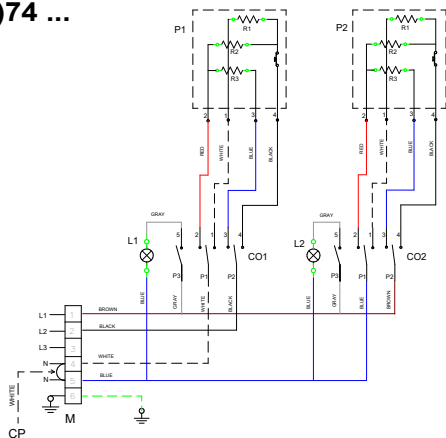
MOD : WR-E4PA-A3

Production code : DIMPR77A_

06/2025

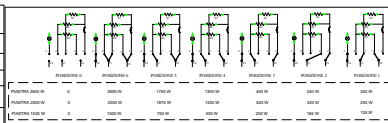
SCHEMA ELETTRICO - WIRING DIAGRAM

PR / PQ(R)74 ...

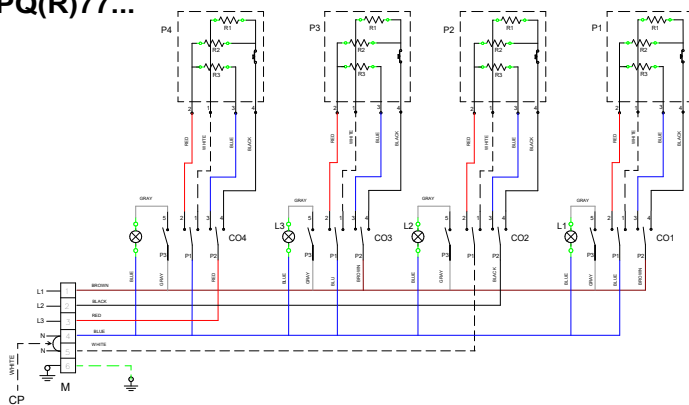


CO1-CO2

	ITALIANO	FRANCAIS	ENGLISH	DEUTSCH
M	ADDETTORIA	TERRAUX DE COMPT	TERMINAL BLOCK	LEITUNGSLEISTE
CP	CAVIO PUNTO	CABLE POINT	BRIDGE CABLE	CABLE BRIDGE
CO1-C2	COMBINATIONI	COMBINAISON	SWITCH	WECHSELSCHEITEL
L1-L2	LAMPAD ELETTRIC	LAMPAD ELECTROSE	ELECTRIC LAMP	LEUCHTLAMPEN
L3-L4	LAMPAD VERDE	LAMPES VERTE	GREEN LAMP	GRUENE LAMPEN

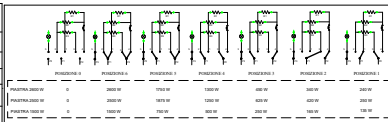


PR / PQ(R)77...

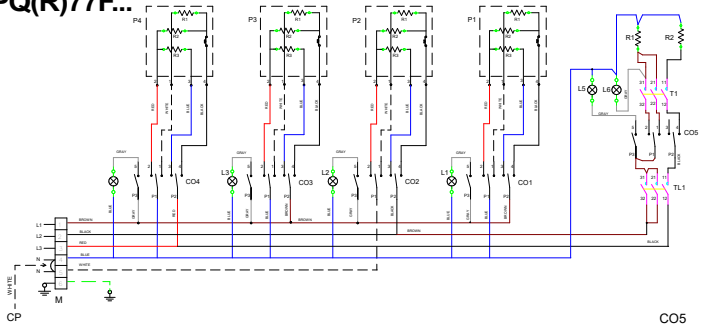


CO1-CO2-CO3-CO4

	ITALIANO	FRANCAIS	ENGLISH	DEUTSCH
M	BOZZETTIERIA	TERRAUX DE COMPT	TERMINAL BLOCK	LEITUNGSLEISTE
CP	CAVIO PUNTO	CABLE POINT	BRIDGE CABLE	CABLE BRIDGE
CO1-C4	COMBINATIONI	COMBINAISON	SWITCH	WECHSELSCHEITEL
L1-L4	LAMPAD ELETTRIC	LAMPAD ELECTROSE	ELECTRIC LAMP	LEUCHTLAMPEN
L1-L4	LAMPAD VERDE	LAMPES VERTE	GREEN LAMP	GRUENE LAMPEN

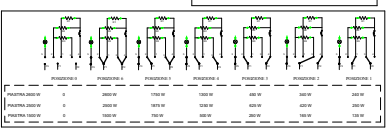


PR / PQ(R)77F...

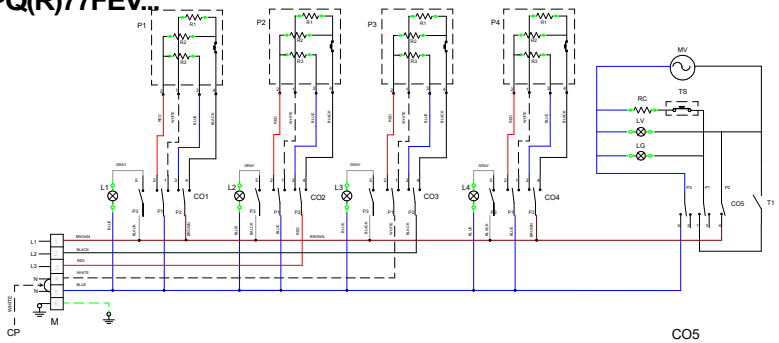


	ITALIANO	FRANCAIS	ENGLISH	DEUTSCH
CP	BRIDGE PONTÉ	BOUNDE DE BONTRE	TERMINAL BLOCK	TERMINALBLÖCKE
CP	CAVO PONTE	CABLE PONT	BRIDGE CABLE	BRÜCKE KABEL
CO1	COMUTATORE	COMMUTATEUR	SWITCH	UMSCHALTER
CO1-C4	COMUTATORE	COMMUTATEUR	SWITCH	UMSCHALTER
P1-P4	PISTOLE ELETTRICHE	PLAISSE ELECTRIQUE	ELECTRIC GUN	AKKUMULATEUR
R1	RESISTENZA SULLA	RESISTANCE	RESISTANCE	WIDERSTAND
R2	RESISTENZA SULLA	RESISTANCE SURL	SWELL RESISTANCE	WIDERSTAND SURL
L1-L5	LAMPAD VERDE	LAMPES VERTE	GREEN LAMP	GRÜNE LAMPEN
L6	LAMPAD VERDE	LAMPES VERDE	GREEN LAMP	GRÜNE LAMPEN
TL	TERMOSTATO DI LAVORO	THERMOSTAT DE TRAVAIL	WORKING THERMOSTAT	ARBEITSTHERMOSTAT
TL1	TERMOSTATO LAVORO	THERMOSTAT DE TRAVAIL	WORK THERMOSTAT	ARBEITSTHERMOSTAT

CO1-CO2-CO3-CO4

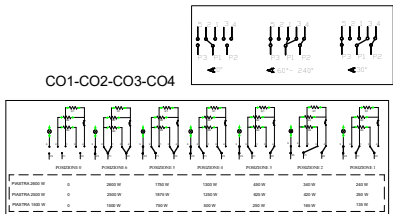


PR / PQ(R)77FEV...



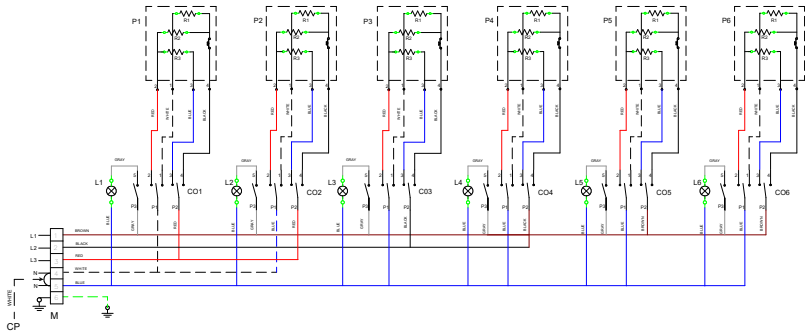
	ITALIANO	FRANCAIS	ENGLISH	DEUTSCH
CP	BRIDGE PONTÉ	BOUNDE DE BONTRE	TERMINAL BLOCK	TERMINALBLÖCKE
CP	CAVO PONTE	CABLE PONT	BRIDGE CABLE	BRÜCKE KABEL
CO1	COMUTATORE	COMMUTATEUR	SWITCH	UMSCHALTER
CO1-C4	COMUTATORE	COMMUTATEUR	SWITCH	UMSCHALTER
P1-P4	PISTOLE ELETTRICHE	PLAISSE ELECTRIQUE	ELECTRIC GUN	AKKUMULATEUR
R1	RESISTENZA SULLA	RESISTANCE	RESISTANCE	WIDERSTAND
R2	RESISTENZA SULLA	RESISTANCE SURL	SWELL RESISTANCE	WIDERSTAND SURL
L1-L5	LAMPAD VERDE	LAMPES VERTE	GREEN LAMP	GRÜNE LAMPEN
L6	LAMPAD VERDE	LAMPES VERDE	GREEN LAMP	GRÜNE LAMPEN
TL	TERMOSTATO DI LAVORO	THERMOSTAT DE TRAVAIL	WORKING THERMOSTAT	ARBEITSTHERMOSTAT
TL1	TERMOSTATO LAVORO	THERMOSTAT DE TRAVAIL	WORK THERMOSTAT	ARBEITSTHERMOSTAT
TS	TERMOSTATO TEMPERATURA	THERMOSTAT TEMPERATURE	TEMPERATURE THERMOSTAT	TEMPERATUR THERMOSTAT
MV	COMUTATORE	COMMUTATEUR	SWITCH	UMSCHALTER

CO1-CO2-CO3-CO4



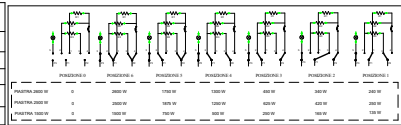
SCHEMA ELETTRICO - WIRING DIAGRAM

PR / PQ711...

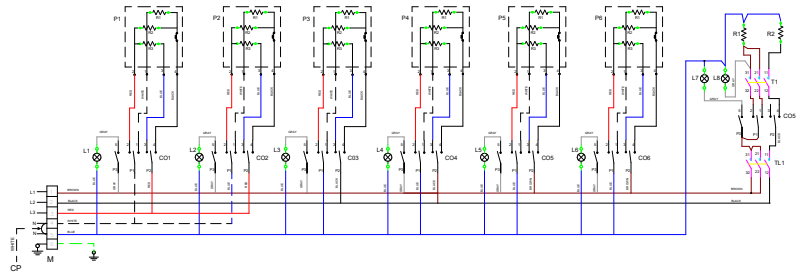


	ITALIANO	FRANCAIS	ENGLISH	DEUTSCH
M	INSERTEGGIA	TERMINAL DE CONTROL	TERMINAL BLOCK	STERMINELEISTE
CP	CAVIO FONTE	LAMPE FOUNT	BRIDGE BOARD	LAMPE BRIDGE
CO1-C6	COMUTATORE	COMMUTATEUR	SWITCH	UMSCHALTENDER
P1-P6	PISTINA ELETTRICA	PISTOLE ELECTRIQUE	ELECTRIC HEB	KOPFPLATTE
L1-L6	LAMPADA VERDE	LAMPE VERTE	GREEN LAMP	GRUENE LAMPE

CO1...-CO6

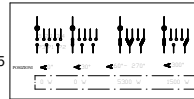


PR / PQ711F...

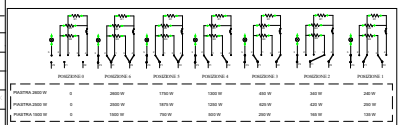


	ITALIANO	FRANCAIS	ENGLISH	DEUTSCH
M	INSERTEGGIA	TERMINAL DE CONTROL	TERMINAL BLOCK	STERMINELEISTE
CP	CAVIO FONTE	LAMPE FOUNT	BRIDGE BOARD	LAMPE BRIDGE
CO1-C6	COMUTATORE	COMMUTATEUR	SWITCH	UMSCHALTENDER
P1-P6	PISTINA ELETTRICA	PISTOLE ELECTRIQUE	ELECTRIC HEB	KOPFPLATTE
R1	RESISTENZA SABA	RESISTANCE	RESISTANCE	WIDERSTAND
R2	RESISTENZA GRILL	RESISTANCE GRILL	GRILL RESISTANCE	GRILLWIDERSTAND
L1-L7	LAMPADA VERDE	LAMPE VERTE	GREEN LAMP	GRUENE LAMPE
L8	LAMPADA ARANCIONE	LAMPE ORANGE	ORANGE LAMP	GRUENE LAMPE
T1	TERMOSTATO DI LAVORO	TERMOSTAT DE TRAVAIL	WORKING THERMOSTAT	TERMOSTAT DER WOHN
TL1	TERMOSTATO LIMITE	TERMOSTAT DE SECURITE	LIMIT THERMOSTAT	LIMIT THERMOSTAT

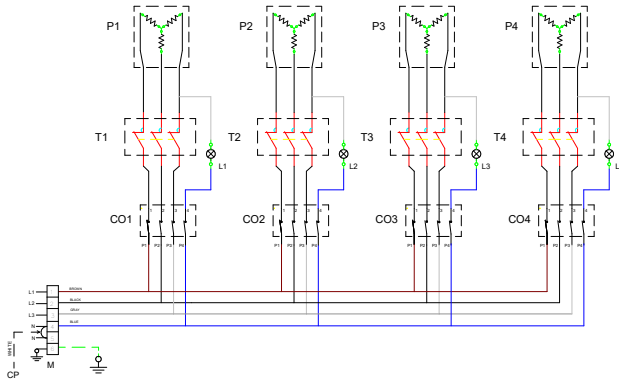
CO5



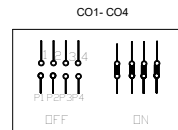
CO1...-CO6



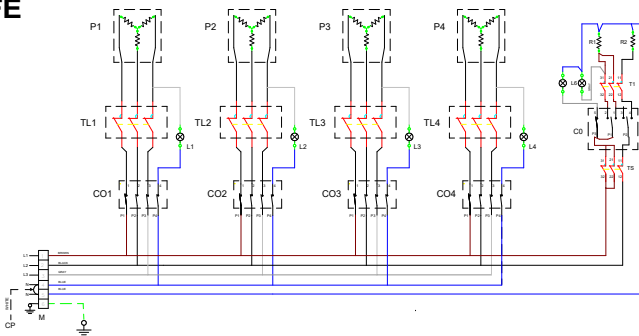
TPE77...



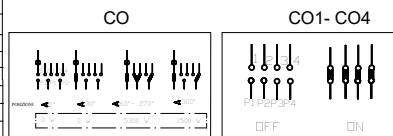
	ITALIANO	FRANCAIS	ENGLISH	DEUTSCH
M	RESETTERA	PENNEAU DE CONTROLÉ	TERMINAL BLOCK	KLEMMENLEISTE
CP	CAVIE PONTE	CABLE PONT	BRIDGE CABLE	CABLE BRIDGE
CO1-CO4	COMPLÉMENT	COMPLÉMENT	EXTENSION	RAUPTSCHALTER
T1-T4	THERMISTAT DE LAVOIR	THERMISTAT DE TRAVAIL	WORKING THERMISTAT	ARBEITSTHERMISTAT
P1-P4	RÉSISTANCE ÉLECTRIQUE	RÉSISTANCE ÉLECTRIQUE	HEATING ELEMENT	ELEKTROHEIZUNGSELEMENT
L1-L4	LAMPADA VERDE	LAMPÉ VERTE	GREEN LAMP	GRÜNE LAMPÉ



TPE77FE

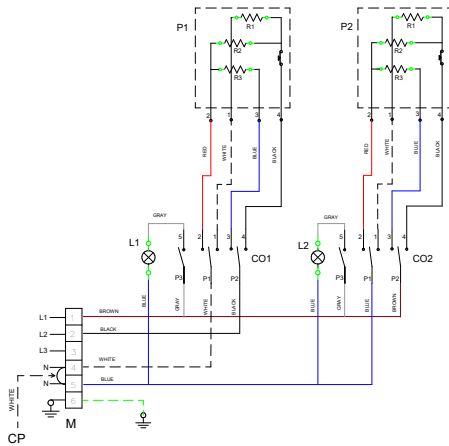


	ITALIANO	FRANCAIS	ENGLISH	DEUTSCH
M	RESETTERA	PENNEAU DE CONTROLÉ	TERMINAL BLOCK	KLEMMENLEISTE
CP	CAVIE PONTE	CABLE PONT	BRIDGE CABLE	CABLE BRIDGE
CO1-CO4	COMPLÉMENT	COMPLÉMENT	EXTENSION	RAUPTSCHALTER
TL1-TL4	THERMISTAT DE LAVOIR	THERMISTAT DE TRAVAIL	WORKING THERMISTAT	ARBEITSTHERMISTAT
P1-P4	RÉSISTANCE ÉLECTRIQUE	RÉSISTANCE ÉLECTRIQUE	HEATING ELEMENT	ELEKTROHEIZUNGSELEMENT
R1	RÉSISTANCE SÈCHE	RÉSISTANCE	DRYHEAT	STROHEHEIZUNG
R2	RÉSISTANCE DRILL	RÉSISTANCE DRILL	DRILL RESISTANCE	STROHEHEIZUNG DRILL
L1-L4	LAMPADA VERDE	LAMPÉ VERTE	GREEN LAMP	GRÜNE LAMPÉ
L6	LAMPADA VERDE	LAMPÉ VERTE	GREEN LAMP	GRÜNE LAMPÉ
T5	THERMISTAT LUMINE	THERMISTAT DE SÉCURITÉ	LAMP THERMISTAT	STRO THERMISTAT



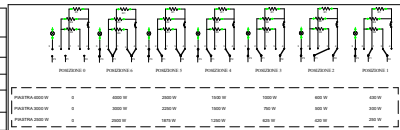
SCHEMA ELETTRICO - WIRING DIAGRAM

PQ(R)94...

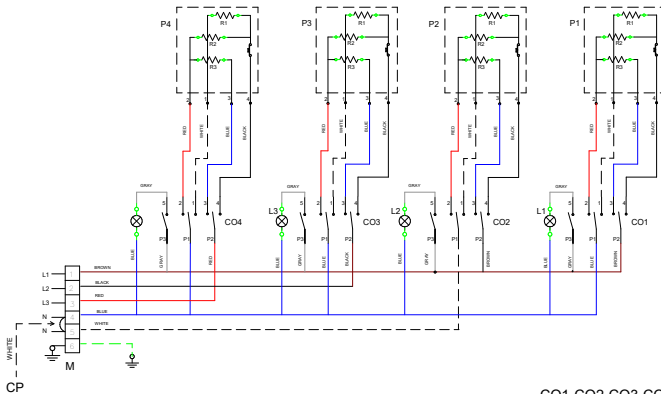


CO1-CO2-CO3-CO4

	ITALIANO	FRANCAIS	ENGLISH	DEUTSCH
M	ROSETTINA	TERMINAL DE CONTRÔLE	TERMINAL BLOCK	TERMINALELSTE
CP	CAVIO PUNTO	CABLE POINT	BRIDGE CABLE	CABLE BRIDGE
CO1-CO2	COMPARATORE	COMPARATEUR	SWITCH	SAUPTSCHEITEL
P1-P2	TRONCA ELETTRICA	BRAGLE ELECTRIQUE	ELECTRIC HOE	SCHNITTPLATTE
L1-L2	LAMPADA VERDE	LAMPE VERTE	GREEN LAMP	GRÜNE LAMPE

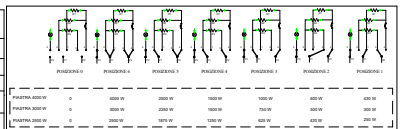


PQ(R)98...

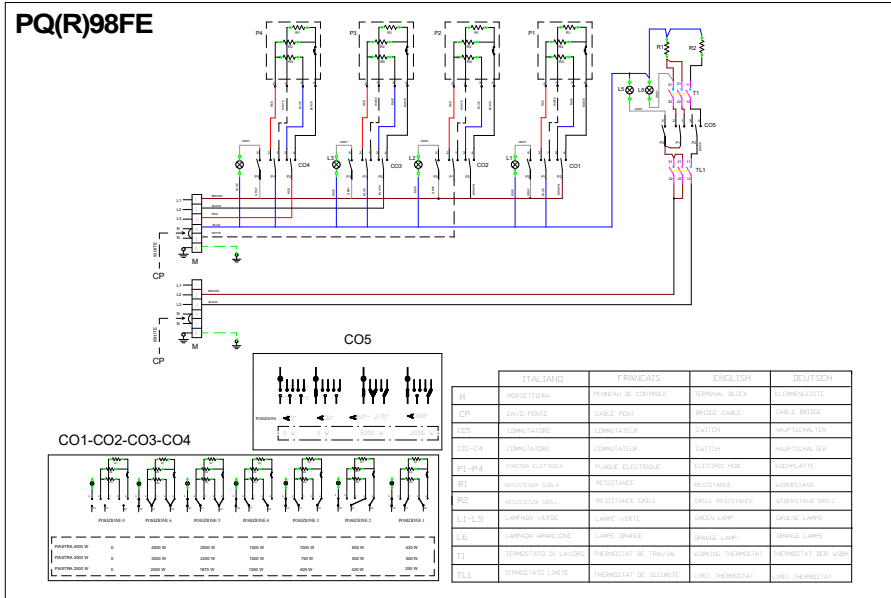


CO1-CO2-CO3-CO4

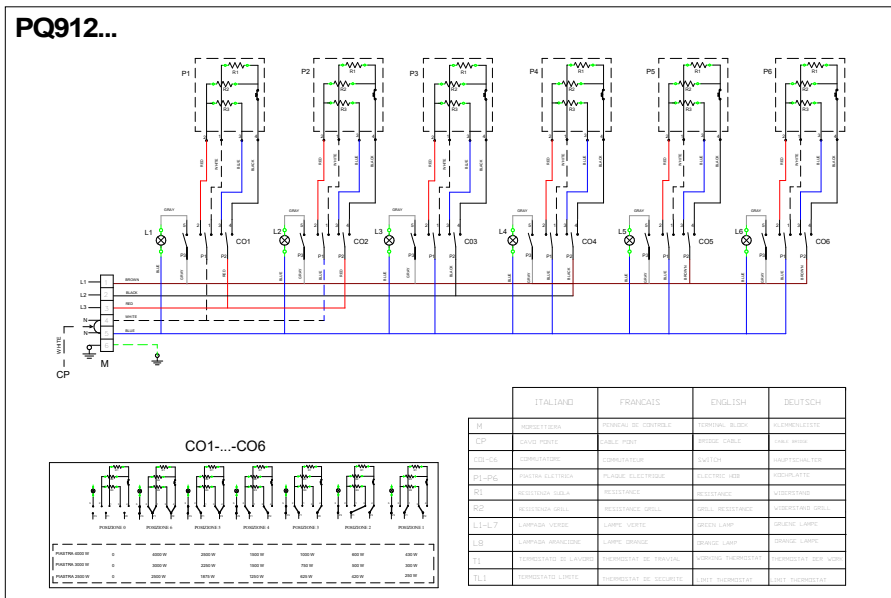
	ITALIANO	FRANCAIS	ENGLISH	DEUTSCH
M	ROSETTINA	TERMINAL DE CONTRÔLE	TERMINAL BLOCK	TERMINALELSTE
CP	CAVIO PUNTO	CABLE POINT	BRIDGE CABLE	CABLE BRIDGE
CO1-CO4	COMPARATORE	COMPARATEUR	SWITCH	SAUPTSCHEITEL
P1-P4	TRONCA ELETTRICA	BRAGLE ELECTRIQUE	ELECTRIC HOE	SCHNITTPLATTE
L1-L4	LAMPADA VERDE	LAMPE VERTE	GREEN LAMP	GRÜNE LAMPE



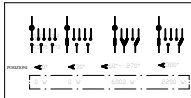
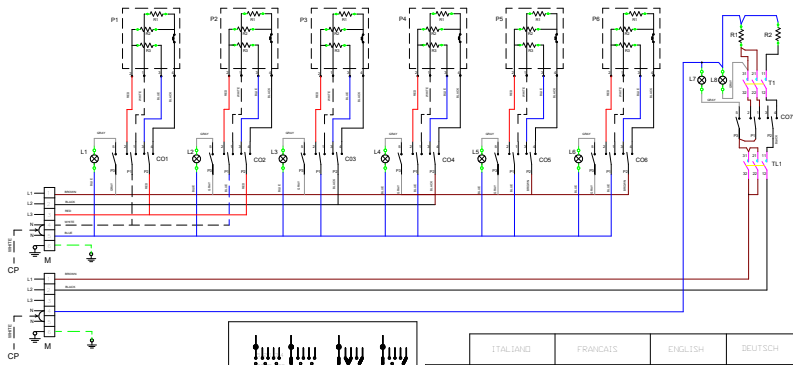
PQ(R)98FE



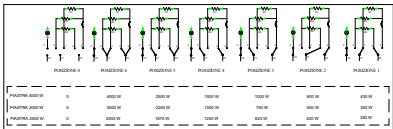
PQ912...



PQ912AFE

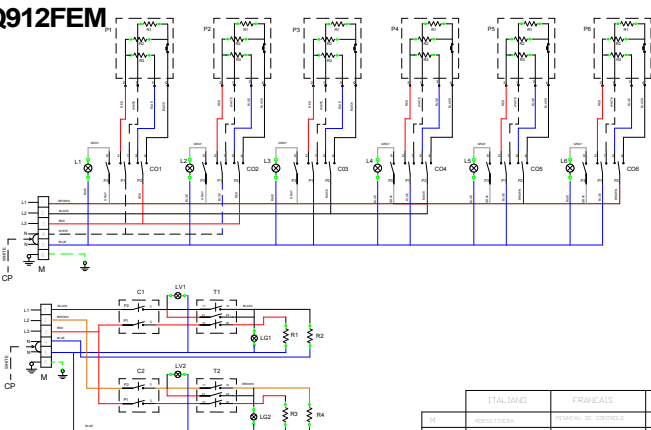


CO1...-CO6

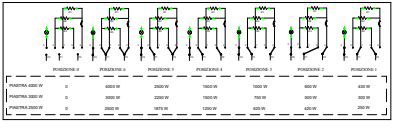


	ITALIANO	FRANCAIS	ENGLISH	DEUTSCH
M	TERMINI COSTA	TERMINI DE COTEVE	TERMINAL BLOCK	LEITERKOPF
CP	CAVIO APERTO	CABLE OPEN	OPEN CABLE	OFFEN KABEL
CO1	COMPUTAZIONE	COMPTAGEUR	COUNTER	ZÄHLGERÄT
CO1-CO6	COMPTAZIONE	COMPTAGEUR	COUNTER	ZÄHLGERÄT
P1-P6	PIRANO DEL FASE	PLAQUE ELECTRIQUE	ELECTRIC JOB	STROMWERK
R1	RESISTENZA LINEA	RESISTANCE	RESISTANCE	WIDERSTAND
R2	RESISTENZA NEUTRO	RESISTANCE NEUTRAL	NEUTRAL RESISTANCE	NEUTRALWIDERSTAND
L1-L3	LAMPARE LINEA	LAMPES LINEA	LINEA LAMP	LEITUNG LAMPE
L3	LAMPARE NEUTRO	LAMPES NEUTRAL	NEUTRAL LAMP	NEUTRAL LAMP
T1	TERMINAZIONE DI LINEA	TERMINATION DE LINEAUX	WORKING TERMINATION	ARBEITENDEN ENDE
T1-T3	TERMINAZIONE LINEA	TERMINATION DE SECOURS	LINE TERMINATION	REI TERMINATION

PQ912FEM



CO1...-CO6



	ITALIANO	FRANCAIS	ENGLISH	DEUTSCH
M	TERMINI COSTA	TERMINI DE COTEVE	TERMINAL BLOCK	LEITERKOPF
CP	CAVIO APERTO	CABLE OPEN	OPEN CABLE	OFFEN KABEL
CO1	COMPUTAZIONE	COMPTAGEUR	COUNTER	ZÄHLGERÄT
CO1-CO6	COMPTAZIONE	COMPTAGEUR	COUNTER	ZÄHLGERÄT
P1-P6	PIRANO DEL FASE	PLAQUE ELECTRIQUE	ELECTRIC JOB	STROMWERK
R1	RESISTENZA LINEA	RESISTANCE	RESISTANCE	WIDERSTAND
R2-R3	RESISTENZA NEUTRO	RESISTANCE NEUTRAL	NEUTRAL RESISTANCE	NEUTRALWIDERSTAND
L1-L3	LAMPARE LINEA	LAMPES LINEA	LINEA LAMP	LEITUNG LAMPE
L3	LAMPARE NEUTRO	LAMPES NEUTRAL	NEUTRAL LAMP	NEUTRAL LAMP
T1	TERMINAZIONE DI LINEA	TERMINATION DE LINEAUX	WORKING TERMINATION	ARBEITENDEN ENDE

SCHEMA ELETTRICO - WIRING DIAGRAM

