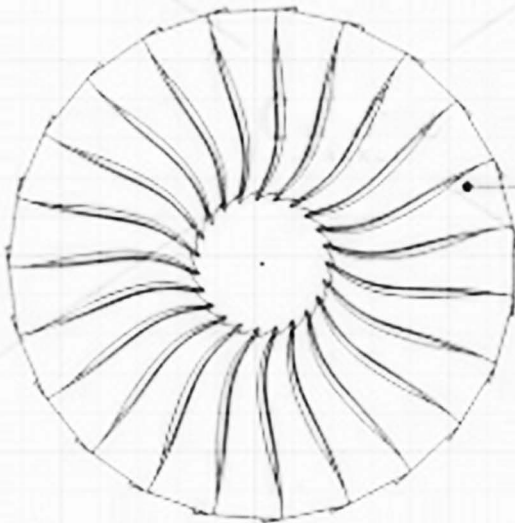
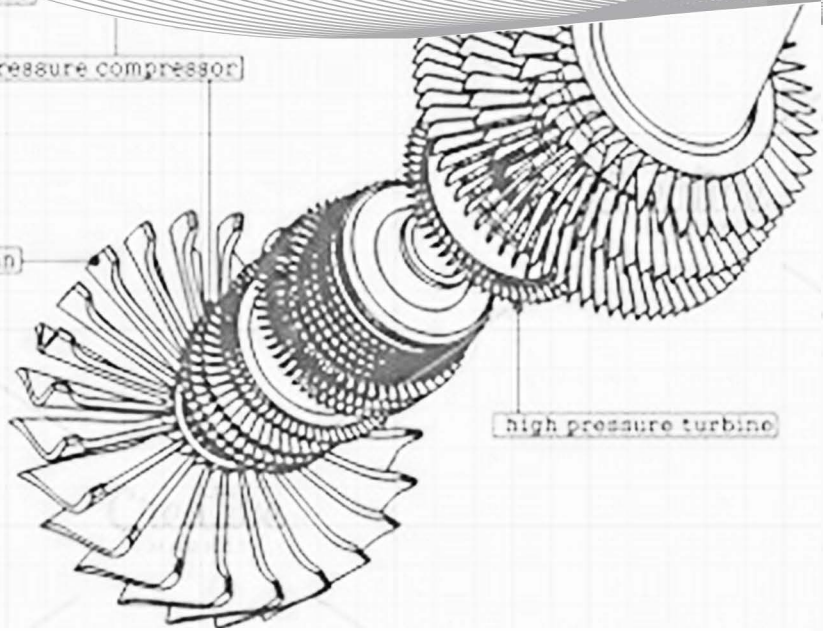


high pressure compressor

low pressure compressor



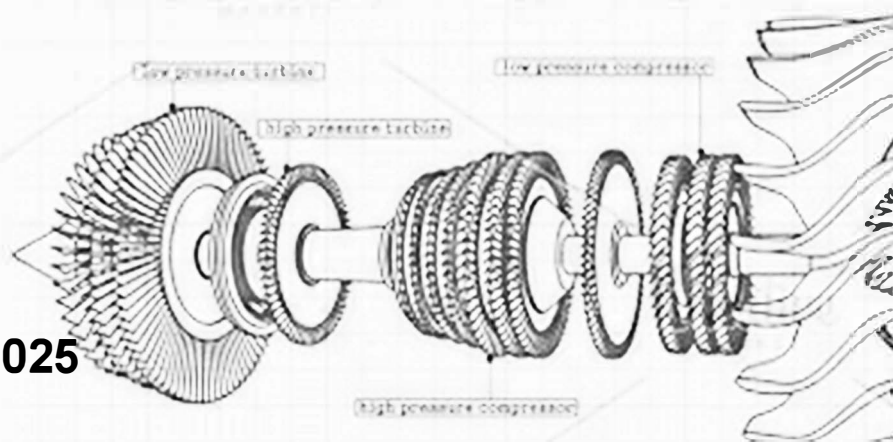
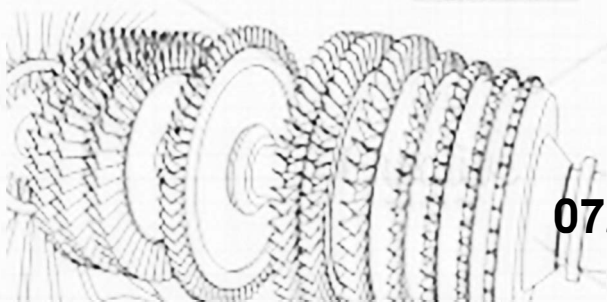
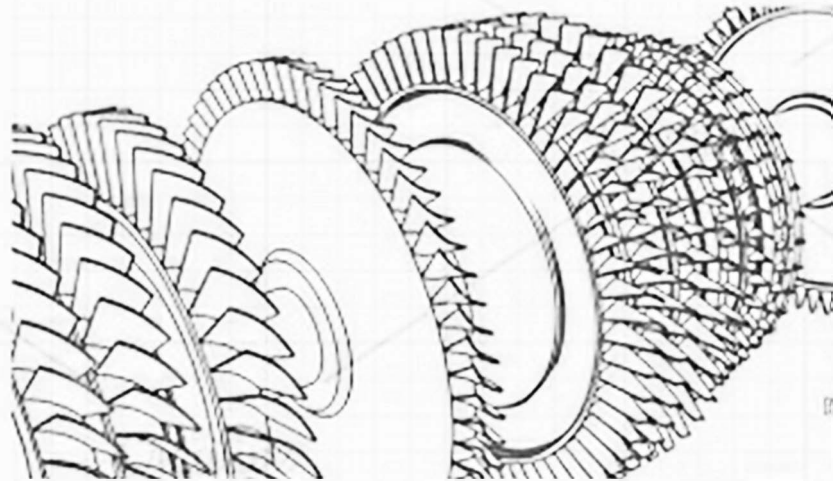
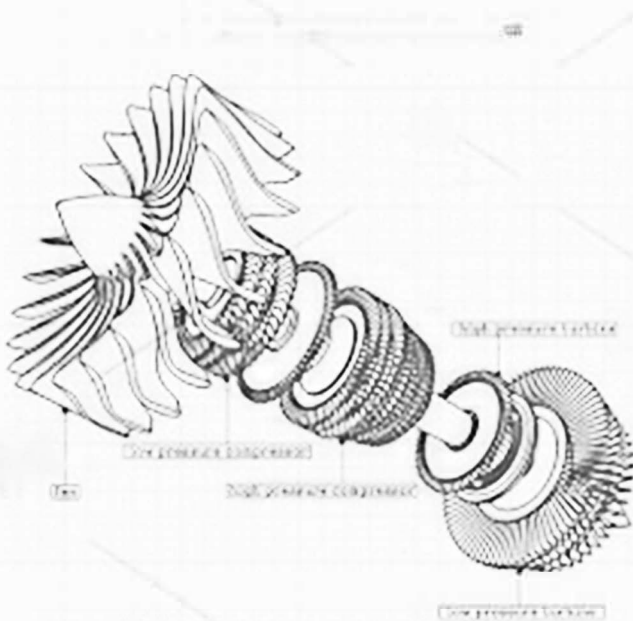
fan

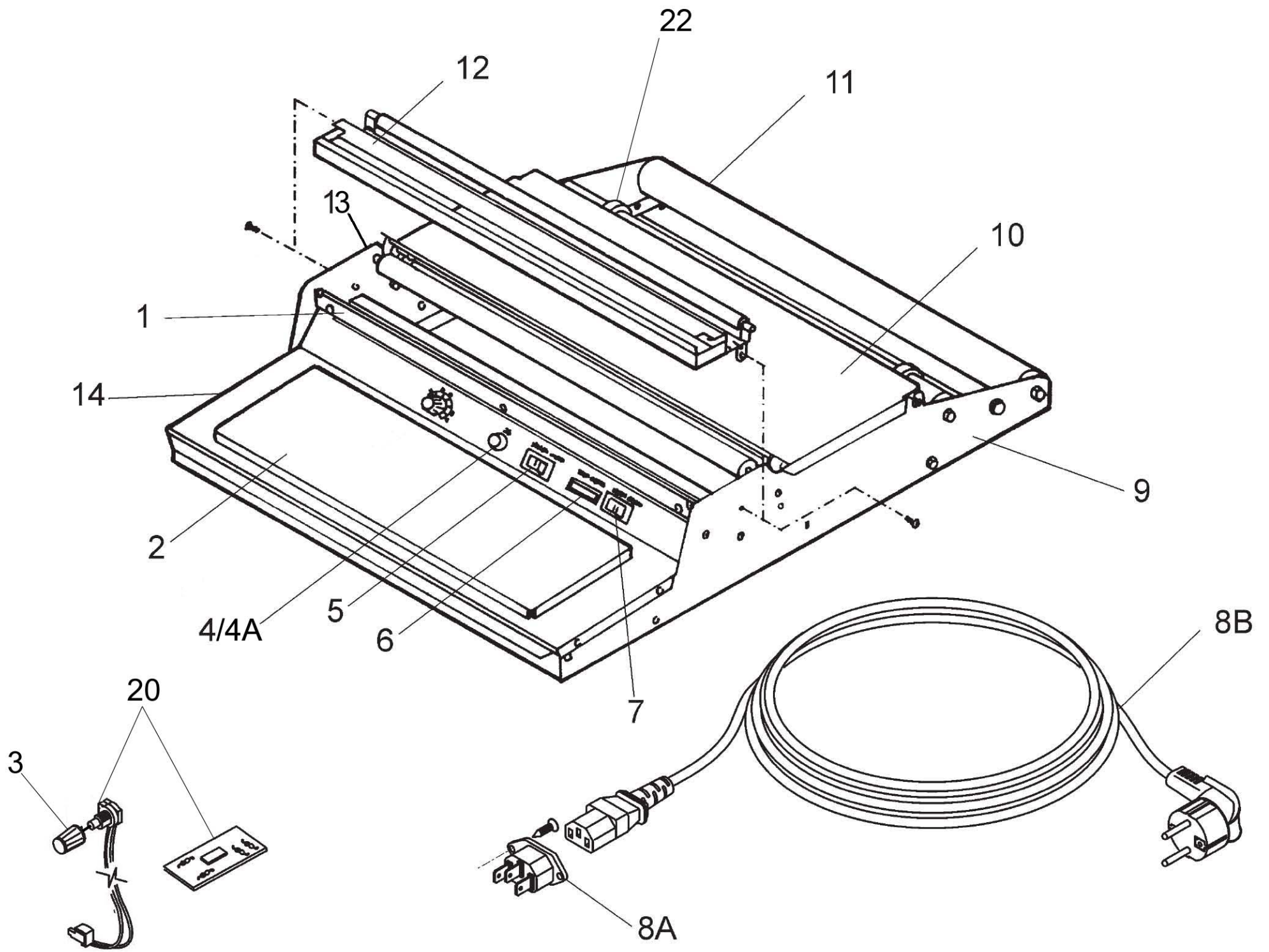


high pressure turbine

MOD : WR-DFE4-45

Production code : 40602300_





DFE-45 TAV. UNICA

Réf.	Nom produit	Code	Q
1	HEATING PROFILE FOR 45K	KODK001	1
2	HEATED SURFACE DIPA	KODK002	1
3	KNOB FOR 45 K	KODK003	1
04A	FUSE 5x20 1A 45K	KODK004A	10
4	FUSE HOLDER FOR 45K	KODK004	1
5	ON-OFF SWITCH for DIPA S	KODK005	1
6	SPY LAMP FOR DIPA SMALL	KODK006	1
7	ON-OFF SWITCH for DIPA S	KODK005	1
08B	POWER CORD FOR 45 K	KODK008B	1
08A	FEMALE RECEPTACLE FOR 45 K	KODK008A	1
9	LATERAL COVER DIPA S	KODK009	1
10	WORKING SURFACE _ DIPA	KODK010	1
11	RULLO POSTERIORE DIPA 45K	KODK011	1
12	WIRE COVER _ 45 K	KODK012	1
13	LATERAL COVER DIPA S	KODK009-1	1
14	FRONTAL COVER DIPA S	KODK014	1
20	PC BOARD+POTENTIOMETER FOR 45 K	KODK020	1
22	HEATED SURFACE DIPA 45K	KODK022	1