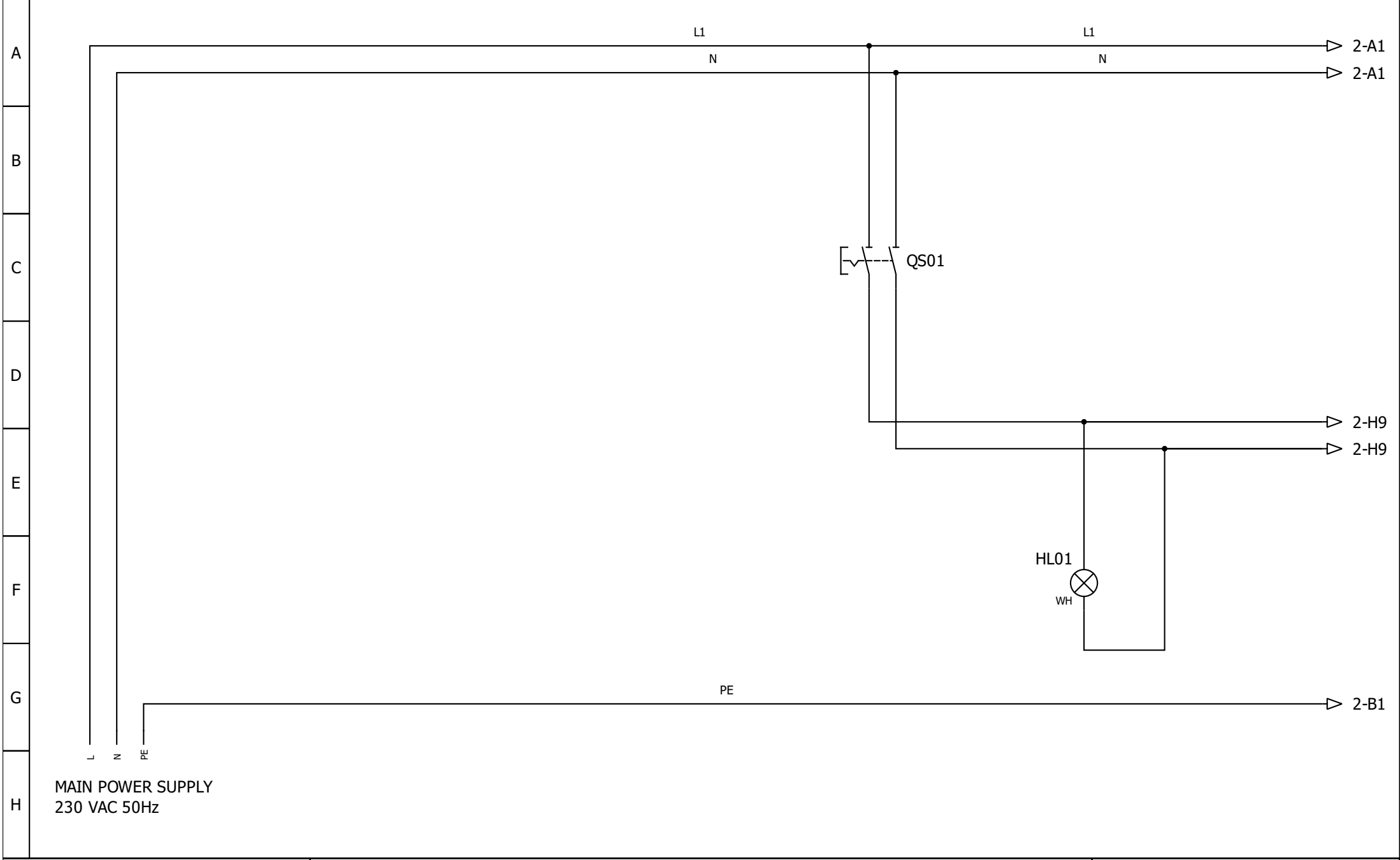


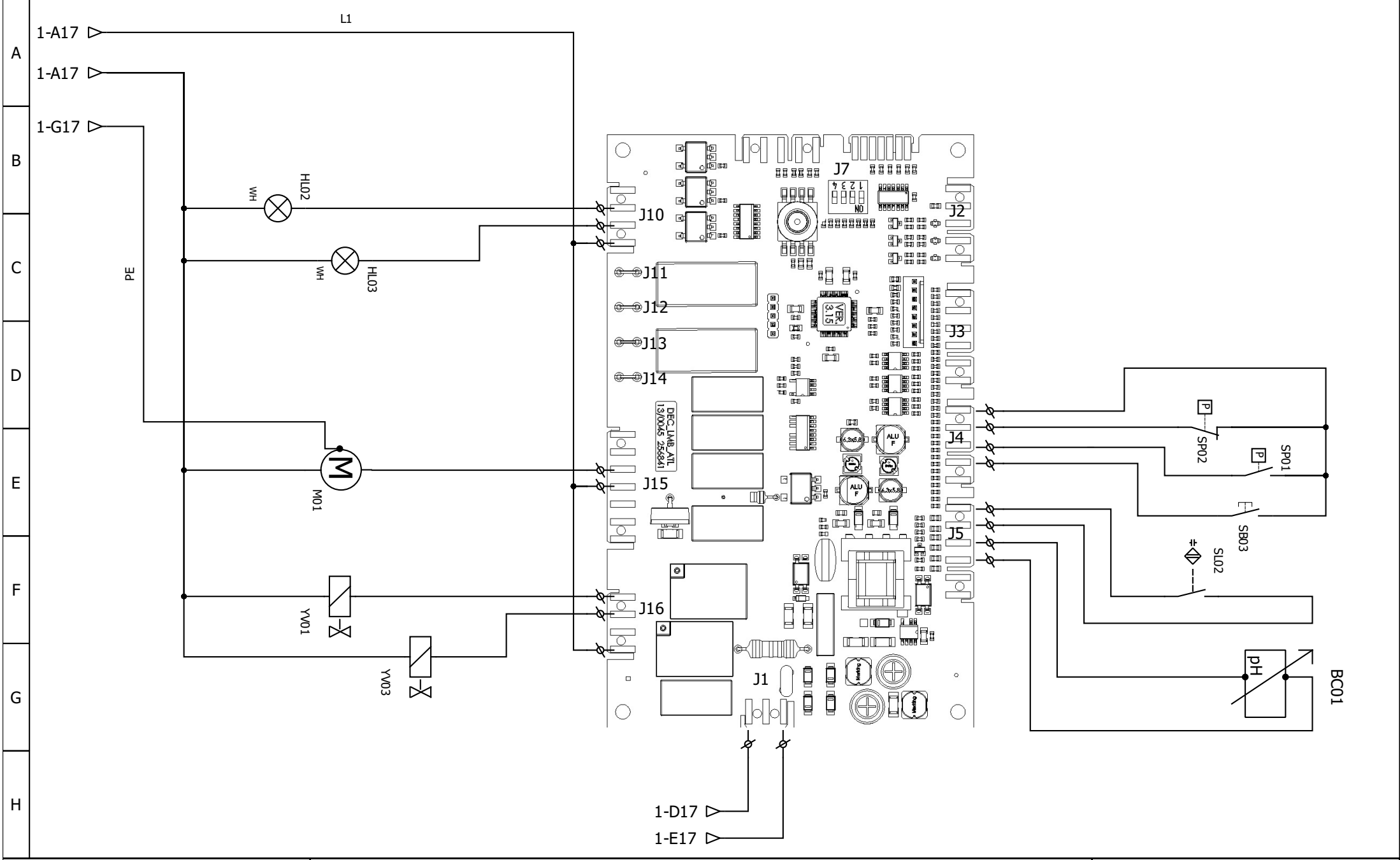


MOD : RS15/AT

Production code : B8020164 (C150A)

07/2025





A

B

C

D

E

F

G

H

CODE	IT	GB	D	F
BC01	Sonda di conducibilità	Conductivity Probe	Leitfähigkeitssonde	Sonde de conductivité
M01	Pompa principale	Main pump	Hauptpumpe	Pompe principale
SL02	Sensore anti-allagamento	Anti-flooding sensor	Hochwassersensor	Capteur anti-inondation
SP01	Pressostato di lavoro	Working pressure switch	Arbeitsdruckschalter	Pressostat de travail
SP02	Pressostato di sicurezza	Safety pressure switch	Sicherheitsdruckschalter	Pressostat de sécurité
QS01	Interuttore Generale	General switch	Allgemeiner Schalter	Interrupteur général
SB03	Pulsante di by-pass	By-pass Pushbutton	Druckknopf-Bypass	Bouton-poussoir de contournement
HL01	Spia Macchina On/Off	On/Off Machine Light	Ein / Aus Maschinenlicht	Lumière de machine marche / arrêt
HL02	Spia bypass	Bypass Light	Bypass-Licht	Lumière de contournement
HL03	Spia mancanza di acqua	Water less Light	Wasser weniger Licht	Arrosez moins de lumière
YV01	Elettrovalvola ingresso acqua	Solenoid Valve	Zulauf-Solenoidventil	electrovanne de charge
YV03	Elettrovalvola di by-pass	Bypass solenoid valve	Bypass Solenoidventil	Electrovanne de bypass