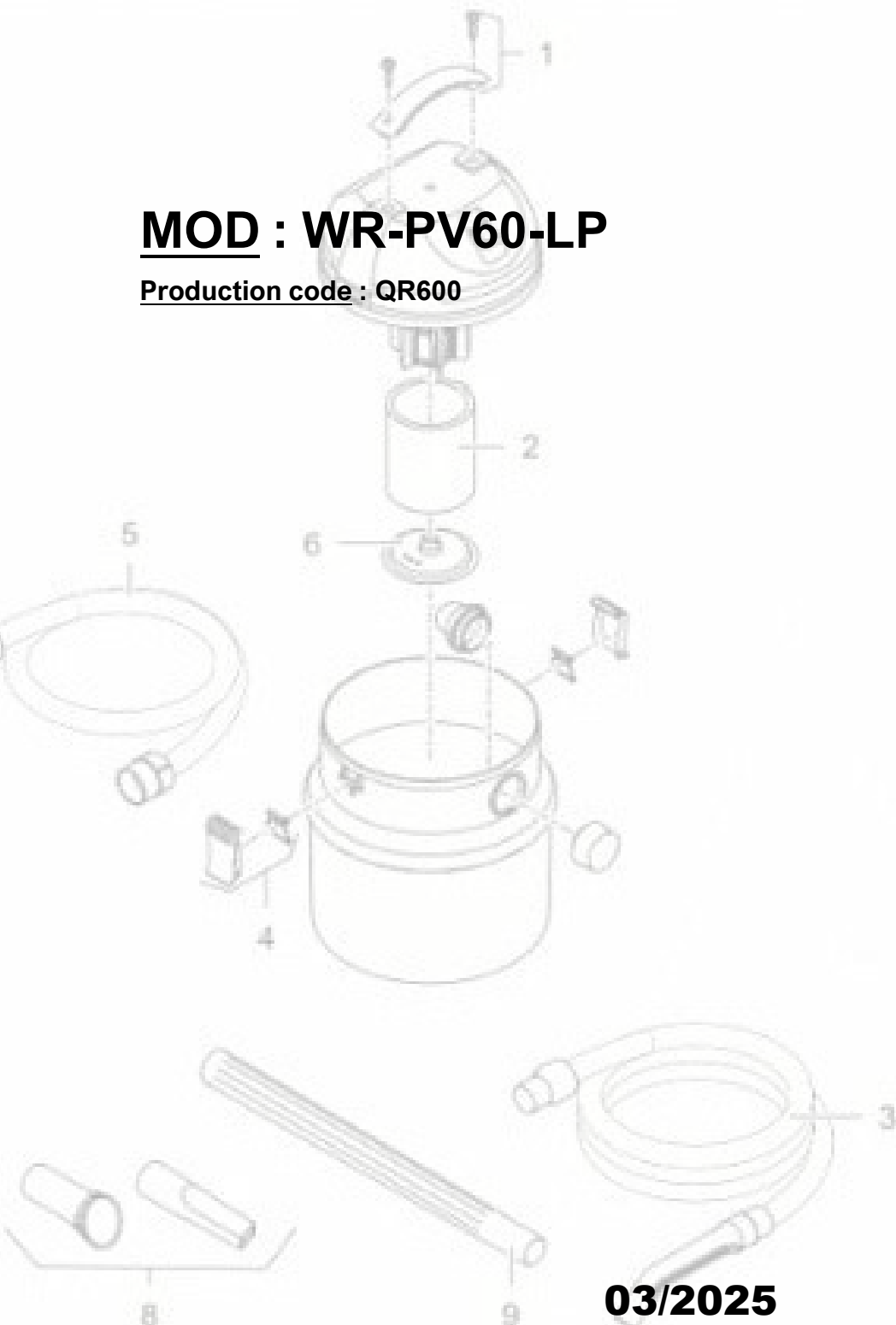
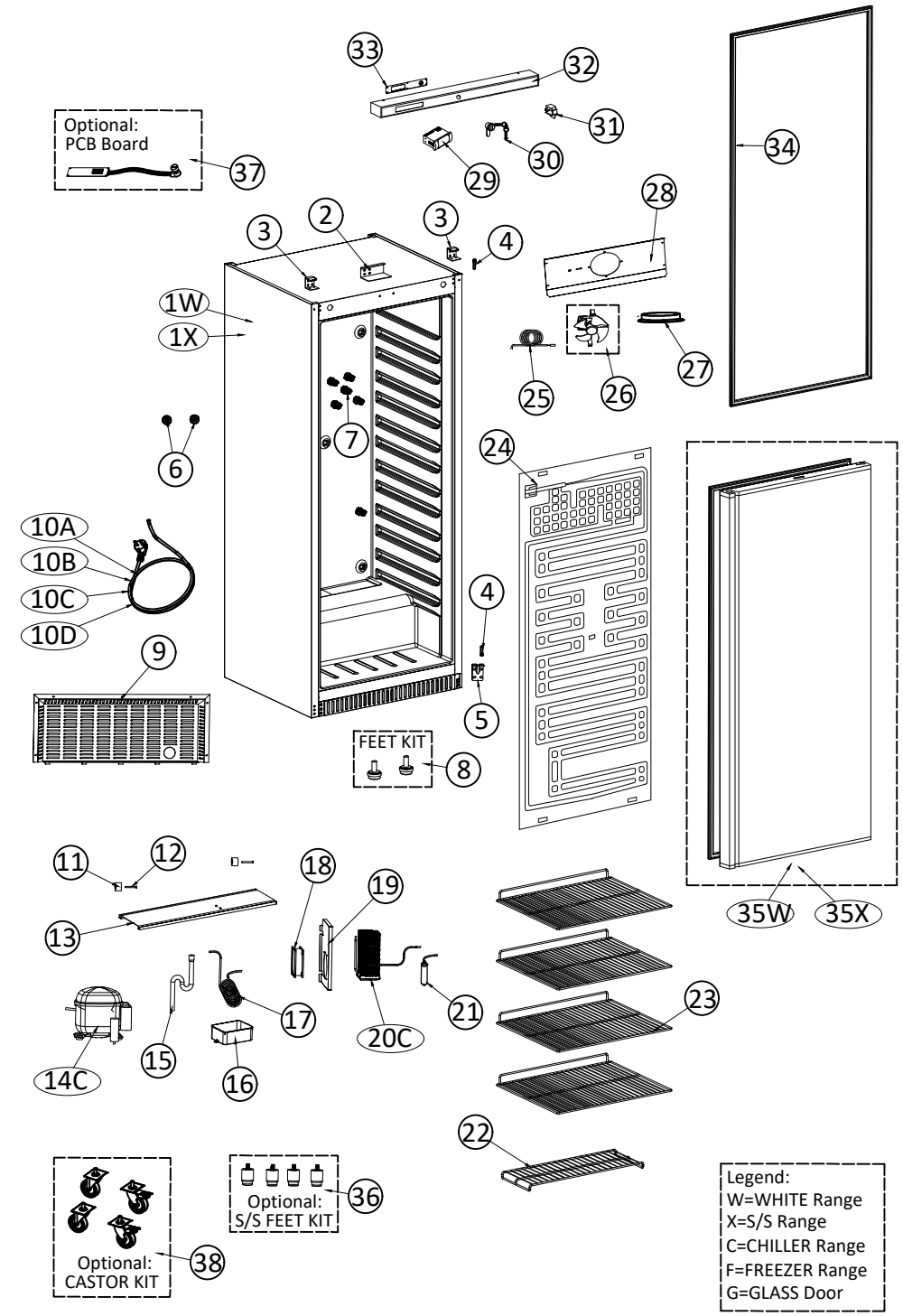


MOD : WR-PV60-LP

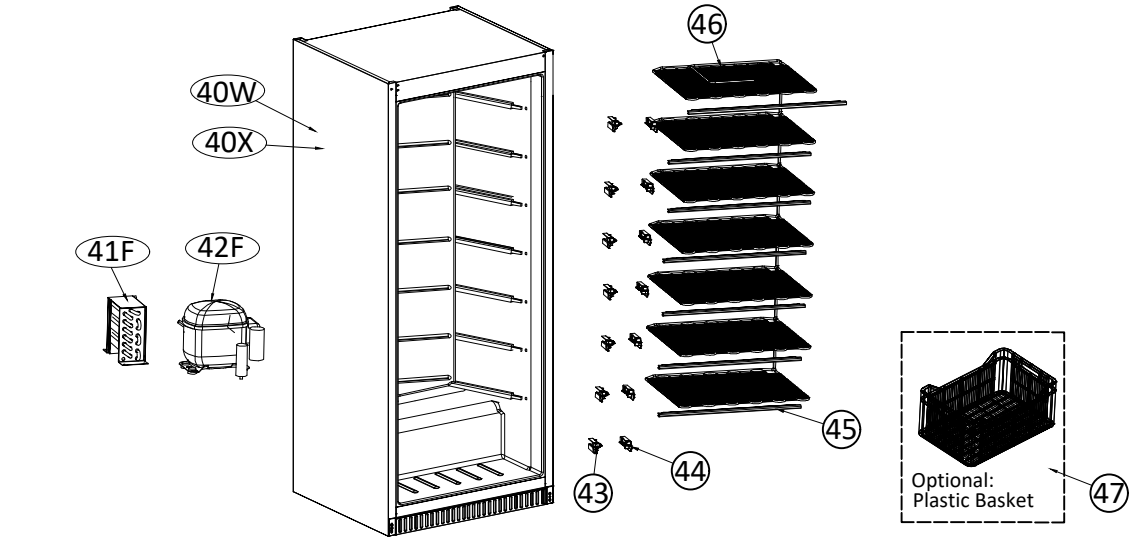
Production code : QR600



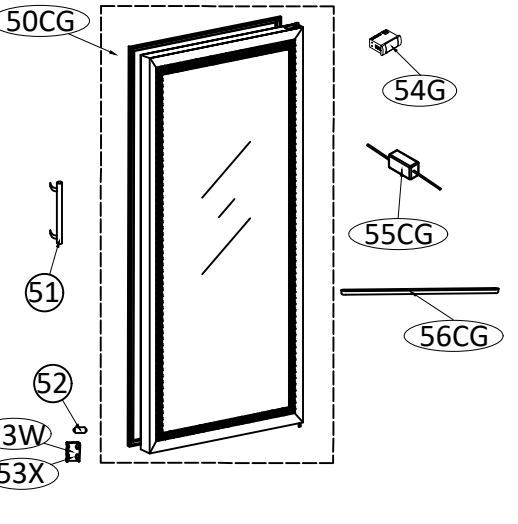
CHILLER SOLID DOORS RANGE



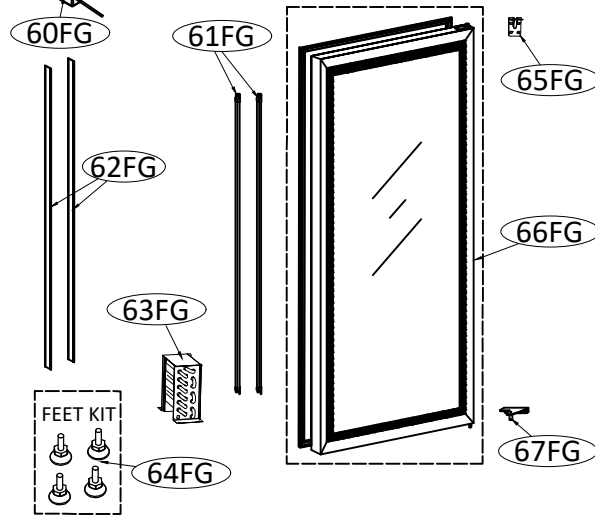
FREEZER SOLID DOORS RANGE (Different Spares)



CHILLER GLASS DOORS RANGE (Different Spares)



FREEZER GLASS DOORS RANGE (Different Spares)



DATE:2022/10/28	VERSION:A2	Add 400/600 (Freezer glass)		DESIGN BY: Alberto	
DATE:2021/11/22	VERSION:A1	Unify 400/600 (Glass/Freezer)		DESIGN BY: Alberto	
		SCALE	MODEL	Q.TY	REMARKS
		1:1	400 Lt. SERIES 600 Lt. SERIES		
MATERIAL: S4 / S1		QR/QRG/QN/QNG + X Range 400/600			
DESIGN BY: Camilla		EXPLODED VIEW			
APPROVED BY: Alberto		CATEGORY	TYPE	GROUP	PART N°
DATE:2019/04/15		EV	1CE9	A2	3300

Item Description		QR 600		
BOM Number		1		
Build Quantity		1		
Fixed Cost		0		
Remark				
Unit	pc			
BOM Components				
Lev. 0	Item Number	Descr	Quantity	u.m.
	EV1CE9A23300	QR/QN/QRG/QNG 400-600 - EXPLODED VIEW DRAWING (Ver.A2-S33)	1	pc
1W-WHITE	S41CE90A0001	QR 600 - ASSEMBLED FOAMED BODY - (WHITE Col.-S33)	1	pc
1X-STEEL	S41CF10A0001	QRX 600 - ASSEMBLED FOAMED BODY - (GRAY Col.-S33)	1	pc
	2 Z01CE91A0004	400-600 Lt. Series - LOCK INNER PLATE SUPPORT - (S33)	1	pc
	3 Z01CE92A0004	QR/QN/QRG 400-600-UPPER HINGE/QNG - LEFT UPPER HINGE - (S33)	2	pc
	4 S11CE92A0003	400-600 Lt. Series - UPPER/BOTTOM PIVOT FOR DOOD - (S33)	2	pc
	5 Z01CE92A0005	QR/QN/QRG 400-600-RIGHT/BOTTOM HINGE(Solid/ChillerGlass-S33)	1	pc
	6 P01CE99A0004	400-600 Lt. Series - REAR BUMPER BLOCK (type:KSW-155 - S33)	2	pc
	7 P01CE97A0003	QR/QRX 400-600 - INNER ROLL-BOND EVAPORATOR SUPPORT - (S33)	5	pc
	8 KITFT1CE9A00	QR/QRX/QN/QNX 400-600 - FEET KIT (N.2 FEET M8*45 - S33)	1	pc
	9 S41CE99A0003	600 Lt. Series - REAR ENGINE ROOM PANEL - (S33)	1	pc
	10A E25EUB307525	POWER CORD 3x0,75 mmq - EU PLUG - BLACK COLOR 2.5 Mt	1	pc
	10B E25UKB307530	POWER CORD 3x0,75 mmq - UK PLUG - BLACK COLOR 3.0 Mt	1	pc
	10C E25AUB307525	POWER CORD 3x0,75 mmq - AUSTRALIAN PLUG - BLACK COLOR 2,5 Mt	1	pc
	10D E25INB307525	POWER CORD 3x0,75 mmq - INDIA PLUG - BLACK COLOR 2.5 Mt	1	pc
	11 P01CE93A0004	QR/QRX/QN/QNX 400-600 - REAR ROLLER - (Diam.35x24.5mm-S33)	2	pc
	12 Z01CE93A0005	QR/QRX/QN/QNX 400-600 - PIN FOR REAR ROLLER - (S33)	2	pc
	13 Z01CE93A0001	600 Lt.Series- ENGINE PLATE - (S33)	1	pc
14C-CHILLER A	E27B6HZ0000	HTH14AA COMP.ZEL/ACC+ELECT KIT R600a-220/240V 50Hz	1	pc
14C-CHILLER B	E27B6I2H0000	HYE131MKUa COMP. HUAYI R600a-220/240V 50Hz-5/16Hp - RSCR:	1	pc
	15 P06AB30A0024	RC 300 - QR/CR 350 - QR 400-600 - RUBBER WATER TRAY PIPE	1	pc
	16 P01CE93A0003	QR/QRX 400-600 - WATER TRAY - (Dim. 210x58.5mm - S33)	1	pc
	17 C01CE96A0001	QR/QRX 600 - EVAPORATION DISCHARGE PIPE - (Diam.8 - S33)	1	pc
	18 E17D1A161400	SF1238HA2 SOTOP FAN: 230V;50/60Hz; CABLE LENGHT 280mm	1	pc
	19 Z01CE93A0002	QR/QRX 400-600 - CONDENSER FAN HOLDER PLATE - (S33)	1	pc
20C-CHILLER	I01CE98A0001	QR/QRX 400-600 - WIRE CONDENSER - (Chiller SOLID door - S33)	1	pc
	21 C01CE96A0002	QR/QRX/QN/QNX 400-600 - DRIER FILTER - (S33)	1	pc
	22 I01CE99A0002	QR/QRX 600 - BOTTOM SHELF - (645x320mm - S33)	1	pc
	23 I01CE99A0001	QR/QRX 600 Series - GN2/1 SHELF - (645x510m - S33)	4	pc
	24 A01CE97A0001	QR/QRX 600 - ROLL BOND EVAPORATOR+CAPILLARY (White Col-S33)	1	pc
	25 E211CE930001	QR/QRX/QN/QNX 400-600 - INNER PROBE NTC - (White - S33)	1	pc
	26 E17B5A050006	ZYD-2J ASSIALFAN + BLADE (150mm/28") + FAN BRACKET - (S33)	1	pc
	27 P01CE97A0004	QR/QRX 400-600 - SAFETY GRID FOR EVAPORATOR FAN - (S33)	1	pc
	28 S41CE97A0002	QR/QRX 600 - EVAPORATOR FIXING BOARD (White Col-S33)	1	pc
	29 E20A121C0D01	XR02CX-5N4C7 DIXELL THERMOSTAT (DX-XOLICCBVJ5S1-100)	1	pc
	30 Z01CE91A0002	400-600 Lt. Series - LOCK+N.2 Keys - (S33)	1	pc
	31 E2306WH00004	KAN3-1 DOOR SWITCH (2P-WHITE) 250VAC-0.5A; (NC)	1	pc
	32 P01CE91A0001	600 Lt. Series - UPPER FRONT PANEL (WHITE Col. - S33)	1	pc
	33 P01CE91A0003	400-600 Lt. Series - THERMOSTAT MOUNTING BOARD - (S33)	1	pc
	34 R01CE92A0002	600Lt.SERIES - DOOR GASKET for SOLID/GLASS (GRAY Col.-S33)	1	pc
35W-WHITE	S41CE92A0001	QR/QN 600 - DOOR SET (Inc.Gasket - WHITE Col.-S33)	1	pc
35X-STEEL	S11CE92A0001	QRX/QNX 600 - DOOR SET (Inc.Gasket - S/S Col.-S33)	1	pc
	36 KITFT1CE9B00	QR/QRX/QN/QNX 400-600 - HIGH S/S FEET KIT (N.4 pcs - S33)	1	pc
	37 E301CE9000001	QR/QRX 400-600 - MAIN PCB BOARD for CHILLER - (S33)	1	pc
	38 KITCS1CE3A00	QR ABS Range CASTOR KIT (N.2 Standard + 2 With Brakes-S33)	1	pc
40W-WHITE	S41CF30A0001	QN 600 - ASSEMBLED FOAMED BODY - (WHITE Col.-S33)	1	pc
40X-STEEL	S41CF40A0001	QNX 600 - ASSEMBLED FOAMED BODY - (GRAY Col.-S33)	1	pc
41F-FREEZER	C01CF38A0001	QN 400-600 - COPPER FINS CONDENSER (FREEZER Solid Door- S33)	1	pc
42F-FREEZER	E27B253H0000	NUH90LA - COMP.HUAYI R290-220-240V 50Hz-1.5 HP CSIR:	1	pc
	43 P01CF37A0003	QN/QNG 400-600 - EVAPORATOR LEFT SUPPORT (White Col.- S33)	7	pc
	44 P01CF37A0004	QN/QNG 400-600 - EVAPORATOR RIGHT SUPPORT (White Col.- S33)	7	pc
	45 P01CF37A0002	QN/QNX 600 - EVAPORATOR FRONTAL STRIPES (White Color - S33)	7	pc
	46 I01CF37A0001	QN/QNX 600 - SHELVES EVAPORATOR (White Color - S33)	1	pc
	47 P01AE69A0005	FREEZER 613 - 407 Range - BASKET (Dim.440x290x200mm)	1	pc
50CG-CHILLER/GLASS	A01CF02A0001	QRG/QRXG 600 Range - ALUMINIUM DOOR SET (Inc.Gasket - S33)	1	pc

51	A01CE42A0002	QRG/QNG 400/600 Range - ALUMINIUM CYLIND.HANDLE (Glass-S33)	1	pc
52	N01CF02A0005	QRG/QNG 400-600 Ser. - ROLLER FOR GLASS DOOR SUPPORT - (S33)	1	pc
53W-WHITE	Z01CF02A0004	QRG/QNG 400-600 -LEFT/BOTTOM GLASS DOOR SUPP.(WHITE Col.S33)	1	pc
53X-STEEL	Z01CF22A0002	QRG/QRXG 400-600 -LEFT/BOTTOM GLASS DOOR SUPP.(GRAY Col.S33)	1	pc
54G-GLASS	E20A122C0D01	XR03CX-5N4C7 DIXELL THERM. (DX-X0LIFEVH5S1-I00)	1	pc
55CG-CHILLER/GLASS	E26A10240130	LED DRIVER MOD. 11G2-08123A-C00-0 (Output 24Vdc/12.6W)	1	pc
56CG-CHILLER/GLASS	E22BL1063120	LED STRIPES LAMP-24VDC 10W - N°10 HIGH BRIGHT	1	pc
60FG-FREEZER/GLASS	E26A10400210	LED DRIVER MOD.11G2-18243A-C00-0 (Output 54/72Vdc/21.6W)	2	pc
61FG-FREEZER/GLASS	E22EL1160200	LED STRIPES LAMP: 40/72Vdc-20W / 100 LED Point	2	pc
62FG-FREEZER/GLASS	P01CX12A0004	QNG/QNXG 400-600 - FIXING CLIP for VERTICAL LED LIGHT -(S33)	2	pc
63FG-FREEZER/GLASS	C01CX38A0001	QNG 400-600 - COPPER FINS CONDENSER (FREEZER Glass Door-S33)	1	pc
64FG-FREEZER/GLASS	KITFT1CX1A00	QNG/QNXG 400-600 - FEET KIT (N.4 FEET M10*85 - S33)	1	pc
65FG-FREEZER/GLASS	Z01CX12A0002	QNG/QNXG 400-600 - RIGHT UPPER HINGE (Hole for Wire - S33)	1	pc
66FG-FREEZER/GLASS	A01CX32A0001	QNG/QNXG 600 - HEATED ALUMINIUM DOOR SET (Inc.Gasket - S33)	1	pc
67FG-FREEZER/GLASS	Z01CX12A0003	QNG/QNXG 400-600 - RIGHT/BOTTOM HINGE (Freezer Glass - S33)	1	pc