

04/2016

Mod: SDGT/10-CL

Production code: 646572



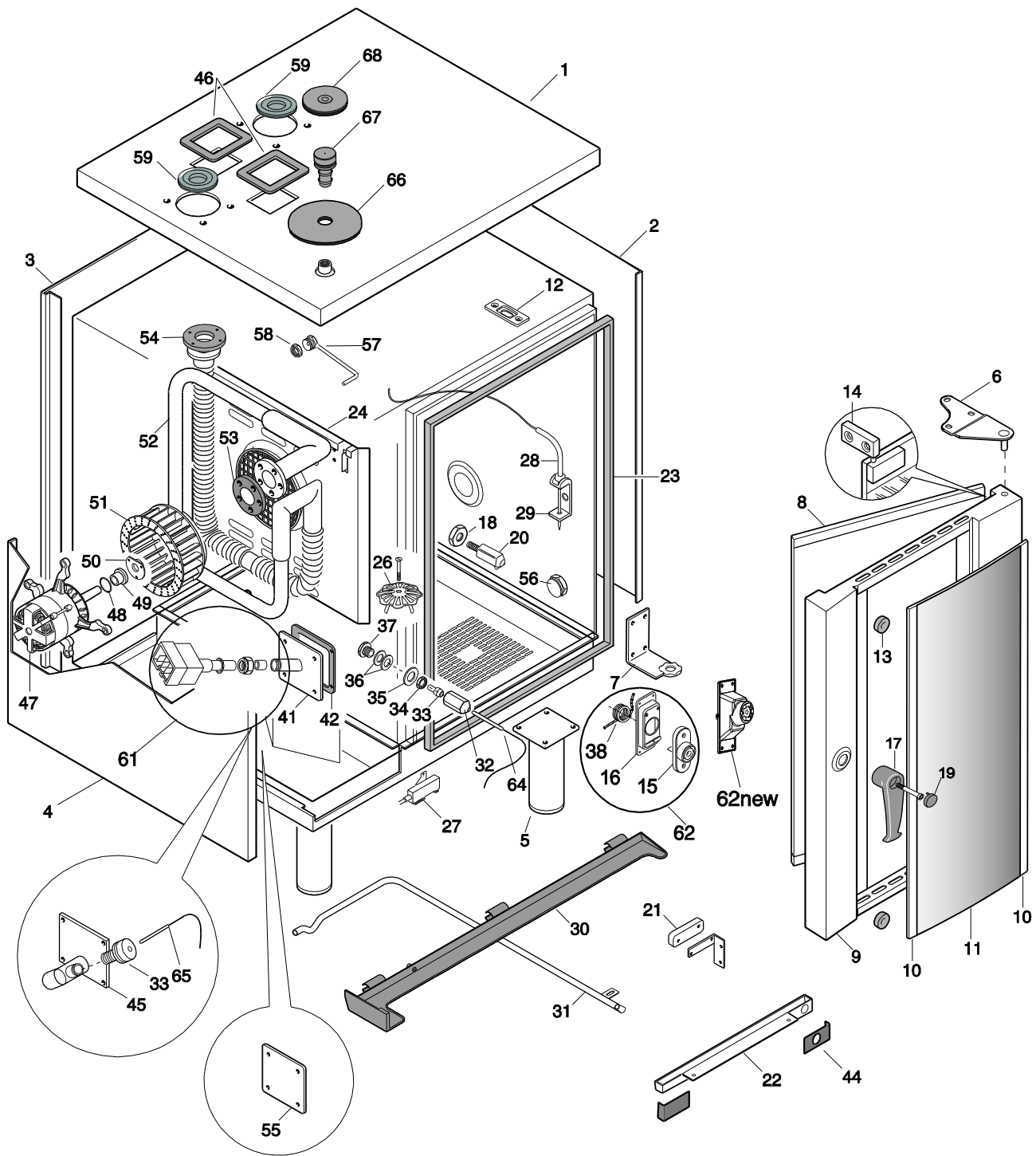
Diamond
catering equipment

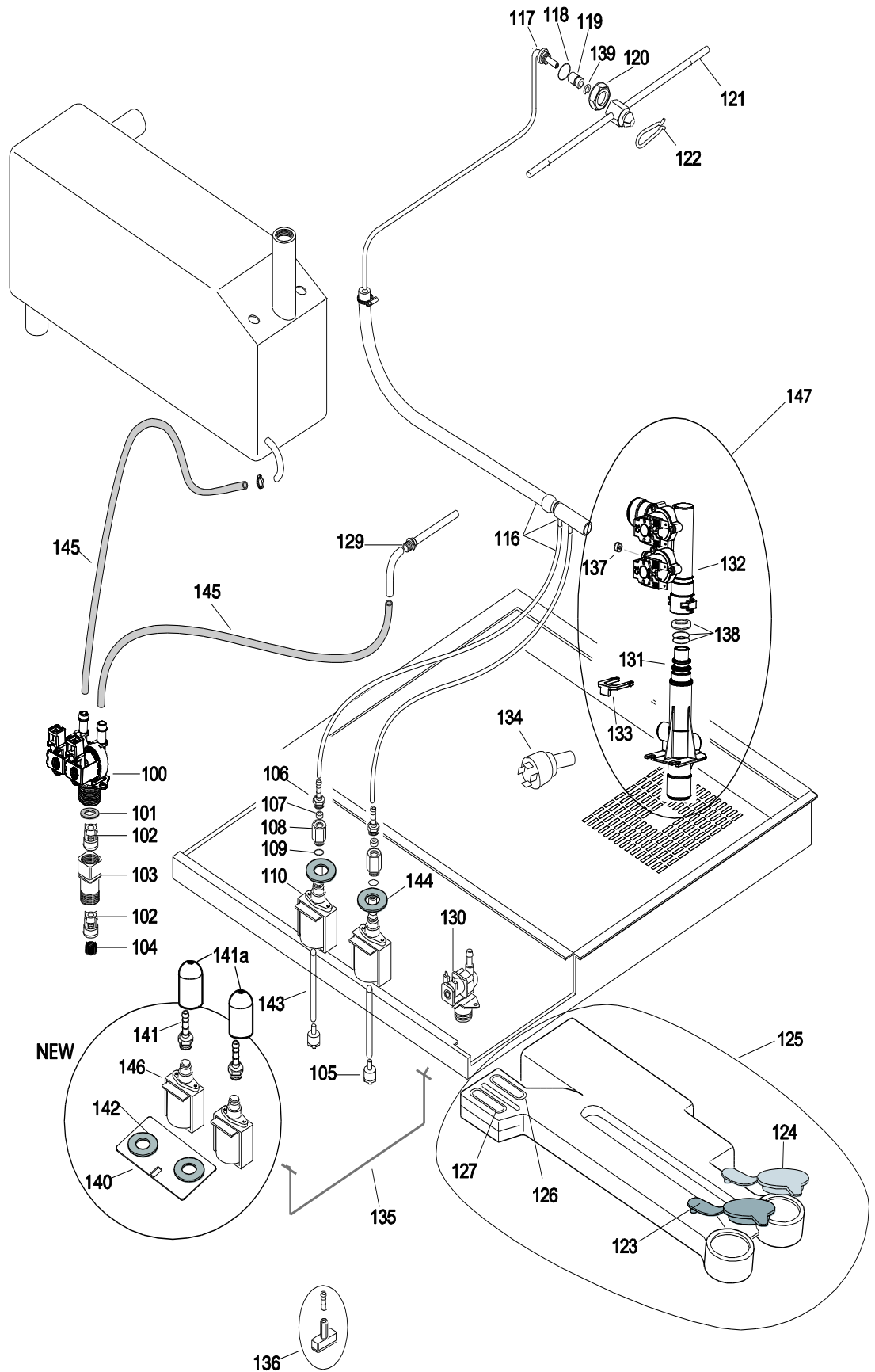
SPARE PARTS CATALOGUE
CATALOGO PARTI DI RICAMBIO
10 GN 1/1 GAS CONVECTION / STEAM OVEN
FORNO CONVEZIONE / VAPORE GAS 10 GN 1/1

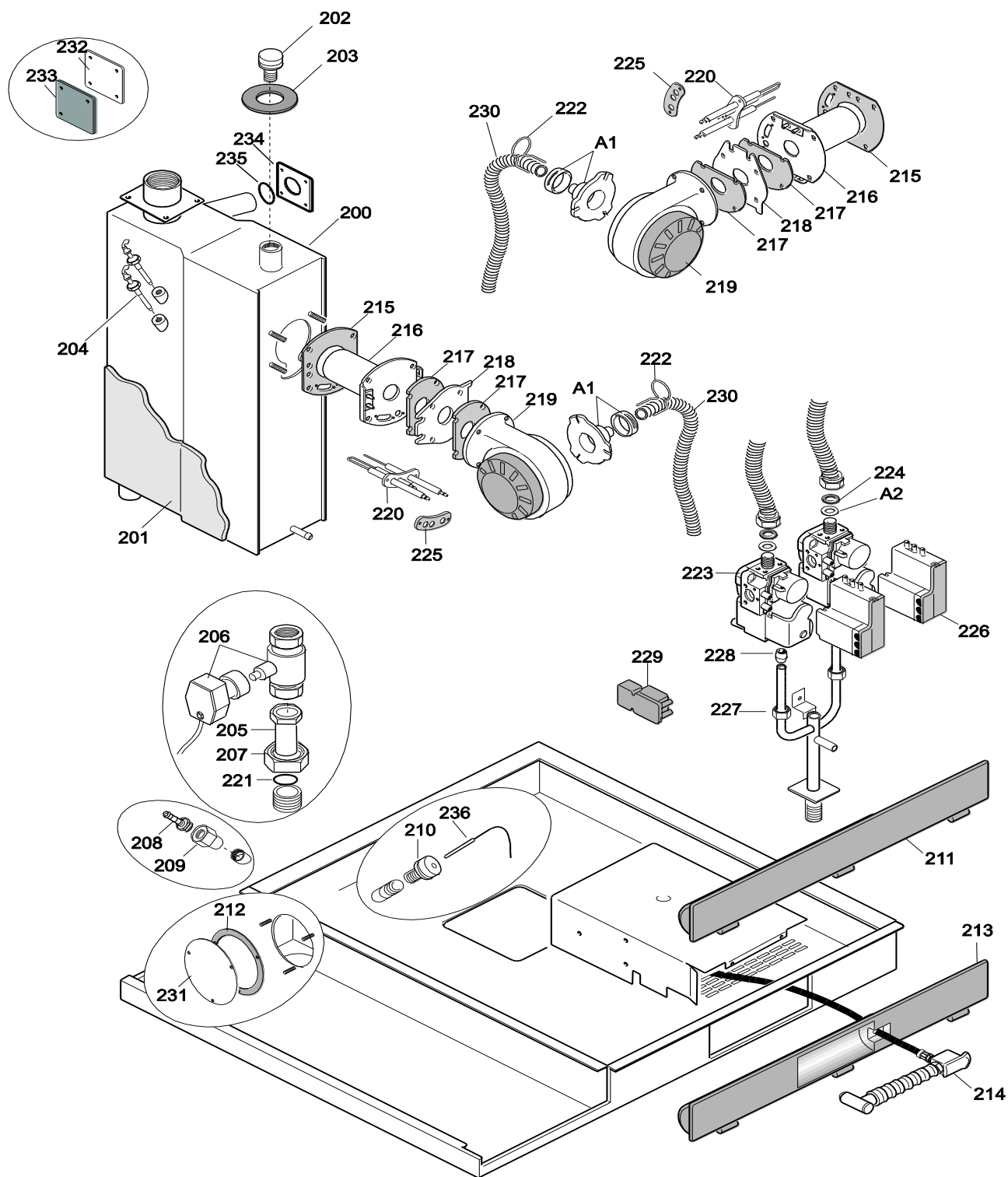
PNC	Model	Ref	Group	Level	Page	Notes
646572	HOR101GKG	o	DIA	Level K	2...11	230V 50Hz DIAMOND
646702	FCZ101GKGN	q	To brand	Level K	2...11	230V 50Hz To brand
646732	HOR101GKZN	t	DIA	Level K	2...11	230V 50Hz DIAMOND AUS
647502	EJN101GAG	a	EJN	Level A	2...11	230V 50Hz STD
647512	EJN101GAD	b	EJN	Level A	2...11	230V 50Hz LPG
647542	RDR101GAG	c	RDR	Level A	2...11	230V 50Hz STD
647572	HOR101GAG	d	HOR	Level A	2...11	230V 50Hz STD
647702	FCZ101GTGN	r	To brand	Touch	2...11	230V 50Hz To brand
647722	HOR101GTGN	u	DIA	Touch	2...11	230V 50Hz DIAMOND
647732	HOR101GTZN	v	DIA	Touch	2...11	230V 50Hz DIAMOND AUS
648502	EJN101GBG	e	EJN	Level B	2...11	230V 50Hz STD
648512	EJN101GBD	f	EJN	Level B	2...11	230V 50Hz LPG
648542	RDR101GBG	g	RDR	Level B	2...11	230V 50Hz STD
648572	HOR101GBG	h	HOR	Level B	2...11	230V 50Hz STD
648702	FCZ101GBGN	s	To brand	Level B	2...11	230V 50Hz To brand
648712	FCZ101GBGE	p	EMP	Level B	2...11	230V 50Hz EMPERO
648722	HOR101GBGN	w	DIA	Level B	2...11	230V 50Hz DIAMOND
649502	EJN101GCG	i	EJN	Level C	2...11	230V 50Hz STD
649512	EJN101GCD	l	EJN	Level C	2...11	230V 50Hz LPG
649542	RDR101GCG	m	RDR	Level C	2...11	230V 50Hz STD
649572	HOR101GCG	n	HOR	Level C	2...11	230V 50Hz STD
649732	HOR101GCZN	z	DIA	Level C	2...11	230V 50Hz DIAMOND AUS

Pag	Index	Indice	Note
2	Oven cabinet and door.	Cella forno e porta	
3	Water system	Impianto idraulico	
4	Boiler	Boiler	
5	Electrical components	Componenti elettrici	
6	Accessories	Accessori	
7...11	Spare parts list	Lista ricambi	

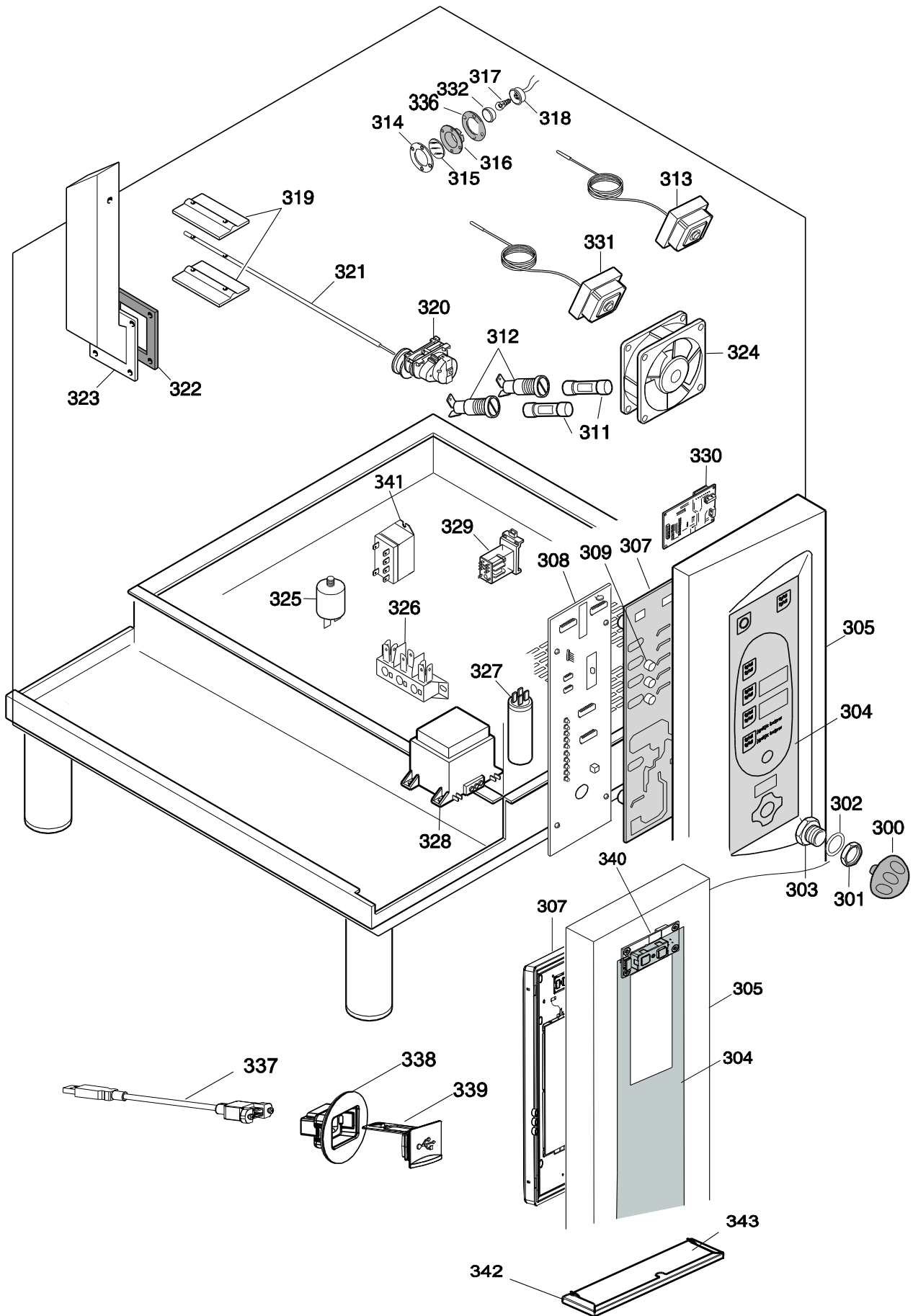
Brand/Marchio: All
Factory code: 9PDD

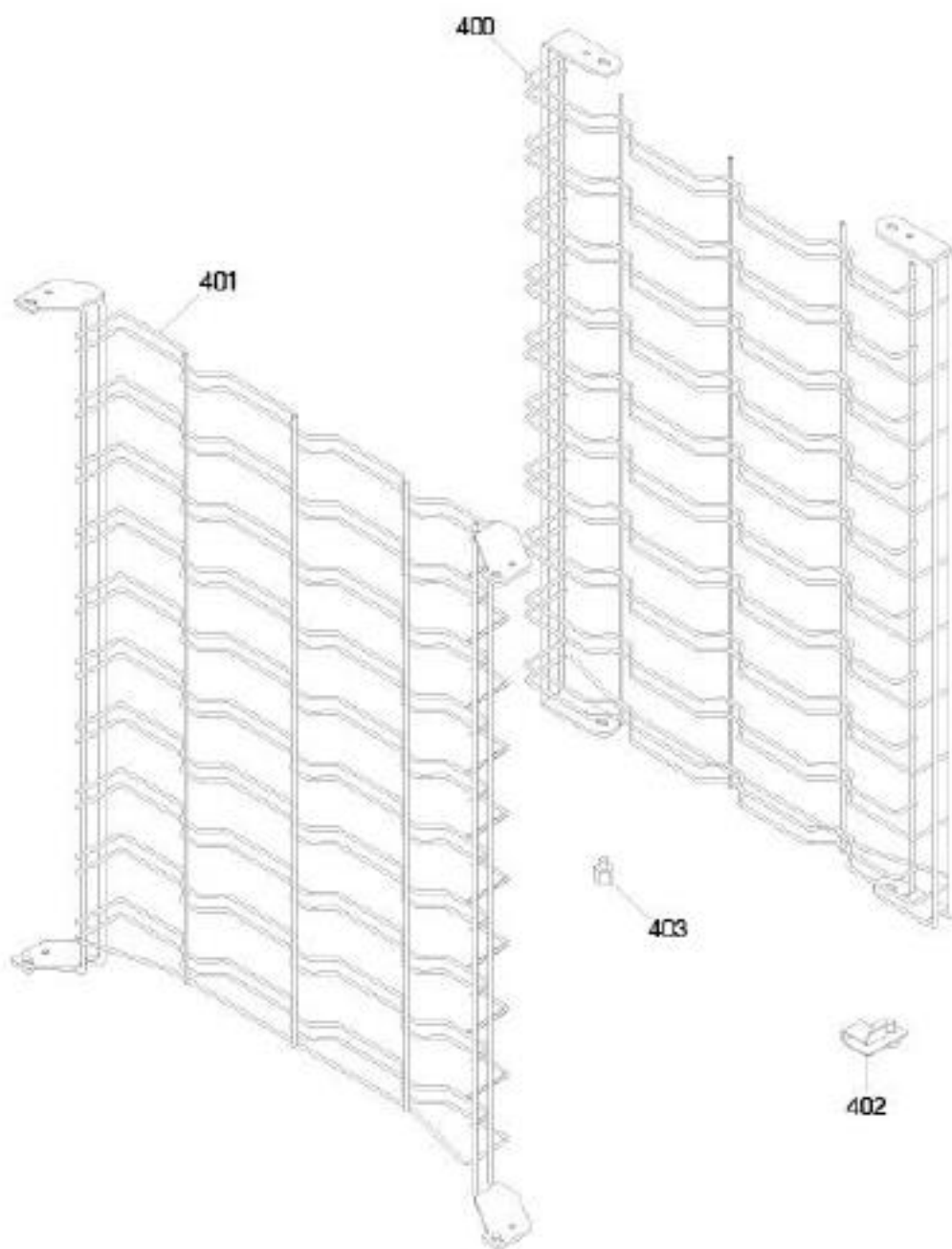






GAS	AERATORE/AERATOR		DIAFRAMMA/DIAPHRAGM		DIAFRAMMA/DIAPHRAGM	
	POS. A1 CELLA/CAVITY	POS. A1 BOILER	POS. A2 CELLA/CAVITY	POS. A2 BOILER	POS. 218 CELLA/CAVITY	POS. 218 BOILER
G20	0C1045 (ROSSA/RED)	0806826600 (VERDE/GREEN)	0C1139 (ø 7)	0C2444 (ø 7,5)	0C4110 (ø 18)	0C4125 (ø 21)
G25	0C1045 (ROSSA/RED)	0806826600 (VERDE/GREEN)	0C1141 (ø 8)	0C1143 (ø 8,5)	0C4110 (ø 18)	0C4125 (ø 21)
G30	0C1045 (ROSSA/RED)	0806826600 (VERDE/GREEN)	0C2442 (ø 5.5)	0C2446 (ø 5,8)	0C4110 (ø 18)	0C4110 (ø 18)
LPG	0C1045 (ROSSA/RED)	0806826600 (VERDE/GREEN)	0C1140 (ø 5.7)	0C1142 (ø 6,15)	0C4110 (ø 18)	0C4110 (ø 18)





10 GN 1/1 GAS CONVECTION / STEAMER OVEN
FORNO CONVEZIONE / VAPORE GAS 10 GN 1/1

<i>Pos</i>	<i>Factory Code</i>	<i>6DGT Code</i>	<i>Descrizione</i>	<i>Description</i>	<i>Ref./Note</i>	
			Pagina 2	Page 2		
1	0530891500	0C6179	COPERCHIO	COVER	For Level C	
1	0530891700	0C6181	COPERCHIO	COVER		
2	0530890900	0C6174	FIANCO DX	RIGHT SIDE PANEL	From 2008/01 up to 2012/18 Up to 2007/52 from 2012/19	
3	0530892700	0C6190	SCHIENALE	BACK PANEL		
4	0530893300	0C6196	FIANCO SX	LEFT SIDE PANEL		
5	0831850900	0C4892	PIEDINO	FOOT		
5	0831842202	0C4233	PIEDINO	FOOT		
6	0806847803	0C4234	CERNIERA SUPERIORE	UPPER HINGE		
7	0806861600	0C4235	CERNIERA INFERIORE	LOWER HINGE		
8	0873869902	0C4470	VETRO INTERNO	INNER GLASS		
9	0873858407	0C4960	PORTA COMPLETA	COMPLETE DOOR		
-	0518806205	0C6051	MOLLA FERMAVETRO INTERNO	SPRING FOR INTERNAL GLASS		
10	0806859302	0C4476	PROFILO DX-SX	RIGHT AND LEFT TRIM	For EJV Version For HOR.RDR, DIAMOND, To Brand version	
11	0574819101	0C4953	VETRO ESTERNO	EXTERNAL GLASS		
11	0574819601	0C5008	VETRO ESTERNO	EXTERNAL GLASS		
12	0543839700	0C4088	GUARNIZIONE FLANGIA SPILLONE	GASKET		
13	0543828001	006976	AMMORTIZZATORE	DAMPER		
14	0806822000	007007	CERNIERA VETRO INTERNO	HINGE, INNER GLASS		
15	0835871801	0C4089	GR.CHIUSURA A SCATTO 'HRS'	CLOSING MECHANISM		
16	0510824200	0C4237	SUPPORTO GR.CHIUSURA	SUPPORTO		
17	0548871501	0C4090	MANIGLIA CHIUSURA A SCATTO	DOOR HANDLE		
18	0516896401	0C4238	DADO FISSAGGIO	NUT FOR DOOR CATCHER		
19	0546822600	0C4091	TAPPO PER MANIGLIA 'HRS'	DOOR COVER HANDLE	For HOR, RDR, DIAMOND, To brand version	
20	0806859900	0C4092	NASELLO SINGOLO SCATTO	DOOR CATCHER		
20	0806859100	0C6010	NASELLO 2 SCATTI	DOOR CATCHER 2 STEP		
21	0699603700	049627	MAGNETE	MAGNET		
22	0528869501	0C4239	VASCETTA RACC.CONDENSE	DOOR DRAIN TRAY		
23	0831846901	0C1477	GUARNIZIONE CELLA-PORTA	GASKET		
-	0147098067	003926	SIGILLANTE (RED)	RED SEALANT		
24	0831847003	0C4615	PARETE DI ASPIRAZIONE	SUCTION WALL		
25	0518807301	0C3423	MOLLA AGGANCIAMENTO PARETE	SPRING		
26	0518808600	0C1740	FILTRO FONDO	FILTER		
27	0654600000	049621	INTERRUTTORE MAGNETICO	MAGNETIC SWITCH	for Level A for Level B e C	
28	0831831000	0C4240	SPILLONE CURVO MULTIPOINT	MEAT PROBE MULTI POINT		
28	0831830700	0C4241	SPILL. CURVO SINGOLO PUNTO	MEAT PROBE SINGLE POINT		
29	0527865201	0C1505	SUPPORTO SPILLONE	MEAT PROBE SUPPORT		
30	0856814000	0C4242	BACINELLA SNODABILE	DRAIN TRAY		
31	0806858800	0C4243	TUBO PER CONDENSE 1/1	DRAIN TUBE		
32	0516855300	006991	DADO SONDA CELLA	NUT, CAVITY PROBE		
33	0543842600	0C4872	TAPPO PER SENSORE	STOPPER FOR SENSOR		
34	0214105101	020997	CONTRODADO PORTAUGELLO	LOCK NUT		
35	0508838701	002700	RONDELLA SONDA CELLA	WASHER		
36	0543816300	002624	GUARN. PER TENUTA SONDA	GASKET	for Level A e B	
37	0516809400	002623	RACCORDO SONDA CELLA	CONNECTION, CAVITY PROBE		
38	0518818000	0C8561	MOLLA PER CHIUSURA	SPRING		
41	0806857201	0C4244	COND. SONDA LAMBDA	FLANGE TUBE		
42	0543838300	0C4093	GUARNIZIONE BYPASS/LAMBDA	GASKET		
44	0543841300	0C4094	GUARN. VASC. CONDENSE	GASKET		
45	0806873000	0C6351	CONDOTTO FLANGIATO BY-PASS	DUCT, BYPASS PROBE		
46	0543828901	007005	GUARN. CONDOTTO ARIA-COP.	GASKET, DUCT		
47	0611809000	0C5287	MOTORE	MOTOR		for Level C for Level A e B
47	0611806001	006998	MOTORE	MOTOR		

10 GN 1/1 GAS CONVECTION / STEAMER OVEN
FORNO CONVEZIONE / VAPORE GAS 10 GN 1/1

<i>Pos</i>	<i>Factory Code</i>	<i>6DGT Code</i>	<i>Descrizione</i>	<i>Description</i>	<i>Ref./Note</i>
48	0543816700	002873	O RING	O RING	
49	0516808902	002699	CUSCINETTO	BEARING	
50	0538815400	0C4138	FLANGIA FISS.TENUTA MOTORE	FLANGE	
51	0835400800	0C6463	VENTOLA	FAN	
51	0831808400	0C1129	VENTOLA	FAN	for Level C
52	0831828701	0C4318	SCAMBIATORE	HEAT EXCHANGER	
53	0543830700	0C1036	GUARNIZIONE	GASKET	
54	0543831301	0C1132	GUARNIZIONE	GASKET	
55	0527898900	0C4857	PIASTRA CHIUSURA	FLANGE	for Level C
56	0516892000	0C6296	PERNO SPILLONE	PROBE PIN	
57	0856828400	0C4975	CONDOTTO UMIDIFICATORE	HUMIDIFIER PIPNG	for Level C
58	0516887101	0C6228	DADO CONDOTTO	NUT HUMIDIFIER	for Level C
59	0543844600	0C6200	GUARNIZIONE CAMINO	GASKET	
61	-	0C6465	KIT SONDA LAMBDA	LAMBDA KIT	For Level A
62	*	0CA757	KIT CHIUSURA PORTA	KIT CLOSING MECH.	Up to 6081...
62	835402M00	0CA733	ASSIEME CHIUSURA PORTA	COMPLETE CLOSING MECH.	From 6091...
64	0830898902	0C6538	SENSORE TEMPERATURA	TEMP. PROBE	
65	0830899101	0C6539	SENSORE TEMPERATURA	TEMP. PROBE	
66	0543400900	0C7016	GUARNIZIONE PER TUBO	PIPE GASKET	
67	0543816601	002692	TAPPO CARICO DISINCROST.	RECHARGE CAP FOR SCALER	
68	0543843201	0C4965	GOMMINO CHIUSURA ING.DISIN	GASKET	
			Pagina 3	Page 3	
100	0696808400	0C5517	ELETTROVALVOLA	WATER VALVE	for Level B e A
-	0544819400	0C5829	TUBO EPDM BLU	BLU PIPE EPDM	
-	0835872300	0C5385	FASCETTA NORMACLAMP	NORMACLAMP	
101	0543840600	0C4096	GUARNIZIONE FILTRO	GASKET	
102	0549801800	0C2312	VALVOLA NON RITORNO	NOT RE-FLOW VALVE	
103	0516879400	0C2313	RACCORDO ENTRATA ACQUA	PIPE FITTING	for Level B e A
105	0831811400	0C1155	ASSIEME FILTRO	FILTER	for Level A e C
106	0516896101	0C4198	RACCORDO PORTAGOMMA	PIPE FITTING	for Level A e C
107	0544809000	0C1117	VALVOLA NON RITORNO	NOT RE-FLOW VALVE	for Level A e C
108	0516871900	0C1116	RACCORDO PER POMPA	CONNECTION, PUPM	for Level A e C
109	0543832300	0C1935	O-RING	O-RING	for Level A e C
110	0680801201	0C2341	POMPA	PUMP	for Level A e C
116	0805400201	0C6202	ASS. COLLETTORE LAVAGGIO	CONNECTION	for Level A e C
117	0806871100	0C6031	ASS. SUPP. GETTO LAVAGGIO	SUPPORT	for Level A e C
118	0543841400	0C4201	GUARNIZIONE IN RAME	GASKET	for Level A e C
119	0516898301	0C4467	CUSCINETTO GETTO ROTANTE	BEARING	for Level A e C
120	0516896000	0C4202	DADO	NUT	for Level A e C
121	0806873900	0C5503	GETTO ROTANTE	ROTATING WASHING JET	for Level A e C
122	0518807100	007026	MOLLA	SPRING	for Level A e C
123	0544808100	0C1151	TAPPO PER SERBATOIO BLU	BLUE CUP	for Level A e C
124	0544808200	0C1152	TAPPO PER SERBATOIO ROSSO	RED CUP	for Level A e C
125	0873857102	0C4426	SERBATOIO DETERGENTE-BRIL	TANK	for Level A e C
126	0544808900	0C1154	PARATIA PER SERBATOIO ROSSO	RED BULKHEAD	for Level A e C
127	0544808400	0C1153	PARATIA PER SERBATOIO BLU	BLUE BULKHEAD	for Level A e C
129	0H22982800	007075	TUBO UMIDIFICATORE	HUMIDIFIER PIPE	for Level A e B
129	0856828600	0C4977	TUBO UMIDIFICATORE	HUMIDIFIER PIPE	for Level C
130	0696808800	0C6170	ELETTROVALVOLA	WATER VALVE	for Level B
130	0696808200	0C5515	ELETTROVALVOLA	WATER VALVE	for Level C
131	0831857200	0C6370	ASS. COLLETTORE LAVAGGIO	CONNECTION,C.S.	Level A e C
132	0696808600	0C6374	GRUPPO VALVOLE CLEANING	VALVE GROUP C.S.	for Level A
132	0696400300	0C6406	GRUPPO VALVOLE CLEANING	VALVE GROUP C.S.	for Level C
133	0546825100	0C6222	FORCELLA SICUREZZA	CLIP	for Level A e C
134	0646817200	0C6217	PRESSOSTATO ATTACCO RAPIDO	CONNECTION FOR WASH ARM	for Level A e C
135	0513805000	0C5426	STAFFA SUPPORTO SERBATOIO	SUPPORT PLATE	for Level A e C
136	-	0C6467	KIT GANCIO SERBATOIO	KIT TANK HOOK	for Level A e C
137	-	0C6375	KIT PARZIALIZZATORI DI FLUSSO	FLOW REDUCER KIT	for Level A e C

10 GN 1/1 GAS CONVECTION / STEAMER OVEN
FORNO CONVEZIONE / VAPORE GAS 10 GN 1/1

<i>Pos</i>	<i>Factory Code</i>	<i>6DGT Code</i>	<i>Descrizione</i>	<i>Description</i>	<i>Ref./Note</i>
138	-	061303	KIT O-RING +BUSSOLA	O-RING +BUSH KIT	for Level A e C
139	0219035015	0C6421	ANELLO ELASTICO	ELASTIC RING	for Level A e C
140	0505401R00	0C7924	PIASTRINA FISSAGGIO POMPE	FIXING PLAQUE	
141	0544400C01	0C8348	VITE TTL	TTL SCREW	Up to 5151...
141	0544400C02	0CA348	VITE TTL	TTL SCREW	From 5161...
141a	0546400J00	0C9538	CAPPUCCIO DI PROT.	PROTECTION CAP	
142	0543400R00	0C7925	PASSACAVO	WIRING BUSH	
143	0546814600	0C2309	TUBO EXT	EXT. PIPE	
144	0246530100	005382	GOMMINO	GASKET	
145	0544819400	0C5829	TUBO EPDM BLU	EPDM PIPE	
146	0686400100	0C8347	POMPA DEFOND PHOENIX	PHOENIX DEFOND PUMP	Up to 4441...
146	0686400201	0CA112	POMPA CEME	CEME PUMP	From 4451...
147	0835400L00	0C8683	GRUPPO ENTRATA ACQUA	GROUP WATER INLET	
147	0835400M00	0C8684	GRUPPO ENTRATA ACQUA	GROUP WATER INLET	For level C
-	0831854100	0C5562	TUBO ACQUA WRAS	WATER INLET PIPE WRAS	
-	0835870400	0C3464	RIDUTTORE DI PRESSIONE	WATER PRESSURE REDUCER	
			Pagina 4	Page 4	
200	0831852900	0C5520	ASSIEME BOILER	BOILER ASS.Y	for Level A e B up to 5151
200	0831852905	0CA295	ASSIEME BOILER	BOILER ASS.Y	for Level A e B from 5161
201	0560852501	0C4123	KIT ISOLAMENTO	KIT ISOLATION	for Level A e B
202	0543816601	002692	TAPPO	STOPPER	for Level A e B
203	0543817500	002634	GUARNIZIONE	GASKET	for Level A e B
204	0831831901	0C4098	SONDA DI LIVELLO	LEVEL PROBE	for Level A e B
205	0516868600	0C1063	RACCORDO	CONNECTION	for Level A e B
206	0696804201	0C0882	VALVOLA DI SCARICO 230V	DRAIN VALVE 230V	for Level A e B
207	0516868500	0C1062	MANICOTTO 1"-3/4"	CONNECTION 1"-3/4"	for Level A e B
208	0510828000	0C5564	RESCA D12 FILETT 1/4' GAS	PIPE CONNECTION	
209	0516879600	0C4099	UGELLO 'ELPIS'1/4'FD3.5-3/8'M	NOZZLE	for Level A e B
210	0543842600	0C4872	TAPPO PER SENSORE	STOPPER FOR SENSOR	for Level A e B
211	0546821401	-	PANNELLO FRONTALE INFERIORE	PANEL	Level C e B
212	0543839600	0C3442	GUARN. CHIUSURA	GASKET	for Level A
213	0546815103	0C4532	PANNELLO FRONTALE INFERIORE	PANEL	for Level A
214	0873881200	0C4248	DOCCETTA	SHOWER	for Level A and Touch DIAMOND
214	0875402G00	0CA407	DOCCETTA	SHOWER	For Touch level to brand
215	0543838200	0C4101	GUARNIZIONE BRUCIATORE LWZ	GASKET	
216	0831827502	0C4289	BRUCIATORE	BURNER	
217	0543838100	0C4102	GUARNIZIONE PER VENTILATORE	FAN GASKET	
218	0538819000	0C4110	FLANGIA VENTILATORE	FAN FLANGE	
219	0611808300	0C4103	VENTILATORE	FAN	
220	0831846402	0C4461	CANDELINA DI ACC. E RIL.	IGNITION ROD	for Level A e B
220	0831846502	0C4462	CANDELINA DI ACC. E RIL.	IGNITION ROD	for Level C
221	0543816800	002874	ANELLO DI TENUTA OR	O-RING	for Level A e B
222	0518807600	0C1044	MOLLA	SPRING	for Level A e B
223	0835859601	0C1057	VALVOLA GAS	GAS VALVE	
224	0543840600	0C4096	GUARNIZIONE	GASKET	
225	0543841100	0C4104	GUARNIZIONE CANDELINA	ROD GASKET	
226	0624810800	0C4260	CENTRALINA	IGNITION BOARD	
227	0516847000	0C1058	DADO	NUT	
228	0515801715	052671	BICONO X TUBO DA 16	SEAL	
229	0624810600	0C4105	ACCENDITORE BRAHMA	IGNITION BOARD	
230	0517877101	0C1054	CONDUTTURA L= 398MM	PIPE L= 398MM	for Level A e B
230	0517877001	0C1084	CONDUTTURA L= 330MM	PIPE L= 330MM	
231	0J89061403	0C3443	PORTELLO ISPEZIONE	INSPECTION COVER	for Level A
232	0527898700	0C4856	FLANGIA CHIUS. FORO BOILER	FLANGE	for Level C
233	0543842800	0C4963	GUARN. CHIUSURA FORO BOILER	GASKET	for Level C

10 GN 1/1 GAS CONVECTION / STEAMER OVEN
FORNO CONVEZIONE / VAPORE GAS 10 GN 1/1

<i>Pos</i>	<i>Factory Code</i>	<i>6DGT Code</i>	<i>Descrizione</i>	<i>Description</i>	<i>Ref./Note</i>
236	0830899100	0C0326	SONDA BYPASS (L 1200)	BYPASS PROBE (L 1200)	for Level A e B up to 014
236	0830899101	0C6539	SONDA BYPASS 1100 BIANCO	BYPASS PROBE 1100mm WHITE	for Level A e B from 015
			Pagina 5	Page 5	
300	0806874001	0C5600	MANOPOLA	HANDLE	Up to 041
300	548872200	0C4875	MANOPOLA	HANDLE	From 042
301	0214114900	051263	CONTRODADO	LOCK NUT	
302	0508836400	002727	RONDELLA	DISK	
303	0516807301	002662	BOCCOLA	BUSH	
304	0675855200	0C4957	MEMBRANA LIV.A	LAYER LEV. A	For lev. A EJN Version
304	0548400800	0C6426	MEMBRANA LIV.A	LAYER LEV. A	For lev. A HOR version
304	0675856300	0C5010	MEMBRANA LIV.A	LAYER LEV. A	For lev. A RDR Version
304	0675855301	0C4958	MEMBRANA LIV.B	LAYER LEV. B	For lev. B EJN Version
304	0548400900	0C6427	MEMBRANA LIV.B	LAYER LEV. B	For lev. B HOR-DIA version
304	0675856401	0C5011	MEMBRANA LIV.B	LAYER LEV. B	For lev. B RDR Version
304	0675856402	0C9870	MEMBRANA LIV.B RDR MODELS	LAYER LEV. B RDR MODELS	Up to 4111
for Level B RDR and To brand from 4121					
304	0675401300	0CA536	MEMBRANA LIV. B EMPERO	LAYER LEV. B EMPERO	for Level B EMPERO
304	0675855402	0C4959	MEMBRANA LIV.C	LAYER LEV. C	For lev. C EJN Version
304	0548400A00	0C6425	MEMBRANA LIV.C	LAYER LEV. C	For lev. C HOR version
304	0675856501	0C5062	MEMBRANA LIV.C	LAYER LEV. C	For lev. C RDR Version
304	0548401T00	0CA535	MEMBRANA DIAMOND	LAYER DIAMOND	for lev. C RDR Version
304	0548401Q00	0CA750	MEMBRANA TOUCH TO BRAND	LAYER TOUCH TO BRAND	for lev. C, K and Touch Diamond
For Level K and Touch to brand					
305	0873895902	0C4901	CRUSCOTTO LIV. A (NO MEMBR.)	CONT.PANEL LEV. A (NO LAYER)	for Level A
305	0873896002	0C4902	CRUSCOTTO LIV. B (NO MEMBR.)	CONT.PANEL LEV. B (NO LAYER)	for Level B, EMPERO
305	0873896102	0C4903	CRUSCOTTO LIV. C (NO MEMBR.)	CONT.PANEL LEV. C (NO LAYER)	for Level C
305	0870400J00	0C6592	CRUSCOTTO DIAMOND	CONT.PANEL DIAMOND	for DIAMOND and Touch to brand
-	0831844900	0C4930	FILTRO ARIA CRUSCOTTO	AIR FILTER CONTROL PANEL	
307	0675837902	0C0043	SCHEDA USER INTERFACE LIV. A	USER INTERF. BOARD, LEV. A	for Level A
307	0675838802	0C0041	SCHEDA USER INTERFACE LIV. B	USER INTERF. BOARD, LEV. B	for Level B, EMPERO
307	0675854600	0C4891	SCHEDA USER INTERFACE LIV. C	USER INTERF. BOARD, LEV. C	for Level C
307	0675400P03	0CA070	SCHEDA USER INTERFACE DIAMOND	USER INTERF. BOARD, DIAMOND	for DIAMOND and Touch to brand
308	0675837808	0C0042	SCHEDA POWER	MAIN POWER	for Level A, B
308	0675854501	0C4890	SCHEDA POWER	MAIN POWER	for Level C
308	0675400809	0C6570	SCHEDA POWER	MAIN POWER	for DIAMOND and Touch To brand
308	0675400206	*	SCHEDA POWER	MAIN POWER	for EMPERO
-	0546814001	0C3750	DISTANZIALE ARCHETTO NYLON	SPACER NYLON	
309	0546824600	0C5833	PROLUNGA PULSANTE	PROLONG	
311	0652800901	058871	FUSIBILE RAPIDO 6.30 A	FUSE FAST 6.3 A	
311	0652803900	0C2301	FUSIBILE OMEGA 800MA	FUSE OMEGA 800MA	
311	0652800701	058869	FUSIBILE 5X20 1,6A F	FUSE OMEGA 5X20 1,6A F	
312	0652802100	0F0031	PORTAFUSIBILE	FUSE HOLDER	
313	0646812200	007042	LIMITATORE, CELLA	LIMITER, CAVITY	
314	0508840801	002628	FLANGIA	FLANGE	
315	0574804900	002627	VETRO	GLASS	
316	0543842000	002626	GUARNIZIONE	GASKET	
317	0660808300	0C4396	LAMPADA ALOGENA	HALOGEN LAMP	Up to 4361...
317	0660400100	0C9877	LAMPADA ALOGENA	HALOGEN LAMP	From 4371...
318	0660806401	007055	PORTALAMPADA	LAMP HOLDER	
319	0508896801	007081	FARFALLA	CLOSER	
320	0680802300	0C5501	MOTORIDUTTORE	MOTOREDCER	
321					
322	0543828600	007053	GUARNIZIONE	GASKET	

10 GN 1/1 GAS CONVECTION / STEAMER OVEN FORNO CONVEZIONE / VAPORE GAS 10 GN 1/1					
<i>Pos</i>	<i>Factory Code</i>	<i>6DGT Code</i>	<i>Descrizione</i>	<i>Description</i>	<i>Ref./Note</i>
323	0831828500	0C4285	CONDOTTO ARIA	DUCT, AIR	
324	0624811000	0C4106	VENTILATORE	FAN	
325	0694805900	0C4950	FILTRO ANTIDISTURBO	FILTER	
326	0639804900	046357	MORSETTIERA	TERMINAL BOARD	
327	0694604400	047541	CONDENSATORE 12.5 Mf	CAPACITOR 12.5 MF	for Level A e B
327	0694806000	0C5526	CONDENSATORE DA 8 MF	CAPACITOR 8 MF	for Level C
328	0624400100	0C6895	TRASFORMATORE	TRANSFORMER	up to 3291
328	0624400900	0C9557	TRASFORMATORE	TRANSFORMER	from 3301
329	0648803001	058857	RELE	RELE	for Level A e B
330	0624807002	007047	ALIMENTATORE SWITCHING	SWITCHING FEEDER	for Level A
331	0646812900	0C1147	LIMITATORE, BOILER	LIMITER, BOILER	
332	0509803900	0C4459	RIFLETTORE	REFLECTOR	
336	0543843500	0C5451	GUARNIZIONE	GASKET	
337	0638400Y00	0C6566	PROLUNGA USB	USB CABLE	For Touch Level
338	0546400200	0C6547	VASCHETTA USB	USB PLUG	For Touch Level
339	0541400A00	0C6546	COPERTURA USB	USB COVER	For Touch Level
340	0675858601	0C8033	TASTO ON-OFF (INTERR.PRINCIPALE)	ON-OFF (MAIN SWITCH)	for TOUCH level
341	0648722900	088267	RELE' SICUREZZA	SAFETY RELE'	
342	0831851002	0C4934	ASSIEME FILTRO CRUSCOTTO	ASS. FILTER CONTROL PANEL	
343	0549400F00	0C9991	FILTRO CRUSCOTTO	FILTER CONTROL PANEL	
			Pagina 6	Page 6	
400	0831849200	0C4862	PORTATEGLIE DX P60	TRAY SUPPORT DX P60	
401	0831848900	0C4861	PORTATEGLIE SX P60	TRAY SUPPORT SX P60	
402	0806872800	0C4961	SUPPORTO CON S.G.	SUPPORT S.G.	
403	0511828100	0C5620	SUPPORTO	SUPPORT	
			SONDE DI TEMPERATURA	TEMPERATURE PROBES	
	0830898900	0C0324	SONDA CELLA 500mm ROSSA	CAVITY PROBE 500mm RED	
	0830898901	0C7028	SONDA CELLA 500mm ROSSA	CAVITY PROBE 500mm RED	
	0830898902	0C6538	SONDA CELLA 500mm ROSSA	CAVITY PROBE 500mm RED	
	0830899002	0C0325	SONDA BOILER 800mm AZZURRA	BOILER PROBE 800mm BLUE	for Level A e B
	0830899100	0C0326	SONDA BYPASS 1100 BIANCO	BYPASS PROBE 1100mm WHITE	for Level A e B
	0830899101	0C6539	SONDA BYPASS 1100 BIANCO	BYPASS PROBE 1100mm WHITE	for Level A e B