

07/2015

# Mod: VB/2C

Production code: 9070



**Diamond**  
catering equipment

## COUNTERTOP HOTPLATES WITH DOME

Art. 9060

Art. 9070

Art. 9072



Art. 9060



Art. 9070

## Contents

Declaration of Conformity .....	pag.2
Introduction and Warranty .....	pag.2
Warning .....	pag.3
Warning on the equipments .....	pag.3
Environmental Notes.....	pag.3
Purpose of the Product .....	pag.4
Technical features .....	pag.4
Installation .....	pag.4
Plate Data .....	pag.4
Functioning and use .....	pag.5
Instructions for users .....	pag.5
Maintenance and cleaning .....	pag.5
Diagnostics and troubleshooting.....	pag.5
Electric scheme and connections .....	pag.6
Spare parts .....	pag.7

**Metalcarrelli S.r.l.**

Via A. Gagliani 10/A - 47814 Bellaria Igea Marina - RN - Italy

Tel. 0541 331627 Fax 0541 331561

Chamber of Commerce of Rimini - VAT no. and taxpayer's code 03249750401 - Reg. AEE no. IT08020000002329

[www.metalcarrelli.com](http://www.metalcarrelli.com) - [info@metalcarrelli.com](mailto:info@metalcarrelli.com)

## EC Declaration of Conformity

The EC Declaration of Conformity attached to this manual refers to the serial number of the equipment. Its content complies with what is indicated below.

### EC Declaration of Conformity

The company Metalcarrelli S.r.l., based in Via A. Gagliani 10/A, 47814 - Bellaria I.M. (RN) - Italy, VAT no. 03249750401, declares under the sole responsibility of its legal representative, that the following equipment:

Denomination                    COUNTERTOP HOTPLATES WITH DOME

Model                            \_\_\_\_\_

Serial number                 \_\_\_\_\_

Year of manufacture:        \_\_\_\_\_

complies, where applicable, with the essential safety and health requirements of the following European Directives:

- |               |   |
|---------------|---|
| 2014/35/EU    | Directive on the harmonisation of the laws of the Member States relating to the making available on the market of electrical equipment designed for use within certain voltage limits |
| 1935/2004(EC) | Regulation on materials and articles intended to come into contact with food.   |
| 10/2011(EU)   | Regulation on plastic materials and articles intended to come into contact with food.   |
| 2011/65/EU    | EU Directive on the restriction of the use of certain hazardous substances in electrical and electronic equipment (RoHS).   |
| 2014/30/EU    | Directive on the harmonisation of the laws of the Member States relating to electromagnetic compatibility (recast)  |

Harmonized rules used for answering to safety and health requirements:

- |                    |   |
|--------------------|---|
| EN 60335-1:2013    | Safety of Household and similar electrical appliances. - Part 1: General requirements.  |
| EN 60335-2-12:2004 | Household and similar electrical appliances. - Safety. - Part 2: Particular requirements for warming plates and similar appliances. |
| UNI EN 1672-2:2009 | Food processing machinery - Basic concepts - Part 2: Hygiene requirements.  |

## Introduction and Warranty

We thank you for purchasing one of our products manufactured in compliance with the strictest standards and according to technical principles aiming at ensuring an easy and safe use in professional work environments.

The manufacturer guarantees its products for 12 months, in compliance with the legislation in force.

Electrical parts and consumables are not covered under the warranty.

All interventions under warranty will be carried out at Manufacturer's premises only.

Any transport and delivery costs will be at the Customer's charge.

In order to activate the warranty, the original purchasing invoice or any other mandatory document shall be produced.

## Safety instructions



Carefully read all the instructions contained in this USE AND MAINTENANCE MANUAL, as they provide important information for safe installation, use and maintenance.

Keep this manual for future reference for you and your personnel. The manual must be kept throughout the lifetime of the appliance and must be made available to users for any reference. It is necessary to read it for any information on the installation, operation and maintenance of the appliance.

Before switching on the appliance, ensure that the voltage of your electricity supply corresponds to the data plate details.

Periodically check the appliance for safety.

Periodically check the appliance for its suitability for use.

The appliance must be connected to a properly grounded power socket.

Any intervention on the appliance must be performed by qualified technicians.

Do not touch any electric parts before disconnecting the appliance from the power supply.

Do not spill any liquids on the outer surface of the appliance and in particular near the control panel.

Do not use the appliance with wet hands or when barefoot and standing on a wet floor.

Do not use the appliance if the power cable is damaged.

Do not remove the power plug by pulling the power cable.

Do not use acids or strong chemical detergents to clean the appliance.

Children should be supervised to be sure that they do not play with the appliance.

## Warnings on the equipments



On the equipment there are the following warning labels:

- 1) ID plate indicating the serial number and the CE symbol, as per the chapter PLATE DATA. This warning is near the switch.
- 2) Warning of hot equipment. This warning is on the top of the equipment.
- 3) Indication of the earthing node. The label is inside the equipment near the power cord inlet.

## Environmental Notes

### NOISE:

The LEP,d of the equipment is less than 70 dB(A).

If positioned in areas with a noise exposure value of more than 80 dB(A), the employer must inform and train the operator about the risks due to noise exposure and must take the necessary measures together with the competent doctor.

### PACKAGING:

The packaging materials (plastic bags, polystyrene, cardboard, etc.) must be kept away from children, because they may be dangerous. Collect and sort the materials per type (e.g. cardboard, wood, plastic materials, etc.) and dispose of them in compliance with the regulation in force.

### OUT OF SERVICE:

At the end of the equipment lifetime, disassemble and sort the components (electric board, metal frame, etc.) and dispose of them according to any local and national regulations.

### DISPOSAL:

Pursuant to art. 13 of the Legislative Decree no. 151 of June 25, 2005, "Enforcement of the Directives 2002/95/EC and 2003/108/EC on the restriction of the use of certain hazardous substances in electrical and electronic equipment, and on waste disposal", the equipment is considered as a "Waste Electrical and Electronic Equipment" (WEEE). The symbol shown on the left and applied on the equipment or packaging, indicates that the product cannot be disposed of as an urban waste, at the end of its lifetime, but it must be disposed separately through authorized collection centres.

The proper separate collection for further recycling, treatment and environmentally-friendly disposal of the equipment contributes to avoid any negative impact on the environment and human health and at the same time it allows to re-use and/or recycle the materials the equipment is made of.

In case of illegal disposal of the product by the owner, administrative sanctions will apply in compliance with the regulation in force.



## Intended use of the Product

The Countertop Hotplates With Dome, this manual refers to, have been designed and manufactured in compliance with the applicable directives and good construction standards in order to improve food distribution, ensuring unaltered quality and abiding by hygiene and safety conditions.

The Countertop Hotplates With Dome shall not be used for food conservation; food shall not be left inside them after service.

## Technical Features

- AISI 304 stainless steel sheet top
- Acrylic dome
- Heated by electrical resistance
- ON/OFF switch with LED
- Thermostatic control from + 30 °C to + 90 °C
- Waterproof level: IPX3
- Rubber support feet

Technical Data	Art. 9060	Art. 9070	Art. 9072
Width cm	92	92	107
Depth cm	52	52	64
Height cm	20	33	38
Net weight kg	16	20	28
Heating element W	450		750
Mains supply	230 V - 1N - 50~60 Hz		
Operating temperature range	40-50 °C		
Perspex dome	opening one side only	rounded	

## Installation



The Countertop Hotplates With Dome this manual refers to are delivered in single packaging, already assembled and ready for use.

After removing the packaging, make sure the equipment is intact.

Remove the protection films from the steel sheet, if any, to prevent steel heating-up from altering the surface finish.




Before switching on the appliance ensure that the voltage of your electricity supply corresponds to the data plate located in the lower part of the Countertop Hotplates With Dome near the control panel.

The appliance must be connected to a power socket with protection against indirect contact in compliance with the regulations in force in the country of use.

The label indicating the earth point is placed inside the heating unit, next to the power inlet.

**WARNING:** In order to avoid any danger due to the accidental reset of the thermal switch, the appliance shall not be powered by means of an external device, such as a timer, or be connected to a circuit that is regularly powered or cut off from power supply.

## Plate Data (drawing 3, pag.8)

					
Metalcarrelli Srl - Italy AEE IT08020000002329					
Codice/Code					
Matricola/Serial Nr.			Anno/Year		
V	ph	Hz	W	A	

## Operation and use

**FIRST USE:** Remove the protection film from any steel surfaces (if any)  
Connect the power plug to a properly grounded power socket and turn the switch on.  
Set the desired temperature on the thermostat.  
An unpleasant odour given off when the cupboard is turned on the first time is due to residues of grease used during manufacture.

**NORMAL USE:** Connect the power plug to a properly grounded power socket and turn the switch on.  
Set the desired temperature on the thermostat.  
When the machine reaches the set temperature, the thermostat will maintain the set value automatically.

**END OF USE:** After use, switch off and disconnect the appliance from the electricity supply. **ALLOW THE APPLIANCE TO COOL DOWN** before cleaning it according to the instructions provided (see paragraph "Cleaning").



## Instructions for users



Before handling the Countertop Hotplates With Dome make sure that the ON/OFF switch has been turned off, the appliance has been disconnected from the electricity supply.

The Countertop Hotplates With Dome been designed for food distribution, ensuring the quality and hygiene conditions of food. For this reason, it is necessary to remove the food contained in the appliance at the end of meal service and store it in suitable storage units.

If the appliance is not used for periods longer than a week, clean it thoroughly and keep in a dry place, disconnected from the electricity supply.

## Maintenance and Cleaning



Before carrying out any maintenance activity, disconnect the cupboard from the electricity supply and allow to cool before starting to clean.  
Any maintenance on electric components must be carried out by qualified technicians only.

**EXTERNAL PART CLEANING:** Use a soft cloth and a neutral detergent Never use products like chlorine, bleach, etc., that may corrode or damage stainless steel.



Do not clean the surfaces with a steel scouring pad, brush or steel scraper.

Do not clean the appliance with a water jet.

When cleaning parts of the appliance close to the electric box, pay attention to water splashing.

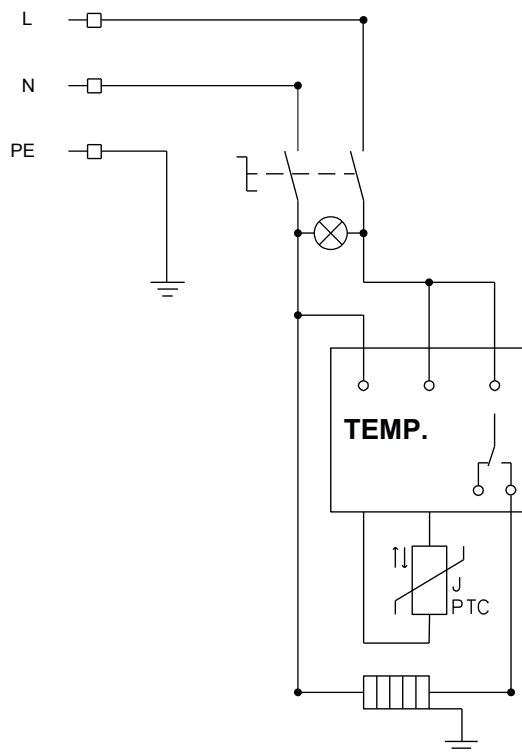
**MAINTENANCE:** Before switching on the appliance, check that, the power cable is not damaged. If necessary, replace it with a similar one.

**MALFUNCTIONING:** In case of failure, malfunctioning or poor performances, contact the Dealer's Technical Assistance.

## Diagnostics and troubleshooting

PROBLEM	LIKELY CAUSES	SOLUTIONS
THE COUNTERTOP HOTPLATES WITH DOME DOES NOT HEAT	The heating element does not heat	Contact the Dealer's Technical Assistance
	Faulty and/or broken thermostat	Contact the Dealer's Technical Assistance
THE ON/OFF SWITCH WARNING LIGHT DOES NOT ILLUMINATE	The warning light of the switch and/or the switch itself are broken	Contact the Dealer's Technical Assistance
	No power supply	Check connection to the electricity supply

## Wiring Diagram and Connections



## Spare parts

Pos.	Code	Description	9060	9070	9072
1	003252060001	Switch	x	x	x
2	003252060002	Switch protective cover	x	x	x
3	003201820001	Thermostat	x	x	x
4	003001040013	Heating element 450W	x	x	x
5	021200750003	Aluminium adhesive per sq. metre	x	x	x
6	433004250001	Perspex dome with accessories	x		
7	233004200004	Left-hand side in Perspex for dome		x	
7	233004200009	Left-hand side in Perspex for dome			x
8	233004200005	External sliding door		x	
8	233004200007	External sliding door			x
9	233004200001	Right-hand side in Perspex for dome		x	
9	233004200010	Right-hand side in Perspex for dome			x
10	233004200006	Internal sliding door		x	
10	233004200008	Internal sliding door			x

