

09/2017

# Mod: ML80-PU

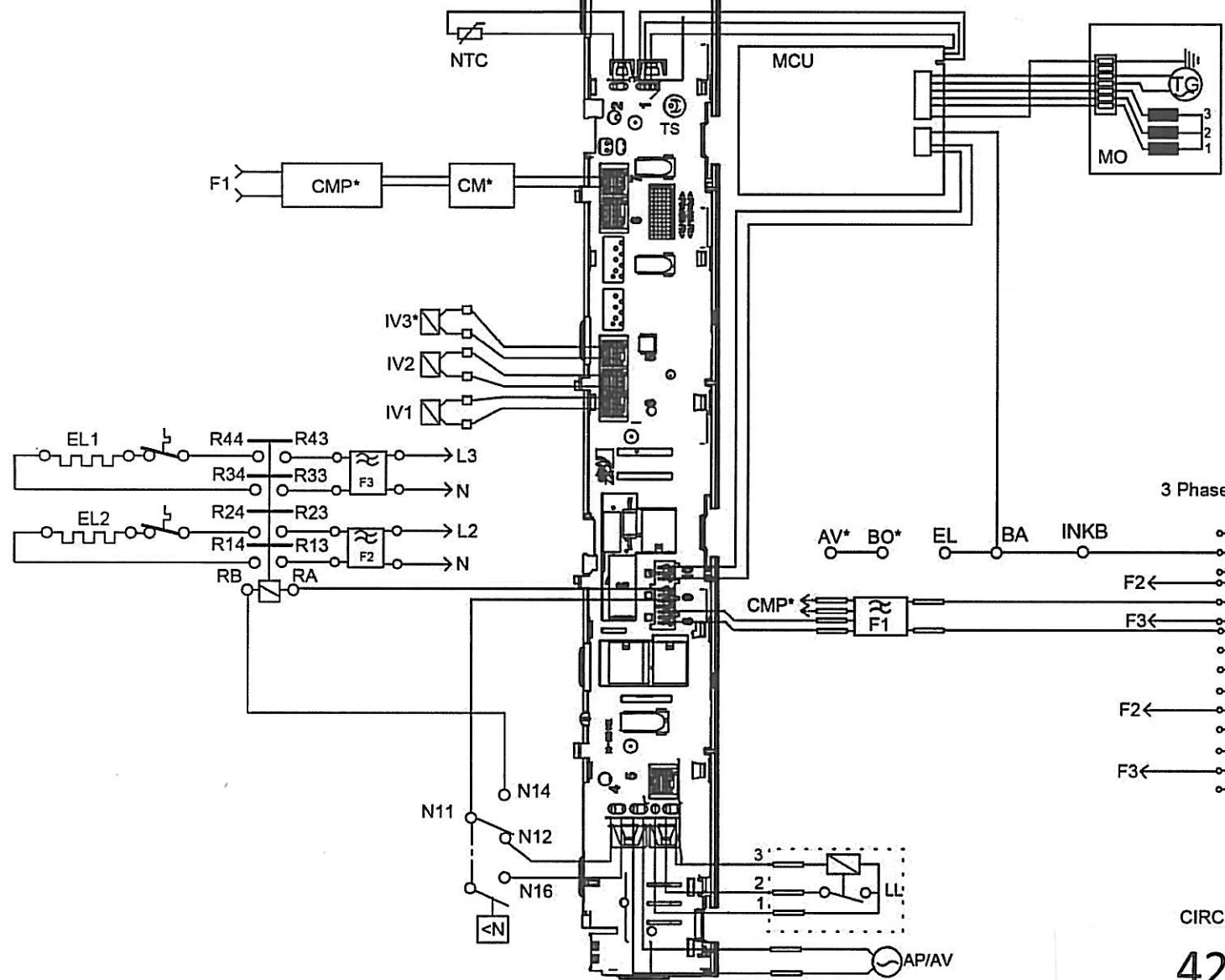
Production code: LM 80 PEDP



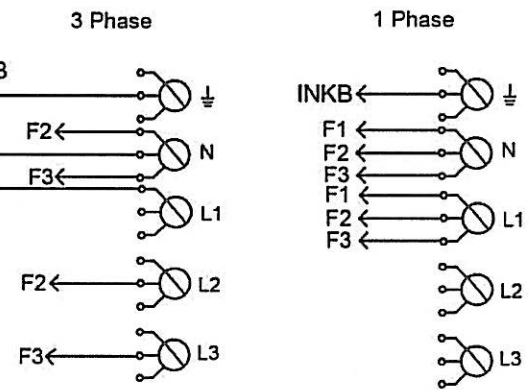
**Diamond**  
catering equipment

——— WIRES IN ALL MACHINES  
 - - - INTERNAL CONNECTION  
 \* CONNECTED IN SOME MACHINES

- CABLE POSITIONS**
- 1: MOTOR COMMUNICATION
  - 2: THERMISTOR
  - 3: INLET VALVES
  - 4: DOOR LOCK, DRAIN PUMP, PREASSURE SWITCH
  - 6: COMMUNICATION INTERFACE
  - 7: COIN METER
  - 8: POWER
  - 9: HEATING ELEMENT, PREASSURE SWITCH
  - 10: MOTOR POWER



Heaters	Connection
7000 W (3500 + 3500)	3 phase 16 A
4400 W (2200 + 2200)	3 phase 10 A
3000 W (2000 + 1000)	3 phase 10 A
3000 W (2000 + 1000)	1 phase 16 A



2012-11-27  
CIRCUIT DIAGRAM WM80.C

426179 - 02

This document must not be copied without our written permission, and the contents thereof must not be imparted to a third party nor be used for any unauthorized purpose. Contravention will be prosecuted. Asko Appliance AB



**SERVICE MENU**

TURN OFF POWER (S1)  
 WAIT FOR AT LEAST 5 SEC  
 HOLD S4  
 TURN ON POWER (S1)  
 PRESS S4 5 TIMES TO ENTER SERVICE MENU

PRESS DOOR OPENING (S5) TO CHANGE MENU STEP  
 ROTATE DIAL TO CHANGE IN STEP  
 PRESSING START/STOP (S4) STORES AND EXITS SERVICE MENU

**USER SETTINGS MENU**

TURN OFF POWER (S1)  
 WAIT FOR AT LEAST 5 SEC  
 HOLD S5  
 TURN ON POWER (S1)  
 PRESS S5 5 TIMES TO ENTER MENU

RESISTANCES AT ROOM TEMPERATURE (CA. 20°C/68°F)  
 VALUES WITHIN +/-10% ARE REGARDED AS NORMAL COMPONENT

F: RADIO INTERFERENCE SUPPRESSION FILTER	680K Ohm
EL: HEATING ELEMENT	25 Ohm
AP: DRAIN PUMP 50 Hz	144 Ohm
AP: DRAIN PUMP 60 Hz	76 Ohm
AV: DRAIN VALVE	110/134 Ohm
LL: DOOR LOCK, 1-2	122 Ohm
NTC: THERMISTOR	6.1 - 3.8 K Ohm
IV 1: INLET VALVE 1	3.7 K Ohm
IV 2: INLET VALVE 2	3.7 K Ohm
IV3: INLET VLAVE 3	3.5 K Ohm
MO: MOTOR, 1-3	4,3±7% Ohm
	1-2
	2-3
MCU: MOTOR CONTROL UNIT	
N: PRESSURE SWITCH	
TS: PRESSURE SENSOR	
TG: TACHO GENERATOR	
BA: CONTAINER	
INKB: INCOMING GROUND	
CI: COMMUNICATIONS INTERFACE	
CMP: COIN METER POWER BOARD	
CM: COIN METER	

2012-11-27

CIRCUIT DIAGRAM WM80.C

426179 - 02

This document must not be copied without our written permission, and the contents thereof must not be imparted to a third party nor be used for any unauthorized purpose. Contravention will be prosecuted.  
 Asko Appliance AB