

06/2017

# Mod: ML80-PU

Production code: LM 80 PEDP



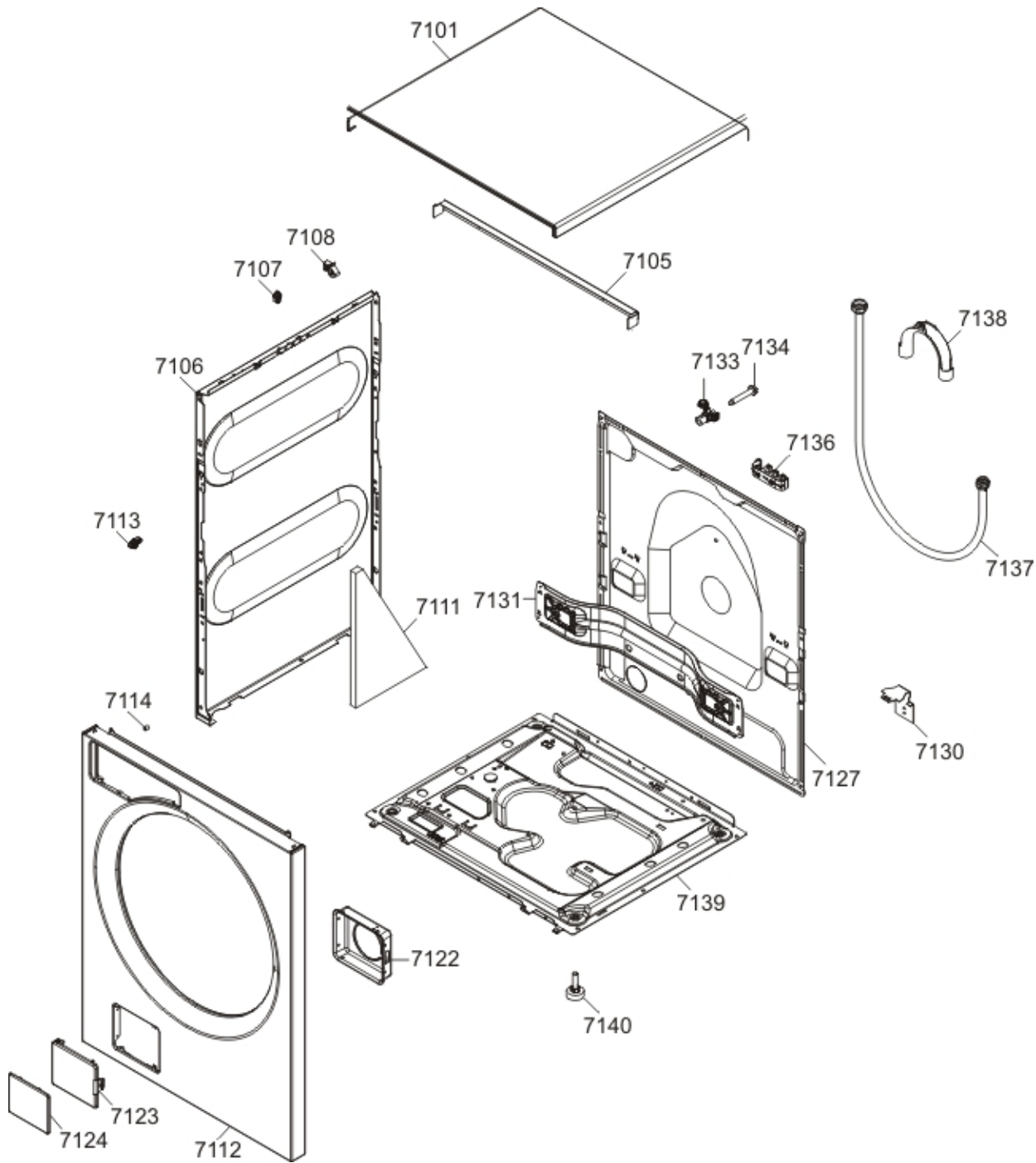
**Diamond**  
catering equipment

# SPARE PARTS LIST

Date 14.10.2015  
Time 14:35:58

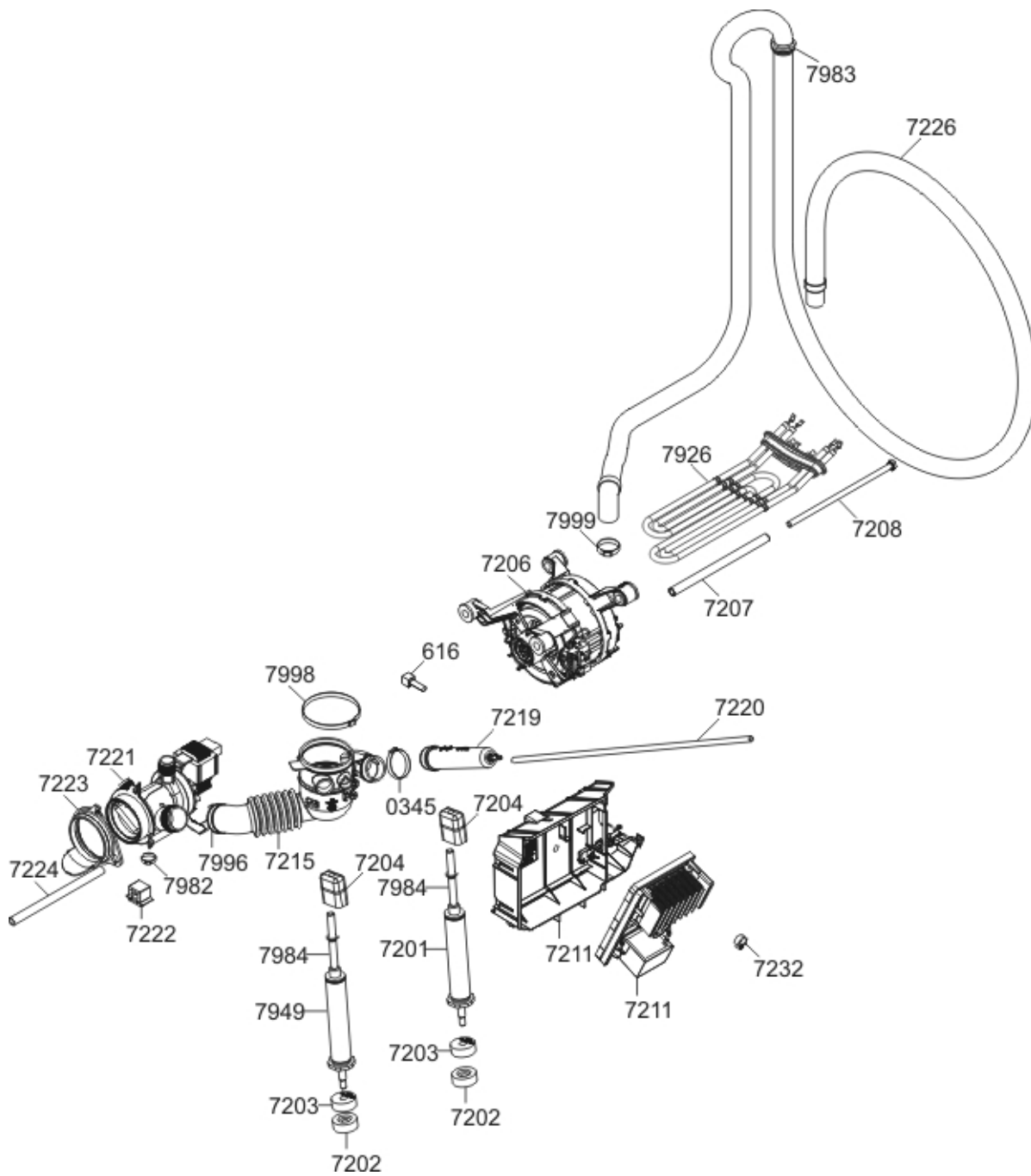
Type	Model	Art. No.	Brand name	Version	Service index
WM80.C	LM 8 PEDP	428272	DIAMOND	17.9.2015	02

## 021720



Position	Ident	Spare part description	Quantity	Price/pcs []	Validity	Asko
7101	408557	COVER/WORKTOP WMD-80.C NR	1			
7106	408561	CABINET SIDE PANEL WMD-80 LA022A	2			
7107	413707	COVER HOLDER WMD-70	4			
7108	413814	WIRING HARNESS HOLDER WMD-70 UL4	6			
7111	252181	SOUND DEAD.SHEET OUTLET HOSE	1			
7112	457579	FRONT PANEL WM-80 KPL NR	1			
7113	412257	FRONT PANEL LATCH WM-70 UL4	4			
7114	228893	PLASTIC GUIDE FRONT PLATE	2			
7122	503186	FILTER PROTECTION WM-70	1			
7123	414432	FILTER COVER 2502-B WM-70 NR UL4	1			
7124	454773	FILTER COVER LID NR WM-70	1			
7127	503178	REAR PANEL WM-70	1			
7130	503168	BAG SET ATTACHMENT WM-70.C ASSY	1			
7131	503261	BLOCKADE HOLDER WM-70	1			
7133	413852	TRANSPORT INSERT WM-70	3			
7134	270698	SCREW M10X65 TT FZB	3			
7136	413811	HOSE HOLDER WMD-70	2			
7137	185299	SUPPLY HOSE L1500 D15X2,5 3/4-3/4 BK	2			
7138	498220	DISCHARGE HOSE BOW POM	1			
7139	370606	BOTTOM WM-80	1			
7140	499533	ADJUSTABLE FOOT PS-10 ASSY	4			

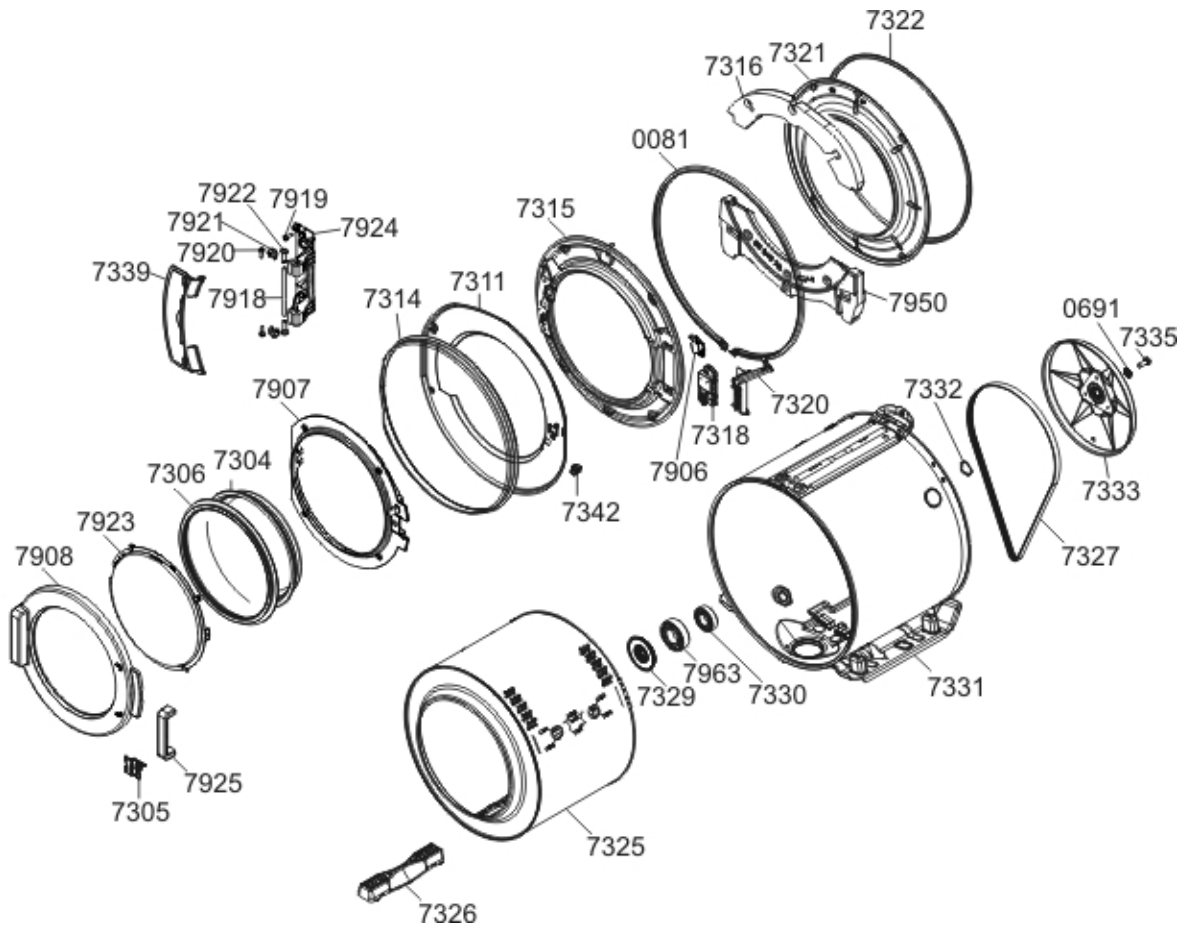
**022719**



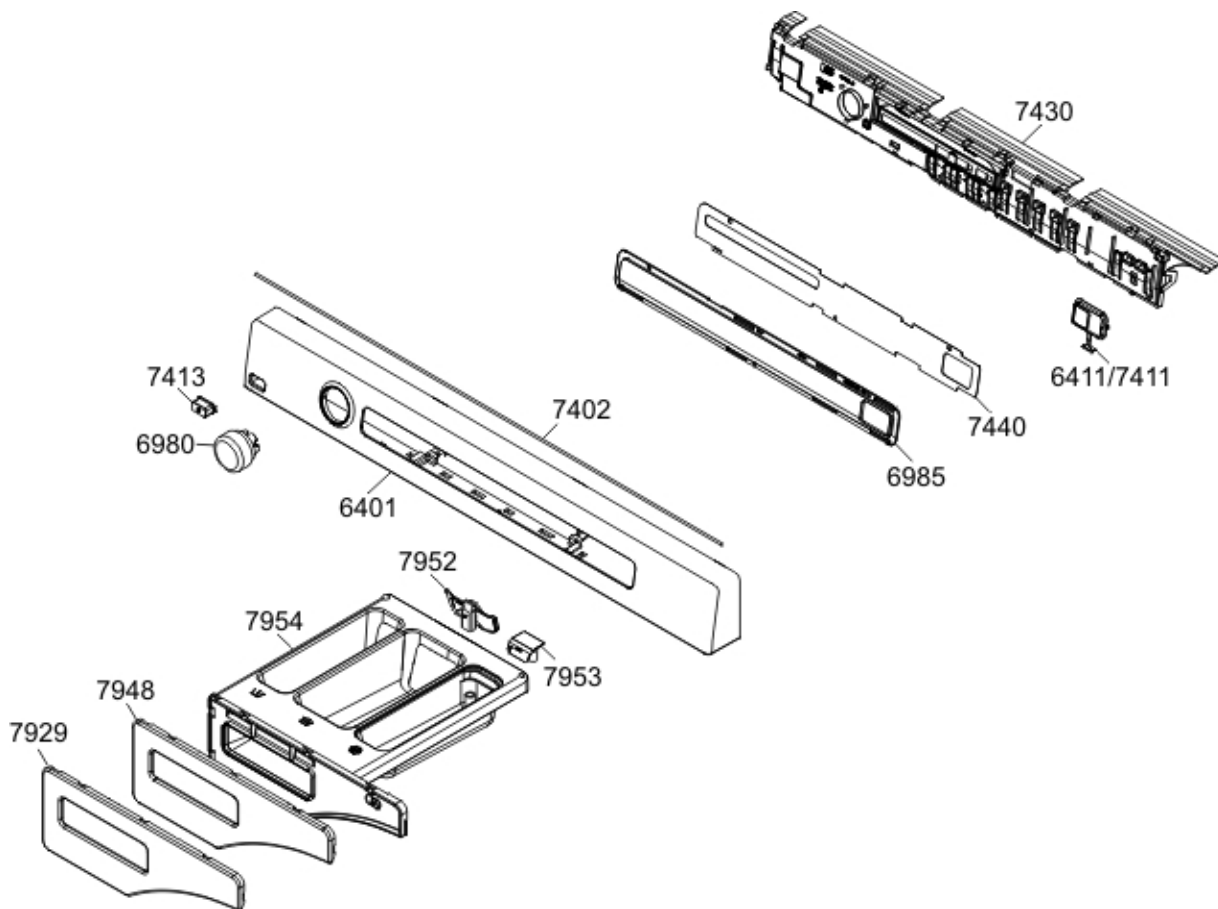
Position	Ident	Spare part description	Quantity	Price/pcs [ ]	Validity	Asko
0345	537874	CLAMP - WIRE D 38	1			
0616	581213	TEMPERATURE SENSOR .NTC EPCOS	1			
7201	415388	TUB SHOCK ABSORBER WM-80 KPL	2			
7202	270755	SPRING LEG DAMPER WM-70	4			
7203	270772	SPRING LEG DAMPER WM-70	4			
7204	270777	PISTON ROD DAMPER WM-70	1			
7206	271067	MOTOR	1			
7207	419002	BUSH WM-70	2			
7208	237689	SCREW 8.8 M8X205 FZB	2			
7211	271987	INVERTER	1			

Position	Ident	Spare part description	Quantity	Price/pcs [€]	Validity	Asko
7215	370602	HOSE TUB-FILTER WM-80 UL4	1			
7219	503182	HYDROSTAT CAP WM-70	1			
7220	479671	HOSE PS-03 L527	1			
7221	183435	FILTER HOUSING WITH PUMP 230V/50HZ	1			
7222	252146	RUBBER BUFFER,DRAIN PUMP	2			
7223	247550	RUBBER RING DRAINPUMP	1			
7224	503183	HOSE D12/D8 L180 WM-70	1			
7226	415067	DISCHARGE HOSE L2800 WM-80 UL4	1			
7232	252089	CABLE HOLDER SMALL	2			
7926	513004	HEATER 230V/4400W WM-75/85	1			
7949	415390	TUB SHOCK ABSORBER WM-80.C	2			
7982	252005	BELT CLAMP D14,8	1			
7983	413866	DISCHARGE HOSE HOLDER WM-70	2			
7984	422638	PISTON ROD L138 WM-80	1			
7996	252050	CLAMP D42,5	1			
7998	252084	CLAMP D80,0	1			
7999	438429	CLAMP D29,5	1			

## 023705



Position	Ident	Spare part description	Quantity	Price/pcs [ ]	Validity	Asko
0081	587333	CLAMP PS-03	1			
0691	587646	WASHER 10,5X30X3	1			
7304	236769	FRONT GLASS D306X42MM WM2	1			
7305	371239	DOOR STUCKER WM-80 S 2502-B	1			
7306	415427	DOOR SEAL WM-80.C UL4	1			
7311	439189	BLEND TUB WM-80 LA022A KPL	1			
7314	415422	GASKET WM-80 S 5502-Y	1			
7315	370669	OUTER WALL TUBS WM-80	1			
7316	262556	BALANCE WEIGHT 5,1 KG	1			
7318	370946	DOOR LOCK WM-80 UL4	1			
7320	370663	DOOR LOCK COVER WM-80	1			
7321	503244	INNER WALL TUBS WM-70	1			
7322	268551	SEALING STRIP FRONT GABLE WM7	1			
7325	415139	DRUM D480 WM-80 KPL	1			
7326	381458	DRUM RIB WM-80	3			
7327	415387	BELT EPJ L1225 WM-80	1			
7329	370637	SEALING RING WM-80	1			
7330	247805	BALL BEARING 6206 2RS MTSRL	1			
7331	415228	TUB 7KW WM-80.C KPL	1			
7332	247962	SCALE WASHER 37X30,5X0,5	1			
7333	448289	BELT PULLEY WM-70 F KPL	1			
7335	247972	SCREW BUFO 8,8 10X25 GALV	1			
7339	370665	HINGE COVER WM-80.C LA022S5	1			
7342	413867	DOOR GLASS GUIDE WM-70	1			
7906	371041	EMERGENCY OPENING LEVER WM-80	1			
7907	371076	INTERIOR DOOR FRAME WM-80.C	1			
7908	371085	DOOR FRAME-EXTERIOR WM-80.C	1			
7918	419003	BOLT WM-80.C	1			
7919	415771	SCREW M5 MFT 8.8 FZB L16	4			
7920	247918	VIJAK MRT-GF 5X16 T25 FZB	2			
7921	371478	SHAFT LOCK DOOR HINGE WM-80.C	2			
7922	371150	HINGE BUSH WM-80.C	2			
7923	490975	BLEND WM-80.C	1			
7924	371151	DOOR HINGE WM-80.C	1			
7925	371137	DOOR HANDLE WM-80.C LA022A	1			
7950	415389	COUNTERWEIGHT WM-80	1			
7963	247806	BALL BEARING 6207-2RS	1			



Position	Ident	Spare part description	Quantity	Price/pcs [€]	Validity	Asko
6401	503102	FRONT PANEL WMD-70.2 LA022S5	1			
6411	349657	KEY START/STOP TD-70.2 S 9000-N SIGN	1			
6980	192018	KNOB OEM WMD-70.2 LA022S5	1			
6985	414593	DISPLAY PLATE WMD-70.C UL4	1			
7402	266986	GASKET D3,1X570	1			
7413	268559	KEY ON/OFF WMD-70.2 LA022S5 UL4	1			
7430	443008	CONTROL UNIT CIM 80.C-12-8-DP-S05-CM	1			
7430	515482	CONTROL UNIT SERVIS WM-80.C NTC	1			
7440	269231	LABEL	1			
7929	415374	SOAP DISP.HANDLE COVER WM-80 NR	1			
7948	477209	SOAP DISPENSER HANDLE WM-80 NR	1			
7952	489767	LIQUID DETERGENT INSERT WM-80	1			
7953	489764	SOFTENER INSERT WM-80	1			
7954	489775	SOAP DISPENSER DRAWER WM-80 KPL	1			



Position	Ident	Spare part description	Quantity	Price/pcs []	Validity	Asko
7903	512719	BALANSING SPRING INSERT WM-70	2			
7928	439168	HOSE D15/D10X380 WRAS WM-80	1			
7947	250676	TERMINAL CONNECTION 5P Z12.5 GK	1			
7951	489768	SOAP DISPENSER HOUSING WM-80 KPL	1			
7956	477206	SEALING FRAME WM-80 LA022S5	1			
7962	252010	BELT CLAMP D17,0	3			
7994	252012	CLAMP D21,0	1			
7995	251922	CLAMP D56,0	1			

**027738**

SET KABELSKI  
WIRING HARNESS  
KABELBAUM  
CABLAGE ASSEMBLE

Position	Ident	Spare part description	Quantity	Price/pcs []	Validity	Asko
6956	413561	WIRING HARNESS WMD-70.C	1			
6962	412902	WIRING HARNESS-BRIDGE TD-70	1			
7468	413536	EARTHING CONDUCTOR BA-BO L850/470 RU/ZE	1			
7902	498898	WIRING HARNESS NTC WM-80	1			
7939	501729	WIRING HARNESS COIN OP.WMD-70.C KPL	1			
7941	187488	EARTH.CONDUCTOR BA-EL2-EL1 YE/GN UL4	1			
7957	415246	WIRING HARNESS IV3 WM UL4	1			
7958	415248	WIRING HARNESS R23-R13-F2 WM-80 UL4	1			
7959	415249	WIRING HARNESS R43-R33-F3 WM-80 UL4	1			

Position	Ident	Spare part description	Quantity	Price/pcs []	Validity	Asko
7960	370629	WIRING HARNESS N AV LL WM-80 UL4	1			
7961	370624	WIRING HARNESS EL WM UL4	1			
7965	370627	WIRING HARNESS MC P CIM WM-80 UL4	1			
7966	370626	WIRING HARNESS MC C CIM WM-80 UL4	1			
7968	370632	WIRING HARNESS P WM-80 UL4	1			
7969	370625	WIRING HARNESS IV WM-80 UL4	1			
7986	414486	WIRING HARNESS EM A WM-70 UL4	1			