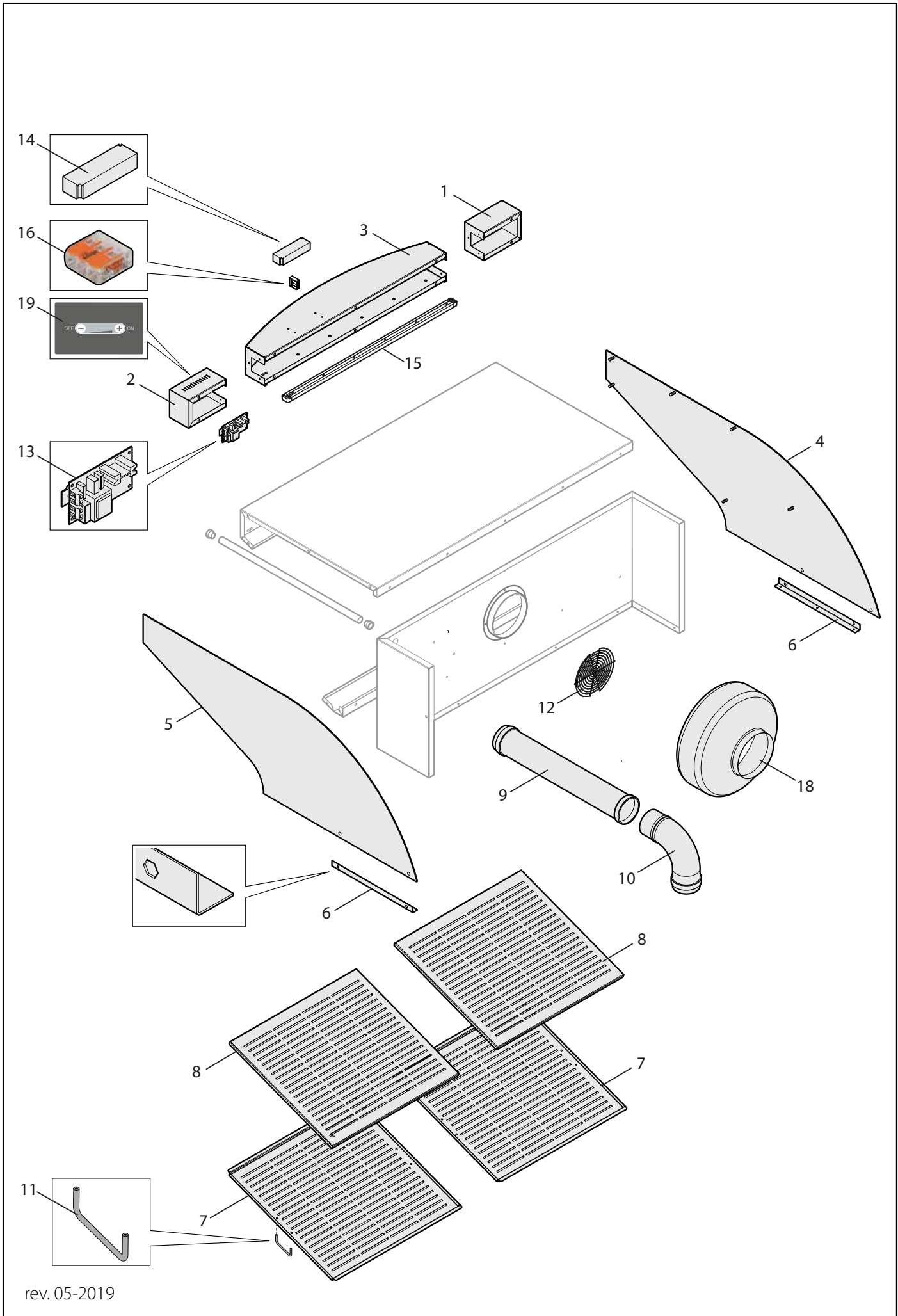


08/2021

Mod: KCGD/AS-DG

Production code: KCR835AS-HL



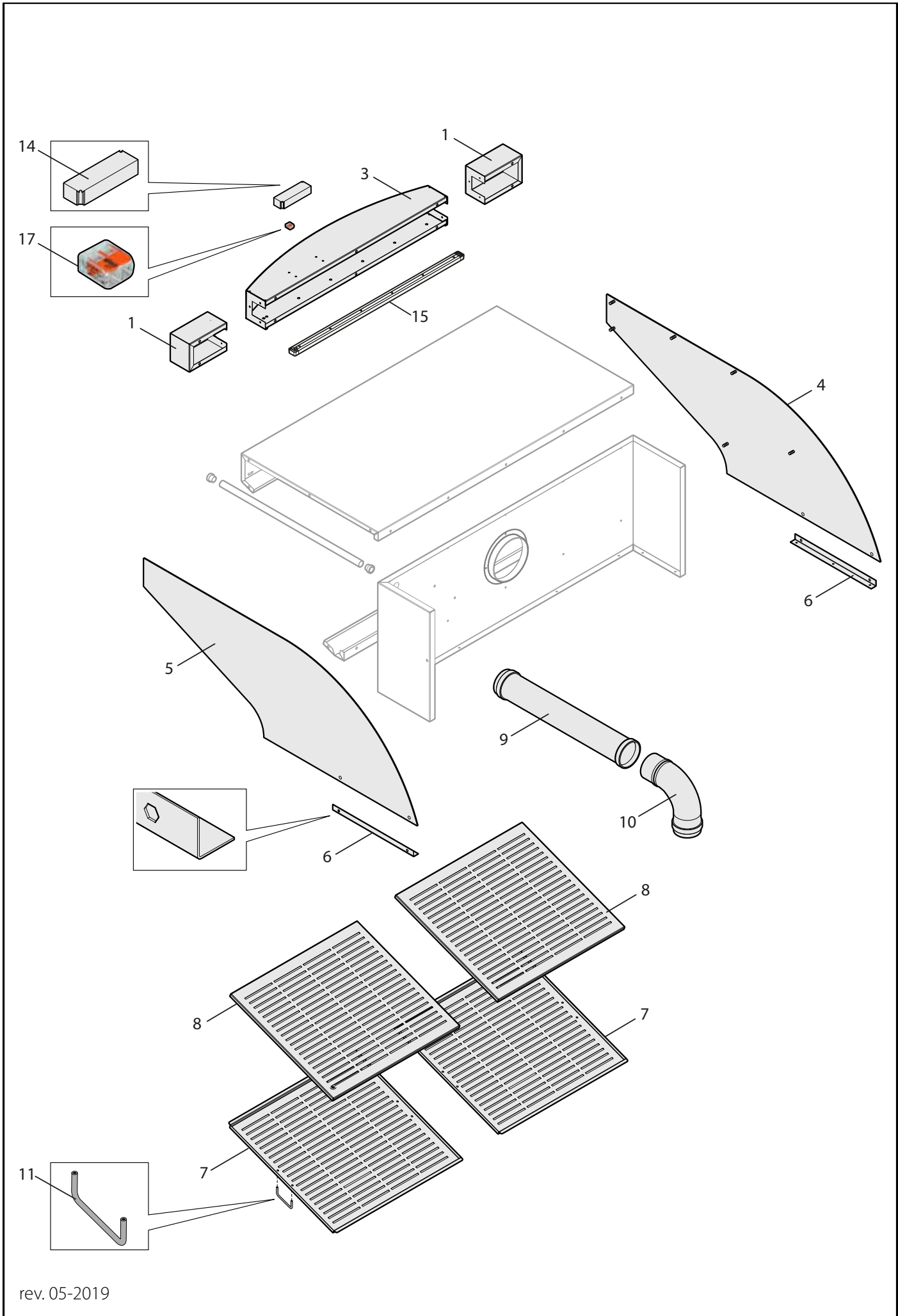


TABLE 1 / TABLE 2						
POS.	MODEL	VERSION	CODE	DESCRIPTION	SERIAL NUMBER	DATE
1			75400000	LH COLUMN		
2			75400010	RH COLUMN		
3			75420000	COMPLETE BED		
4	CR5		75450000	LH HOOD SHOULDER		
	CR8		75450001	LH HOOD SHOULDER		
5	CR5		75450010	RH HOOD SHOULDER		
	CR8		75450011	RH HOOD SHOULDER		
6	CR5		75400070	FIXING CORNER		
	CR8		75400071	FIXING CORNER		
7			75400080	EXTERNAL FILTE		
8			75400090	INTERNAL FILTER		
9	CR5		70100030	FEM-FEM TUBE 80X505 316L BA		
	CR8		70100036	FEM-FEM TUBE 80X765 316L BA		
10			70100020	MALE-FEM CURVE 80-90 316L BA		
11			70400280	STAINLESS STEEL HANDLE FOR HOOD FILTERS		
12			70500011	FAN PROTECTION GRILLE		
13			70600407	HOOD LED POWER SUPPLY		
14			70600313	HOOD LED LIGHT POWER SUPPLY		
15			70600300	HOOD LED LAMP L722		
16			70600142	WAGO TERMINAL 450V 32A - 3 INPUTS		
17			70600141	WAGO TERMINAL 450V 32A - 2 INPUTS		
18			70600390	ASPIRATOR VT150		
19			71000050	HOOD POLYCARBONATE FRONT AS CP		