

01/2023

Mod: ICE400ISA

Production code: MUSTER 350A



ICE400ISA

From s/n. 377386

LIST OF THE EXPLODED VIEWS



SHELL ASSY

COOLING SYSTEM

EVAPORATOR

PUMP

ELECTRIC PARTS

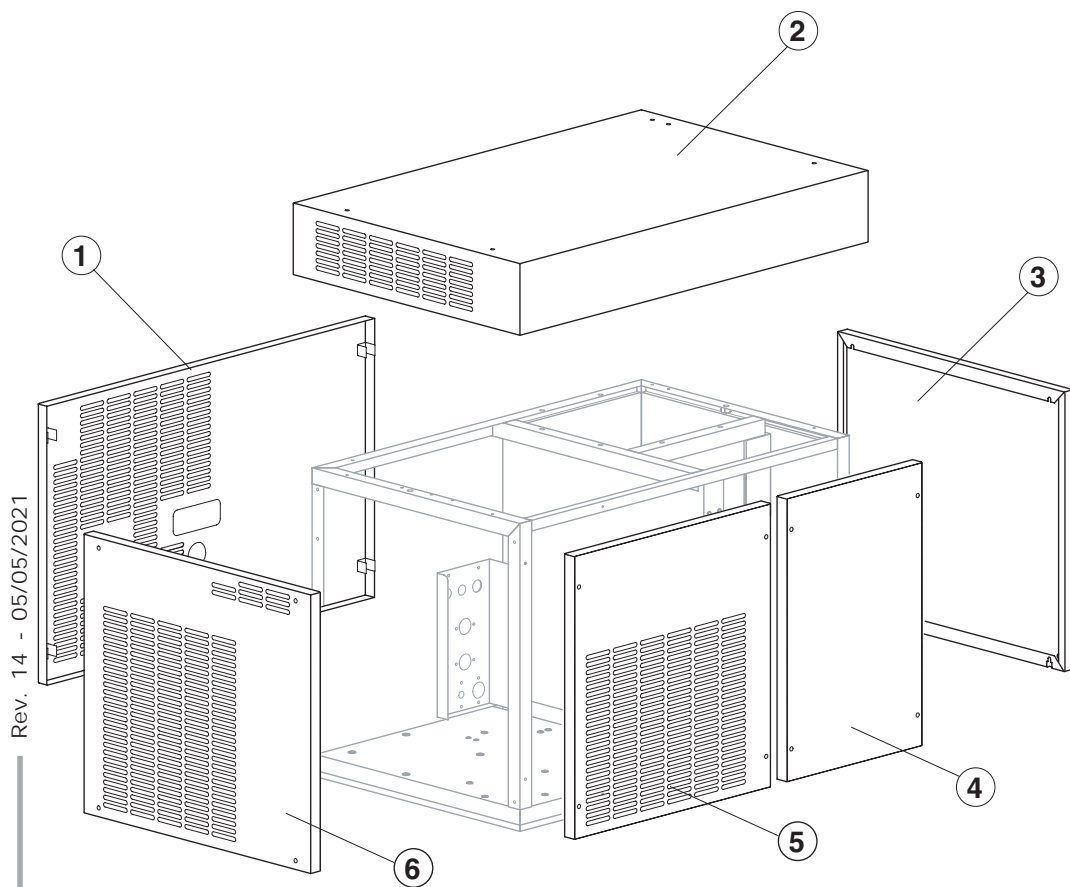
Rev. 14 - 05/05/2021



ICE400ISA

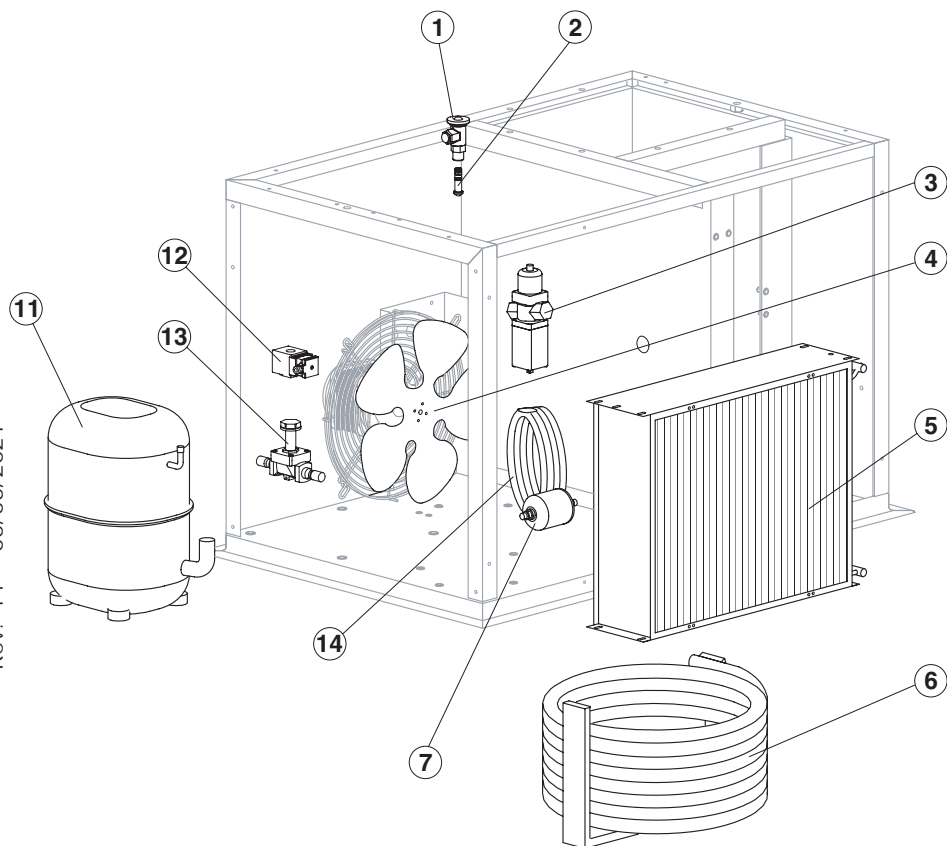
From s/n. 377386

SHELL ASSY



Rev. 14 - 05/05/2021

Ref.	Spare Description	Code
1	Rear Panel	22427
2	Top Assembly	C22422
3	Right Side Panel	22425
4	Front Panel Assy (Evaporator Side)	22424
5	Front Panel (Condenser Side)	C22423
6	Left Side Panel	22426



Common Parts

Ref.	Spare Description	Code
1	Expansion Valve	20734
2	Orifice	Current Version 20943
2	Orifice	Till s/n. 471184 20797
7*	Solid Core Drier	14084
11	Compressor	See Table
12*	Hot Gas Valve Coil	231294
13*	Hot Gas Valve Body	201162

Parts for Air-Cooled Version Only

Ref.	Spare Description	Code
4	Sucking Fan	20407
5	Air Condenser	20670

Parts for Water-Cooled Version Only

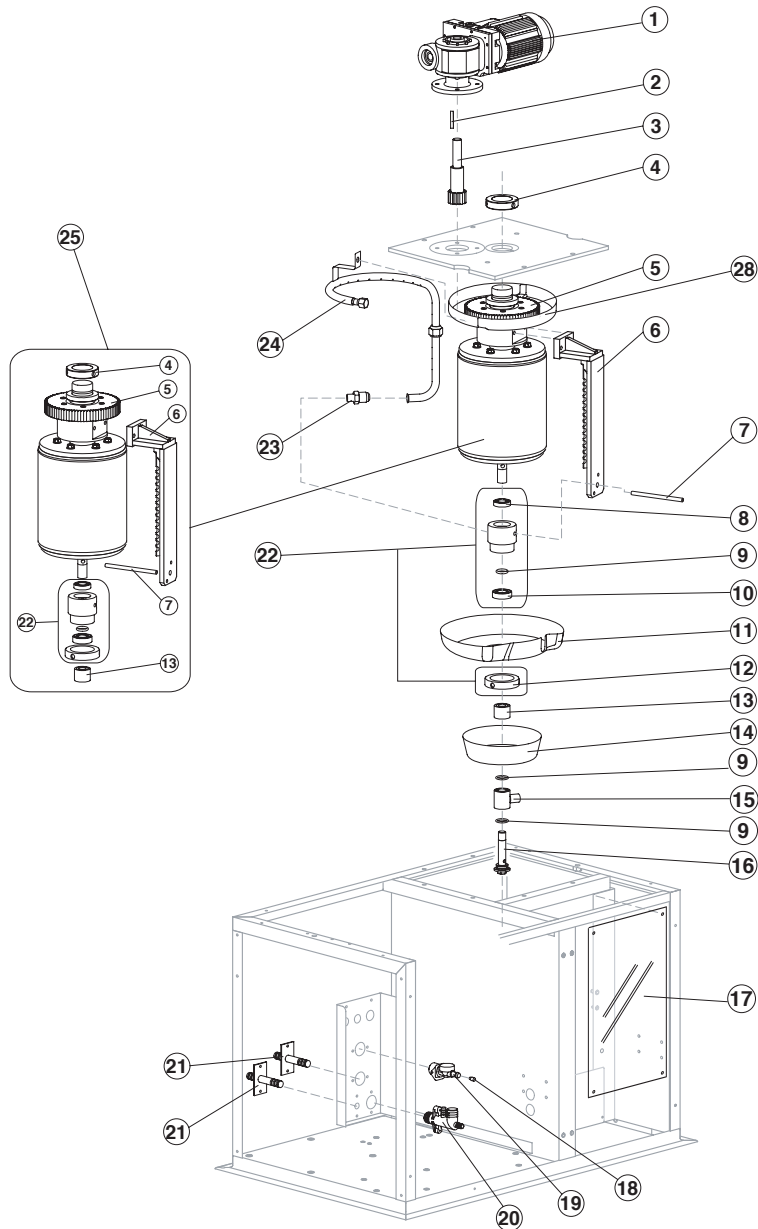
Ref.	Spare Description	Code
3	Pressostatic Valve	20149
6	Water Condenser	14507

Parts for Mixed Cooled Version Only

Ref.	Spare Description	Code
4	Sucking Fan	20407
5	Air Condenser	20670
14	Water Condenser	14014

Ref. 10- Compressor

Voltage	Code
220-240V ~ 50Hz	23514
220-230V ~ 60Hz	23515
400-415V 3~ 60Hz	23516
220-230V 3~ 60Hz	23564



Common Parts

Ref.	Spare Description	Code
1	Gearmotor Assy	See Table
2	Key 6x6x40	20350
3	Pinion with Shaft for Gearmotor	C20344
4	Cylinder Locking Ring Nut	20324
5	Ring Gear	20354
6	Scraper	20846
7	M8 Tie Rod (to Block Scraper)	20329
8	Stainless Steel Upper Bearing	20531
9	Silicone OR 4081 Ring	20338
10	Stainless Steel Bearing	20045
11	Rotating Basin	10184
12	Ring Nut for Rotating Ring	10182
13	Spacer	10519
14	Fixed Basin	C10598
15	Water Inlet Ring	20851
16	Screw	20849
17	Evaporator Chamber Shield	10523
19	1 Way- Water Inlet Nipple	10239
20	Discharges Manifold	10580
22	Complete Rotating Ring	C10180
23	Joint	20335
24	Sprayer Ring	C20858
25	Evaporator	C11253
28	Ring Gear Cover	From s/n. 551986 C10629

Parts for Mixed Cooled Version Only

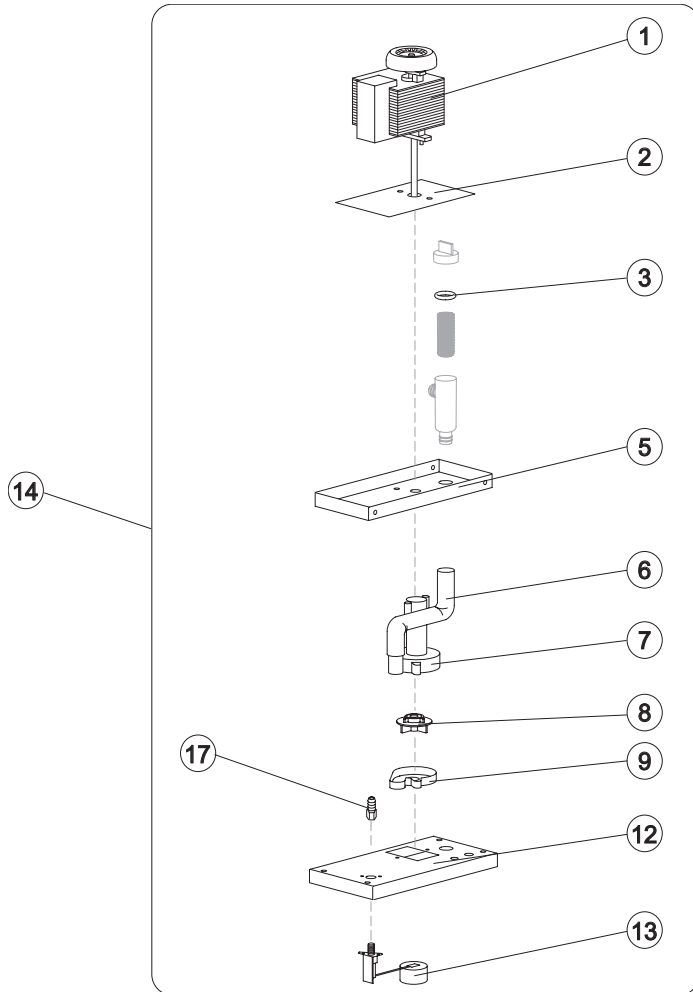
Ref.	Spare Description	Code
18	Lt. 1,2 Flow Control for Water Inlet Connector	10011
21	Connection with Plate	C20462

Parts for Water-Cooled Version Only

Ref.	Spare Description	Code
21	Connection with Plate	C20462

Ref. 1- Gearmotor assy

Voltage	Code
50Hz	C23412
60Hz	C23389



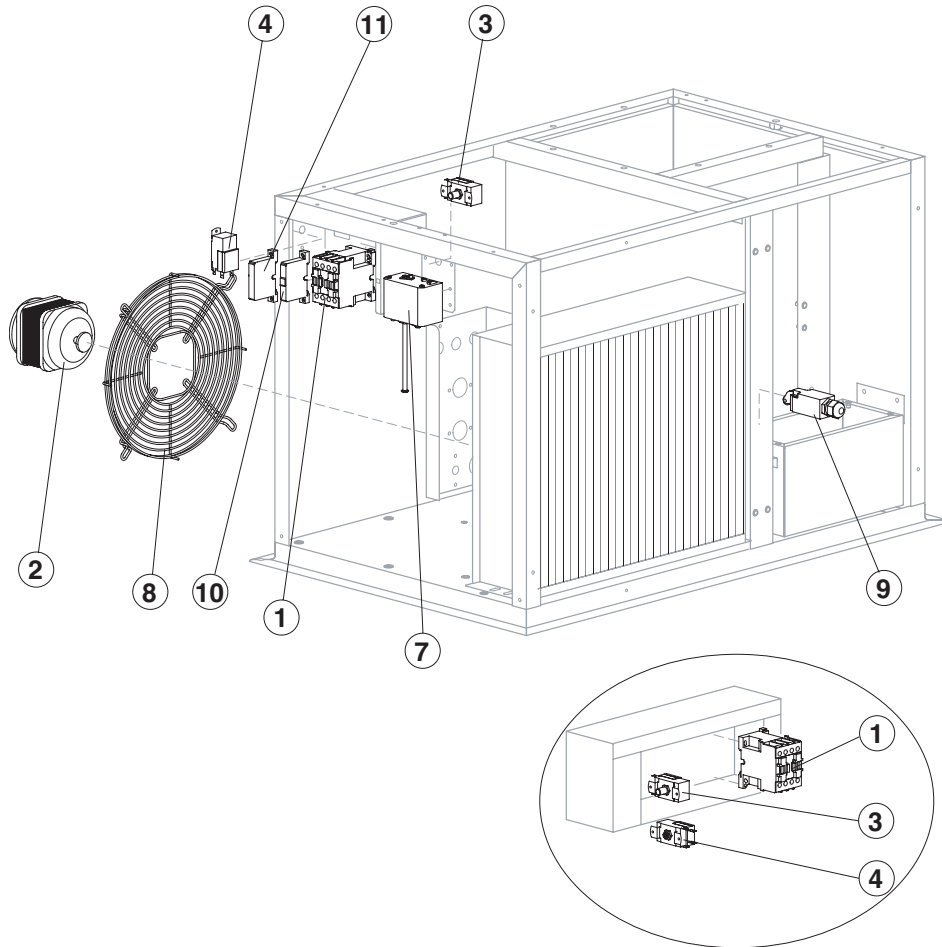
Ref.	Spare Description	Code
1	Pump	See Table
2	Heat Dissipator	22430
3	Pump Filter Gasket	13080
5	Pump Motor Support	10161
6	Pump-Filter Connection Pipe	13084
7	Pump Body	10065
8	Pump Impeller	10190
9	Diffusor	10067
12	Water Pump Basin Cover	22420
13*	Floating Valve	10188
14*	Pump and Filter Assy	See Table
17	Connection	20799

Ref. 1 - Pump Motor

Voltage	Code
220-240V ~ 50Hz	R23073
220-230V ~ 60Hz	23187
230V 3~ 50Hz	R23073
400-415V 3~ 60Hz	R23073
220-230V 3~ 60Hz	23187

Ref. 14* - Pump and Filter Assy

Voltage	Code
220-240V ~ 50Hz	C26736
220-230V ~ 60Hz	C26737
230V 3~ 50Hz	C26736
400-415V 3~ 60Hz	C26736
220-230V 3~ 60Hz	C26737



Common Parts

Ref.	Spare Description	Code
1*	Contactor	See Table
3	Safety Pressure Switch (Maximum Pressure)	23342
4*	Bin Thermostat	23005
7	Safety Pressure Switch (Minimum Pressure)	23763
9	Microswitch for Overflow Ice	23746
10	Thermomagnetic circuit breaker	23910
11	Electronic Delay Timer	From s/n. 515704 231033

Parts for Air-Cooled and Mixed Cooled Version Only

Ref.	Spare Description	Code
2*	Fan Motor	23121
8	Fan Motor Grid	12056

Ref. 1*- Contactor

Voltage	Code
220-240V ~ 50Hz	23147
220-230V ~ 60Hz	23963
400-415V 3~ 60Hz	23147
220-230V 3~ 60Hz	23963