

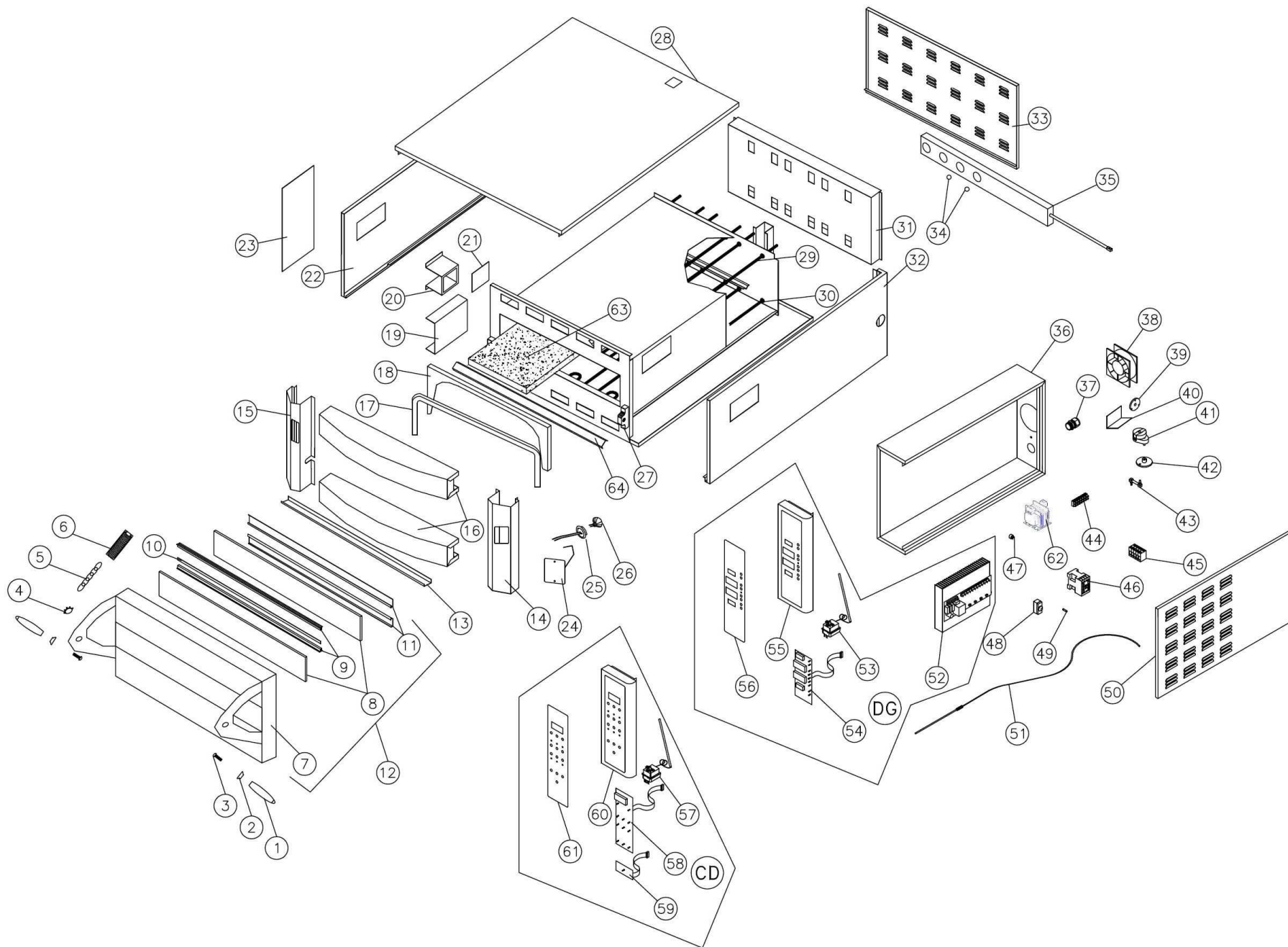
07/2015

Mod:GDX9/35-DP-(230/3)

Production code: MX935/1M(230/3)



Diamond
catering equipment



Parti di ricambio - Spare parts – Ersatzteile - Pieces de rechange - Piezas de repuesto - Запасные части

| Nr. | Codice Code Código | Descrizione | Description | Beschreibung | Description | Descripción | Описание |
|-----|--------------------|---------------------------------|-----------------------------------|-----------------------------------|--|---------------------------------------|--------------------------------------|
| 1 | 91510001 | MANOPOLA CON INSERTO NERA | BLACK INLAY KNOB | DREHKNOPF MIT SCHWARZEM EINSATZ | MANETTE AVEC INSERT NOIRE | MANGO NEGRO CON INSERTO | РУЧКА С ВСТАВКОЙ ЧЕРНОГО ЦВЕТА |
| 2 | 91510051 | RONDELLA SALVAMANI NERA | FLAT HAND PROTECTION WASHER | HANDSCHUTZGUMMI SCHWARZ | RONDELLE DE PROTECTION DES MAINS NOIRE | ARANDELA PROTECCIÓN MANOS NEGRA | ЗАЩИТНАЯ ШАЙБА ЧЕРНОГО ЦВЕТА |
| 3 | 91110007 | VITE INOX TBE M12x30 | STAINLESS STEEL TBE M12x30 SCREWS | SCHRAUBE EDELSTAHL TBE M12x30 | VIS INOX TBE M12x30 | TORNILLO INOX TBE M12x30 | ВИНТ ИЗ НЕРЖАВЕЮЩЕЙ СТАЛИ TBE M12x30 |
| 4 | 91410445 | PIGNONE Z17 - 3/8 | PINION Z17 - 3/8 | RITZEL Z17 - 3/8 | PIGNON Z17 - 3/8 | PIÑÓN Z17 - 3/8 | ЗУБЧАТОЕ КОЛЕСО Z17 - 3/8 |
| 5 | 92910505 | CATENA PORTA | DOOR CHAIN | TÜRENKETTE | CHAÎNE PORTE | CADENA PUERTA | ЦЕПЬ |
| 6 | 92910500 | MOLLA | SPRING | FEDER | RESSORT | MUELLE | ПРУЖИНА |
| 7 | 95311010 | STRUTTURA PORTA ML 4-6 | DOOR STRUCTURE ML 4-6 | TÜRRAHMEN ML 4-6 | STRUCTURE PORTE ML 4-6 | ESTRUCTURA PUERTA ML 4-6 | СТРУКТУРА ДВЕРЦЫ ML 4-6 |
| 7 | 95311011 | STRUTTURA PORTA ML 6L-9 | DOOR STRUCTURE ML 6L-9 | TÜRRAHMEN ML 6L-9 | STRUCTURE PORTE ML 6L-9 | ESTRUCTURA PUERTA ML 6L-9 | СТРУКТУРА ДВЕРЦЫ ML 6L-9 |
| 8 | 91610037 | VETRO CERAMICO ML 4-6 762X93 | CERAMIC GLASS ML 4-6 762X93 | KERAMIKSCHEIBE ML 4-6 762X93 | VITRE CÉRAMIQUE ML 4-6 762X93 | CRISTAL CERÁMICO ML 4-6 762X93 | КЕРАМИЧЕСКОЕ СТЕКЛО ML 4-6 762X93 |
| 8 | 91610038 | VETRO CERAMICO ML 6L-9 1120X93 | CERAMIC GLASS ML 6L-9 1120X93 | KERAMIKSCHEIBE ML 6L-9 1120X93 | VITRE CÉRAMIQUE ML 6L-9 1120X93 | CRISTAL CERÁMICO ML 6L-9 1120X93 | КЕРАМИЧЕСКОЕ СТЕКЛО ML 6L-9 1120X93 |
| 9 | 95320010 | DISTANZIALE VETRI PORTA ML 4-6 | DOOR GLASS SPACERS ML 4-6 | DISTANZSTÜCKE TÜRSCHIEBEN ML 4-6 | ENTRETOISE VITRES PORTE ML 4-6 | DISTANCIADOR CRISTALES PUERTA ML 4-6 | ПРОКЛАДКА СТЕКЛА ДВЕРЦЫ ML 4-6 |
| 9 | 95320011 | DISTANZIALE VETRI PORTA ML 6L-9 | DOOR GLASS SPACERS ML 6L-9 | DISTANZSTÜCKE TÜRSCHIEBEN ML 6L-9 | ENTRETOISE VITRES PORTE ML 6L-9 | DISTANCIADOR CRISTALES PUERTA ML 6L-9 | ПРОКЛАДКА СТЕКЛА ДВЕРЦЫ ML 6L-9 |
| 10 | 95311030 | GUARNIZIONE VETRO ML 4-6 | GLASS GASKET ML 4-6 | SCHEIBENDICHTUNG ML 4-6 | JOINT VITRE ML 4-6 | JUNTA CRISTAL ML 4-6 | ПРОКЛАДКА СТЕКЛА ML 4-6 |
| 10 | 95311031 | GUARNIZIONE VETRO ML 6L-9 | GLASS GASKET ML 6L-9 | SCHEIBENDICHTUNG ML 6L-9 | JOINT VITRE ML 6L-9 | JUNTA CRISTAL ML 6L-9 | ПРОКЛАДКА СТЕКЛА ML 6L-9 |
| 11 | 95320020 | PROFILO FERMAVETRO ML 4-6 | GLASS BEADING ML 4-6 | SCHEIBENHALTEPROFIL ML 4-6 | PROFIL DE BLOCAGE VITRE ML 4-6 | PERFIL SUJECIÓN CRISTAL ML 4-6 | УПОРНЫЙ ПРОФИЛЬ СТЕКЛА ДВЕРЦЫ ML 4-6 |

| Nr. | Codice Code Código | Descrizione | Description | Beschreibung | Description | Descripción | Описание |
|-----|--------------------|-----------------------------|-------------------------------------|-------------------------------------|--|---------------------------------|---------------------------------------|
| 11 | 95320021 | PROFILO FERMAVETRO ML 6L-9 | GLASS BEADING ML 6L-9 | SCHEIBENHALTEPROFIL ML 6L-9 | PROFIL DE BLOCAGE VITRE ML 6L-9 | PERFIL SUJECIÓN CRISTAL ML 6L-9 | УПОРНЫЙ ПРОФИЛЬ СТЕКЛА ДВЕРЦЫ ML 6L-9 |
| 12 | 95311000 | ASSIEME PORTA ML 4-6 | DOOR UNIT ML 4-6 | TÜRENSATZ ML 4-6 | ENSEMBLE PORTE ML 4-6 | CONJUNTO DE PUERTA ML 4-6 | МОДУЛЬ ДВЕРЦЫ ML 4-6 |
| 12 | 95311001 | ASSIEME PORTA ML 6L-9 | DOOR UNIT ML 6L-9 | TÜRENSATZ ML 6L-9 | ENSEMBLE PORTE ML 6L-9 | CONJUNTO DE PUERTA ML 6L-9 | МОДУЛЬ ДВЕРЦЫ ML 6L-9 |
| 13 | 95310330 | RACCOGLIFARINA ML 4-6 | CRUMB CATCHER ML 4-6 | MEHLAUFFANGLEISTE ML 4-6 | BAC DE RÉCUPÉRATION DE LA FARINE ML 4-6 | RECOGE-HARINA ML 4-6 | НАКОПИТЕЛЬ МУКИ ML 4-6 |
| 13 | 95310331 | RACCOGLIFARINA ML 6L-9 | CRUMB CATCHER ML 6L-9 | MEHLAUFFANGLEISTE ML 6L-9 | BAC DE RÉCUPÉRATION DE LA FARINE ML 6L-9 | RECOGE-HARINA ML 6L-9 | НАКОПИТЕЛЬ МУКИ ML 6L-9 |
| 14 | 95320050 | COLONNA DX ML 1 | RIGHT COLUMN ML 1 | SÄULE RECHTS ML 1 | COLONNE DROITE ML 1 | COLUMNNA DCHA. ML 1 | ПРАВ. КОЛОННА ML 1 |
| 14 | 95320055 | COLONNA DX ML 2 | RIGHT COLUMN ML 2 | SÄULE RECHTS ML 2 | COLONNE DROITE ML 2 | COLUMNNA DCHA. ML 2 | ПРАВ. КОЛОННА ML 2 |
| 15 | 95320040 | COLONNA SX ML 1 | LEFT COLUMN ML 1 | SÄULE LINKS ML 1 | COLONNE GAUCHE ML 1 | COLUMNNA IZDA. ML 1 | ЛЕВ.КОЛОННА ML 1 |
| 15 | 95320045 | COLONNA SX ML 2 | LEFT COLUMN ML 2 | SÄULE LINKS ML 2 | COLONNE GAUCHE ML 2 | COLUMNNA IZDA. ML 2 | ЛЕВ.КОЛОННА ML 2 |
| 16 | 95311050 | BANCO ML 4-6 | COUNTER ML 4-6 | BANK ML 4-6 | BANC ML 4-6 | BARRA ML 4-6 | СТОЛ ML 4-6 |
| 16 | 95311051 | BANCO ML 6L-9 | COUNTER ML 6L-9 | BANK ML 6L-9 | BANC ML 6L-9 | BARRA ML 6L-9 | СТОЛ ML 6L-9 |
| 17 | 95311020 | GUARNIZIONE PORTA ML 4-6 | DOOR GASKET ML 4-6 | TÜRDICHTUNG ML 4-6 | JOINT PORTE ML 4-6 | JUNTA PUERTA ML 4-6 | ПРОКЛАДКА ДВЕРЦЫ ML 4-6 |
| 17 | 95311021 | GUARNIZIONE PORTA ML 6L-9 | DOOR GASKET ML 6L-9 | TÜRDICHTUNG ML 6L-9 | JOINT PORTE ML 6L-9 | JUNTA PUERTA ML 6L-9 | ПРОКЛАДКА ДВЕРЦЫ ML 6L-9 |
| 18 | 95310320 | ARCO CAMERA ML 4-6 | OVEN CHAMBER ARCHED PROFILE ML 4-6 | HITZESCHUTZBOGEN BACKKAMMER ML 4-6 | PROFIL EN ARC POUR ENCEINTE ML 4-6 | ARCO CÁMARA ML 4-6 | ДУГА КАМЕРЫ ML 4-6 |
| 18 | 95310321 | ARCO CAMERA ML 6L-9 | OVEN CHAMBER ARCHED PROFILE ML 6L-9 | HITZESCHUTZBOGEN BACKKAMMER ML 6L-9 | PROFIL EN ARC POUR ENCEINTE ML 6L-9 | ARCO CÁMARA ML 6L-9 | ДУГА КАМЕРЫ ML 6L-9 |
| 19 | 95310140 | PANNELLO CILINDRO MOLLA ML | PANEL SPRING ML | PANEL FEDER ML | PANNEAU DE RESSORT ML | PANEL MUELLE ML | ПАНЕЛЬ ВЕСНА ML |
| 20 | 95310190 | FERMAVETRO SCATOLA LUCE ML | GLASS HOLDER LIGHT BOX ML | LICHT KASTEN ML | PERLE PLANCHE ML | GOTA DE LUZ CAJA ML | Шарик света BOX ML |
| 21 | 91610013 | VETRO BOROSILICATO 180x85x9 | BOROSILICATE GLASS 180x85x9 | BOROSILIKATGLAS 180x85x9 | VERRE BOROSILICATE 180x85x9 | CRISTAL BOROSILICATO 180x85x9 | БОРОСИЛИКАТНОЕ СТЕКЛО 180x85x9 |
| 22 | 95310180 | PANNELLO SX ML 4-6L 1 | LEFT PANEL ML 4-6L 1 | PANEEL LINKS ML 4-6L 1 | PANNEAU GAUCHE ML 4-6L 1 | PANEL IZDO. ML 4-6L 1 | ЛЕВ.ПАНЕЛЬ ML 4-6L 1 |

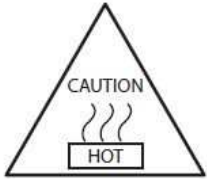
| Nr. | Codice Code Código | Descrizione | Description | Beschreibung | Description | Descripción | Описание |
|-----|--------------------|--------------------------------------|---------------------------------------|-----------------------------------|---------------------------------------|--------------------------------------|--|
| 22 | 95310181 | PANNELLO SX ML 6-9 1 | LEFT PANEL ML 6-9 1 | PANEEL LINKS ML 6-9 1 | PANNEAU GAUCHE ML 6-9 1 | PANEL IZDO. ML 6-9 1 | ЛЕВ.ПАНЕЛЬ ML 6-9 1 |
| 22 | 95310185 | PANNELLO SX ML 4-6L 2 | LEFT PANEL ML 4-6L 2 | PANEEL LINKS ML 4-6L 2 | PANNEAU GAUCHE ML 4-6L 2 | PANEL IZDO. ML 4-6L 2 | ЛЕВ.ПАНЕЛЬ ML 4-6L 2 |
| 22 | 95310186 | PANNELLO SX ML 6-9 2 | LEFT PANEL ML 6-9 2 | PANEEL LINKS ML 6-9 2 | PANNEAU GAUCHE ML 6-9 2 | PANEL IZDO. ML 6-9 2 | ЛЕВ.ПАНЕЛЬ ML 6-9 2 |
| 23 | 95310200 | PANNELLO BOTOLA LUCE ML 1 | LIGHT SOCKET PANEL ML 1 | PANEEL LICHTLUKE ML 1 | PANNEAU VOLET ÉCLAIRAGE ML 1 | PANEL TRAMPILLA LUZ ML 1 | ПАНЕЛЬ ПРОЕМА ML 1 |
| 23 | 95310205 | PANNELLO BOTOLA LUCE ML 2 | LIGHT SOCKET PANEL ML 2 | PANEEL LICHTLUKE ML 2 | PANNEAU VOLET ÉCLAIRAGE ML 2 | PANEL TRAMPILLA LUZ ML 2 | ПАНЕЛЬ ПРОЕМА ML 2 |
| 24 | 95311060 | STAFFA LAMPADA COMPLETO | LAMP BRACKET COMPLETE | LEUCHE BRACKET KOMPLETTE | LAMPE SUPPORT COMPLET | COMPLETE SOPORTE DE LA LÁMPARA | Лампы кронштейн ПОЛНАЯ |
| 25 | 91310182 | PORTALAMPADA G4 12V | LAMP HOLDER G4 12V | LAMPENHALTERUNG G4 12V | DOUILLE G4 12V | PORTALÁMPARA G4 12V | БОЛЬШОЙ ЛАМПОВЫЙ ПАТРОН G4 12V |
| 26 | 91310208 | LAMPADA ALOGENA GU5.3, 20W, 12V | HALOGEN LAMP GU5.3, 20W, 12V | HALOGENLAMPE GU5.3, 20W, 12V | LAMPE HALOGÈNE GU5.3, 20W, 12V | LÁMPARA HALÓGENA GU5.3, 20W, 12V | ГАЛОГЕННАЯ ЛАМПА GU5.3, 20ВТ, 12В |
| 27 | 91410143 | SUPPORTO UCP 202 | SUPPORT UCP 202 | SUPPORT UCP 202 | SOUTIEN UCP 202 | APOYO UCP 202 | ПОДДЕРЖКА UCP 202 |
| 28 | 95310110 | COPERCHIO ML 4 | TOP COVER ML 4 | ABDECKUNG ML 4 | COUVERCLE ML 4 | TAPA ML 4 | КРЫШКИ ML 4 |
| 28 | 95310111 | COPERCHIO ML 6 | TOP COVER ML 6 | ABDECKUNG ML 6 | COUVERCLE ML 6 | TAPA ML 6 | КРЫШКИ ML 6 |
| 28 | 95310112 | COPERCHIO ML 6L | TOP COVER ML 6L | ABDECKUNG ML 6L | COUVERCLE ML 6L | TAPA ML 6L | КРЫШКИ ML 6L |
| 28 | 95310113 | COPERCHIO ML 9 | TOP COVER ML 9 | ABDECKUNG ML 9 | COUVERCLE ML 9 | TAPA ML 9 | КРЫШКИ ML 9 |
| 29 | 91711350 | RESISTENZA SUPERIORE 435 230V 1080W | UPPER HEATING ELEMENT 435 230V 1080W | OBERE HEIZELEMENT 435 230V 1080W | RÉSISTANCE SUPERIEURE 435 230V 1080W | RESISTENCIA SUPERIOR 435 230V 1080W | ВЕРХНЕЕ СОПРОТИВЛЕНИЕ 435 230В 1080ВТ |
| 29 | 91711351 | RESISTENZA SUPERIORE 635 230V 1600W | UPPER HEATING ELEMENT 635 230V 1600W | OBERE HEIZELEMENT 635 230V 1600W | RÉSISTANCE SUPERIEURE 635 230V 1600W | RESISTENCIA SUPERIOR 635 230V 1600W | ВЕРХНЕЕ СОПРОТИВЛЕНИЕ 635 230В 1600ВТ |
| 29 | 91711352 | RESISTENZA SUPERIORE 635L 230V 1620W | UPPER HEATING ELEMENT 635L 230V 1620W | OBERE HEIZELEMENT 635L 230V 1620W | RÉSISTANCE SUPERIEURE 635L 230V 1620W | RESISTENCIA SUPERIOR 635L 230V 1620W | ВЕРХНЕЕ СОПРОТИВЛЕНИЕ 635L 230В 1620ВТ |
| 29 | 91711353 | RESISTENZA SUPERIORE 935 230V 2400W | UPPER HEATING ELEMENT 935 230V 2400W | OBERE HEIZELEMENT 935 230V 2400W | RÉSISTANCE SUPERIEURE 935 230V 2400W | RESISTENCIA SUPERIOR 935 230V 2400W | ВЕРХНЕЕ СОПРОТИВЛЕНИЕ 935 230В 2400ВТ |

| Nr. | Codice Code Código | Descrizione | Description | Beschreibung | Description | Descripción | Описание |
|-----|--------------------------|---|--|---------------------------------------|--|---|--|
| 30 | 91711340 | RESISTENZA INFERIORE 435 230V 680W | LOWER HEATING ELEMENT 435 230V 680W | UNTERE HEIZELEMENT 435 230V 680W | RÉSISTANCE INFERIEURE 435 230V 680W | RESISTENCIA INFERIOR 435 230V 680W | НИЖНЕЕ СОПРОТИВЛЕНИЕ 435 230В 680ВТ |
| 30 | 91711341 | RESISTENZA INFERIORE 635 230V 1000W | LOWER HEATING ELEMENT 635 230V 1000W | UNTERE HEIZELEMENT 635 230V 1000W | RÉSISTANCE INFERIEURE 635 230V 1000W | RESISTENCIA INFERIOR 635 230V 1000W | НИЖНЕЕ СОПРОТИВЛЕНИЕ 635 230В 1000ВТ |
| 30 | 91711342 | RESISTENZA INFERIORE 635L 230V 1020W | LOWER HEATING ELEMENT 635L 230V 1020W | UNTERE HEIZELEMENT 635L 230V 1020W | RÉSISTANCE INFERIEURE 635L 230V 1020W | RESISTENCIA INFERIOR 635L 230V 1020W | НИЖНЕЕ СОПРОТИВЛЕНИЕ 635L 230В 1020ВТ |
| 30 | 91711343 | RESISTENZA INFERIORE 935 230V 1500W | LOWER HEATING ELEMENT 935 230V 1500W | UNTERE HEIZELEMENT 935 230V 1500W | RÉSISTANCE INFERIEURE 935 230V 1500W | RESISTENCIA INFERIOR 935 230V 1500W | НИЖНЕЕ СОПРОТИВЛЕНИЕ 935 230В 1500ВТ |
| 31 | 95310120 | INTERCAPEDINE POSTERIORE ML 4-6 1 | BACK PARTITION ML 4-6 1 | BACKKAMMER HÜLLE ML 4-6 1 | PANNEAU DE DIVISION ARRIÈRE ML 4-6 1 | INTERSTICIO TRASERO ML 4-6 1 | ЗАДНИЙ ПРОСЛОЕК ML 4-6 1 |
| 31 | 95310121 | INTERCAPEDINE POSTERIORE ML 6L-9 1 | BACK PARTITION ML 6L-9 1 | BACKKAMMER HÜLLE ML 6L-9 1 | PANNEAU DE DIVISION ARRIÈRE ML 6L-9 1 | INTERSTICIO TRASERO ML 6L- 9 1 | ЗАДНИЙ ПРОСЛОЕК ML 6L-9 1 |
| 31 | 95310125 | INTERCAPEDINE POSTERIORE ML 4-6 2 | BACK PARTITION ML 4-6 2 | BACKKAMMER HÜLLE ML 4-6 2 | PANNEAU DE DIVISION ARRIÈRE ML 4-6 2 | INTERSTICIO TRASERO ML 4-6 2 | ЗАДНИЙ ПРОСЛОЕК ML 4-6 2 |
| 31 | 95310126 | INTERCAPEDINE POSTERIORE ML 6L-9 2 | BACK PARTITION ML 6L-9 2 | BACKKAMMER HÜLLE ML 6L-9 2 | PANNEAU DE DIVISION ARRIÈRE ML 6L-9 2 | INTERSTICIO TRASERO ML 6L- 9 2 | ЗАДНИЙ ПРОСЛОЕК ML 6L-9 2 |
| 32 | 95310210 | PANNELLO DX 4-6L 1 | RIGHT PANEL 4-6L 1 | PANEEL RECHTS 4-6L 1 | PANNEAU DROIT 4-6L 1 | PANEL DCHO. 4-6L 1 | ПРАВ.ПАНЕЛЬ 4-6L 1 |
| 32 | 95310211 | PANNELLO DX 6-9 1 | RIGHT PANEL 6-9 1 | PANEEL RECHTS 6-9 1 | PANNEAU DROIT 6-9 1 | PANEL DCHO. 6-9 1 | ПРАВ.ПАНЕЛЬ 6-9 1 |
| 32 | 95310215 | PANNELLO DX 4-6L 2 | RIGHT PANEL 4-6L 2 | PANEEL RECHTS 4-6L 2 | PANNEAU DROIT 4-6L 2 | PANEL DCHO. 4-6L 2 | ПРАВ.ПАНЕЛЬ 4-6L 2 |
| 32 | 95310216 | PANNELLO DX 6-9 2 | RIGHT PANEL 6-9 2 | PANEEL RECHTS 6-9 2 | PANNEAU DROIT 6-9 2 | PANEL DCHO. 6-9 2 | ПРАВ.ПАНЕЛЬ 6-9 2 |
| 33 | 95310290 | SCHIENA 4-6 1 | REAR PANEL 4-6 1 | RÜCKWAND 4-6 1 | FOND 4-6 1 | TRASERA 4-6 1 | ЗАДНЯЯ ПАНЕЛЬ 4-6 1 |
| 33 | 95310291 | SCHIENA 6L-9 1 | REAR PANEL 6L-9 1 | RÜCKWAND 6L-9 1 | FOND 6L-9 1 | TRASERA 6L-9 1 | ЗАДНЯЯ ПАНЕЛЬ 6L-9 1 |
| 33 | 95310295 | SCHIENA 4-6 2 | REAR PANEL 4-6 2 | RÜCKWAND 4-6 2 | FOND 4-6 2 | TRASERA 4-6 2 | ЗАДНЯЯ ПАНЕЛЬ 4-6 2 |
| 33 | 95310296 | SCHIENA 6L-9 2 | REAR PANEL 6L-9 2 | RÜCKWAND 6L-9 2 | FOND 6L-9 2 | TRASERA 6L-9 2 | ЗАДНЯЯ ПАНЕЛЬ 6L-9 2 |
| 34 | 91410030 | SFERA CAMINO | VENT DISC | KUGEL DAMPFABLASS | SPHÈRE CHEMINÉE | ESFERA CHIMENEA | ШАРИК ДЫМОВОЙ ТРУБЫ |
| 35 | 95310070 | SCORREVOLE CAMINO ML 4-6 | SLIDING FLUE ML 4-6 | GLEITELEMENT DAMPFABLASS ML 4-6 | ÉLÉMENT DE COULISSEMENT CHEMINÉE ML 4-6 | CORREDERA CHIMENEA ML 4- 6 | НАПРАВЛЯЮЩАЯ ДЫМОВОЙ ТРУБЫ ML 4-6 |

| Nr. | Codice Code Código | Descrizione | Description | Beschreibung | Description | Descripción | Описание |
|-----|--------------------------|------------------------------|-------------------------------------|--|---|--------------------------------------|------------------------------------|
| 35 | 95310071 | SCORREVOLE CAMINO ML 6L-9 | SLIDING FLUE ML 6L-9 | GLEITELEMENT DAMPFABLASS ML 6L-9 | ÉLÉMENT DE COULISSEMENT CHEMINÉE ML 6L-9 | CORREDERA CHIMENEA ML 6L-9 | НАПРАВЛЯЮЩАЯ ДЫМОВОЙ ТРУБЫ ML 6L-9 |
| 36 | 95310240 | SCATOLA COMANDI ML 4-6L 1 | CONTROL UNIT ML 4-6L 1 | SCHALTKASTEN ML 4-6L 1 | BOÎTIER COMMANDES ML 4-6L 1 | CAJA DE CONTROL ML 4-6L 1 | КОРОБКА УПРАВЛЕНИЯ ML 4-6L 1 |
| 36 | 95310241 | SCATOLA COMANDI ML 6-9 1 | CONTROL UNIT ML 6-9 1 | SCHALTKASTEN ML 6-9 1 | BOÎTIER COMMANDES ML 6-9 1 | CAJA DE CONTROL ML 6-9 1 | КОРОБКА УПРАВЛЕНИЯ ML 6-9 1 |
| 36 | 95310245 | SCATOLA COMANDI ML 4-6L 2 | CONTROL UNIT ML 4-6L 2 | SCHALTKASTEN ML 4-6L 2 | BOÎTIER COMMANDES ML 4-6L 2 | CAJA DE CONTROL ML 4-6L 2 | КОРОБКА УПРАВЛЕНИЯ ML 4-6L 2 |
| 36 | 95310246 | SCATOLA COMANDI ML 6-9 2 | CONTROL UNIT ML 6-9 2 | SCHALTKASTEN ML 6-9 2 | BOÎTIER COMMANDES ML 6-9 2 | CAJA DE CONTROL ML 6-9 2 | КОРОБКА УПРАВЛЕНИЯ ML 6-9 2 |
| 37 | 91510224 | PRESSACAVO PG 29 | CABLE CLAMP PG 29 | ZUGENTLASTUNG PG 29 | SERRE-CÂBLE PG 29 | SUJETACABLE PG 29 | КАБЕЛЬНЫЙ ЗАЖИМ PG 29 |
| 38 | 91310320 | VENTOLA DI RAFFREDDAMENTO | COOLING FAN | KÜHLGEBLÄSE | VENTILATEUR DE REFROIDISSEMENT | VENTILADOR DE ENFRIAMIENTO | ВЕНТИЛЯТОР |
| 39 | 92012200 | FLANGIA PVC PERNO CAMINO | FLUE PIVOT PVC FLANGE | FLANSCH AUS PVC FÜR STIFT DAMPFABLASS | BRIDE PVC GOUJON CHEMINÉE | BRIDA PVC PERNO CHIMENEA | ФЛАНЕЦ ПВХ ШТЫРЯ ДЫМОВОЙ ТРУБЫ |
| 40 | 95310340 | SOSTEGNO MOTORE CAMINO | FLUE MOTOR SUPPORT | MOTOR DAMPFABLASS SUPPORT | SUPPORT MOTEUR CHEMINÉE | APOYO MOTOR CHIMENEA | ПОДДЕРЖКА ДВИГАТЕЛЬ ДЫМОВОЙ ТРУБЫ |
| 41 | 91310530 | MOTORE CAMINO | FLUE MOTOR | MOTOR DAMPFABLASS | MOTEUR CHEMINÉE | MOTOR CHIMENEA | ДВИГАТЕЛЬ ДЫМОВОЙ ТРУБЫ |
| 42 | 92012190 | FLANGIA MOTORE CAMINO | FLUE MOTOR FLANGE | FLANSCH MOTOR DAMPFABLASS | BRIDE MOTEUR CHEMINÉE | BRIDA MOTOR CHIMENEA | ФЛАНЕЦ ДВИГАТЕЛЯ ДЫМОВОЙ ТРУБЫ |
| 43 | 91410040 | SNODO CAMINO | FLUE THROUGH-JOINT | GELENK DAMPFABLASS | ARTICULATION CHEMINÉE | ARTICULACIÓN CHIMENEA | ШАРНИР ДЫМОВОЙ ТРУБЫ |
| 44 | 91310235 | MORSETTIERA G5/12 | G5/12 TERMINAL BOARD | KLEMMENBRETT G5/12 | BORNIER G5/12 | REGLETA DE BORNES G5/12 | КЛЕММНАЯ КОЛОДКА G5/12 |
| 45 | 91310231 | MORSETTIERA G10/5 TRIFASE | THREE-PHASE G10/5 TERMINAL BOARD | KLEMMENBRETT G10/5 DREIPHASIG | BORNIER G10/5 TRIPHASÉ | REGLETA DE BORNES G10/5 TRIFÁSICA | ТРЕХФАЗНАЯ КЛЕММНАЯ КОЛОДКА G10/5 |
| 46 | 91310136 | CONTATTORE BF9.10.230 | CONTACTOR BF9.10.230 | SCHÜTZ BF9.10.230 | CONTACTEUR BF9.10.230 | CONTACTOR BF9.10.230 | КОНТАКТОР BF9.10.230 |
| 47 | 91310097 | INTERRUTTORE TERMICO NC 50° | THERMAL SWITCH NC 50° | TEMPERATURSCHALTER NC 50° | INTERRUPTEUR THERMIQUE NC 50° | INTERRUPTOR TÉRMICO NC 50° | ТЕПЛОВЫКЛЮЧАТЕЛЬ NC 50° |
| 48 | 91310511 | PORTAFUSIBILE | FUSE BOX | SICHERUNGSHALTERUNG | PORTE-FUSIBLE | PORTAFUSIBLE | ПЛАВКАЯ ВСТАВКА ПРЕДОХРАНИТЕЛЯ |

| Nr. | Codice Code Código | Descrizione | Description | Beschreibung | Description | Descripción | Описание |
|-----|--------------------------|---|---------------------------------------|---|--|---|---|
| 49 | 91310504 | FUSIBILE 5A | FUSE 5A | SICHERUNG 5A | FUSIBLE 5A | FUSIBLE 5A | ПЛАВКИЙ ПРЕДОХРАНИТЕЛЬ 5А |
| 50 | 95310300 | FIANCO DX 4-6L 1 | RIGHT SIDE 4-6L 1 | SEITENPANEEL RECHTS KAROSSERIE 4-6L 1 | FLANC DROIT 4-6L 1 | FLANCO DCHO. 4-6L 1 | ПРАВЯЯ БОКОВИНА 4-6L 1 |
| 50 | 95310301 | FIANCO DX 6-9 1 | RIGHT SIDE 6-9 1 | SEITENPANEEL RECHTS KAROSSERIE 6-9 1 | FLANC DROIT 6-9 1 | FLANCO DCHO. 6-9 1 | ПРАВЯЯ БОКОВИНА 6-9 1 |
| 50 | 95310305 | FIANCO DX 4-6L 2 | RIGHT SIDE 4-6L 2 | SEITENPANEEL RECHTS KAROSSERIE 4-6L 2 | FLANC DROIT 4-6L 2 | FLANCO DCHO. 4-6L 2 | ПРАВЯЯ БОКОВИНА 4-6L 2 |
| 50 | 95310306 | FIANCO DX 6-9 2 | RIGHT SIDE 6-9 2 | SEITENPANEEL RECHTS KAROSSERIE 6-9 2 | FLANC DROIT 6-9 2 | FLANCO DCHO. 6-9 2 | ПРАВЯЯ БОКОВИНА 6-9 2 |
| 51 | 91310212 | SONDA TCJ PER FORNI L.=500mm | TCJ PROBE FOR OVENS L.=1,500 mm | SONDE TCJ FÜR ÖFEN L.=500mm | SONDE TCJ POUR FOURS L.=500mm | SONDA TCJ PARA HORNOS L.=500mm | ДАТЧИК ТСЖ ДЛЯ ПЕЧЕЙ L.=500мм |
| 52 | 91310305 | SCHEDA DI POTENZA 23A | POWER BOARD 23 A | LEITERPLATTE 23A | CARTE DE PUISSANCE 23A | TARJETA DE POTENCIA 23A | СИЛОВАЯ ПЛАТА 23А |
| 53 | 91310050 | TERMOSTATO SICUREZZA MONOFASE | SINGLE-PHASE SAFETY THERMOSTAT | EINPHASIGER SICHERHEITSTHERMOSTAT | THERMOSTAT DE SÉCURITÉ MONOPHASÉ | TERMOSTATO DE SEGURIDAD MONOFÁSICO | ОДНОФАЗНЫЙ ЗАЩИТНЫЙ ТЕРМОСТАТ |
| 54 | 91310254 | SCHEDA DI CONTROLLO 1T- TIMER | CONTROL BOARD 1T-TIMER | KONTROLLKARTE 1T-TIMER | CARTE DE CONTRÔLE 1T- TIMER | TARJETA DE CONTROL 1T- TIMER | КОНТРОЛЬНАЯ ПЛАТА 1T- TIMER |
| 55 | 95310280 | CRUSCOTTO ML 1 DG | KEY PANEL ML 1 DG | INSTRUMENTENTAFEL ML 1 DG | BANDEAU ML 1 DG | PANEL DE MANDOS ML 1 DG | ПУЛЬТ УПРАВЛЕНИЯ ML 1 DG |
| 55 | 95310285 | CRUSCOTTO ML 2 DG | KEY PANEL ML 2 DG | INSTRUMENTENTAFEL ML 2 DG | BANDEAU ML 2 DG | PANEL DE MANDOS ML 2 DG | ПУЛЬТ УПРАВЛЕНИЯ ML 2 DG |
| 57 | 91310051 | TERMOSTATO DI SICUREZZA | SAFETY THERMOSTAT | SICHERHEITSTHERMOSTAT | THERMOSTAT DE SÉCURITÉ | TERMOSTATO DE SEGURIDAD | ЗАЩИТНЫЙ ТЕРМОСТАТ |
| 58 | 91310258 | SCHEDA DI CONTROLLO MIN- MAX | CONTROL BOARD MIN-MAX | KONTROLLKARTE MIN-MAX | CARTE DE CONTRÔLE MIN- MAX | TARJETA DE CONTROL MIN- MAX | КОНТРОЛЬНАЯ ПЛАТА MIN- MAX |
| 59 | 91310259 | CD - SCHEDA CONTROLLO CAMINO MIN-MAX | CD - CHIMNEY CONTROL PANEL MIN-MAX | CD - SCHORNSTEIN KOHNTROLL PLATINE MIN- MAX | CD - CARTE DE CONTRÔLE CHEMINÉE MIN-MAX | CD - TARJETA DE CONTROL CHIMENEA MIN-MAX | CD - КОНТРОЛЬНАЯ ПЛАТА КАМИН MIN-MAX |
| 60 | 95310270 | CRUSCOTTO ML 1 CD | KEY PANEL ML 1 CD | INSTRUMENTENTAFEL ML 1 CD | BANDEAU ML 1 CD | PANEL DE MANDOS ML 1 CD | ПУЛЬТ УПРАВЛЕНИЯ ML 1 CD |
| 60 | 95310275 | CRUSCOTTO ML 2 CD | KEY PANEL ML 2 CD | INSTRUMENTENTAFEL ML 2 CD | BANDEAU ML 2 CD | PANEL DE MANDOS ML 2 CD | ПУЛЬТ УПРАВЛЕНИЯ ML 2 CD |

| Nr. | Codice Code Código | Descrizione | Description | Beschreibung | Description | Descripción | Описание |
|-----|--------------------------|--|---|--|---|--|--|
| 62 | 91310356 | TRASFORMATORE 230Vac/12Vac, 50VA, 50 - 60Hz CE | 230Vac/12Vac, 50VA, 50 - 60Hz EC TRANSFORMER | TRANSFORMATOR 230VAC/12VAC, 50VA, 50 - 60Hz CE | TRANSFORMATEUR 230Vac/12Vac, 50VA, 50 - 60Hz CE | TRANSFORMADOR 230Vac/12Vac, 50VA, 50 - 60Hz CE | ТРАНСФОРМАТОР 230В пер.тока/12В пер.тока, 50ВА, 50 - 60Гц CE |
| 63 | 91610140 | MATTONE ML 4-6L 358X716 | SLAB ML 4-6L 358X716 | STEIN ML 4-6L 358X716 | BRIQUE ML 4-6L 358X716 | LADRILLO ML 4-6L 358X716 | КИРПИЧ ML 4-6L 358X716 |
| 63 | 91610141 | MATTONE ML 6-9 358X1074 | SLAB ML 6-9 358X1074 | STEIN ML 6-9 358X1074 | BRIQUE ML 6-9 358X1074 | LADRILLO ML 6-9 358X1074 | КИРПИЧ ML 6-9 358X1074 |
| 64 | 95310310 | PROFILO FERMAPIETRE - ML 4-6 | GLAZING BEAD PROFILE - ML 4-6 | STEINHALTEPROFIL - ML 4-6 | PROFIL DE BLOCAGE DES PIERRES - ML 4-6 | PERFIL SUJECIÓN PIEDRAS - ML 4-6 | УДЕРЖИВАЮЩИЙ ПРОФИЛЬ КАМНЕЙ - ML 4-6 |
| 64 | 95310311 | PROFILO FERMAPIETRE - ML 6L-9 | GLAZING BEAD PROFILE - ML 6L-9 | STEINHALTEPROFIL - ML 6L-9 | PROFIL DE BLOCAGE DES PIERRES - ML 6L-9 | PERFIL SUJECIÓN PIEDRAS - ML 6L-9 | УДЕРЖИВАЮЩИЙ ПРОФИЛЬ КАМНЕЙ - ML 6L-9 |

**ATTENZIONE:**

Rischio di superficie ustionante

WARNING:

Risk of blistering surface

WARNUNG:

Gefahr von Blasenbildung

Oberfläche

ATTENTION:

Risque de brûlures

ATENCIÓN:

Riesgo de quemaduras

ВНИМАНИЕ:

Риск поверхности пузырей

**ATTENZIONE:**

Rischio di fulminazione

WARNING:

Risk of Electric Shock

WARNUNG:

Stromschlaggefahr

ATTENTION:

Risque d'électrocution

ATENCIÓN:

Riesgo de electrocución

ВНИМАНИЕ:

Риск поражения

электрическим током



Equipotenziale

Equipotential

Equipotentialline

Équipotentielle

Equipotencial

Эквипотенциальный

ATTENZIONE

Prima di utilizzare l'apparecchiatura leggere attentamente il manuale

ATTENTION

Before using the appliance, carefully read the enclosed booklet.

ACHTUNG

Vor inbetriebnahme des Gerätes, die beiliegende Betriebsanleitung aufmerksam lesen.

ATTENTION

Avant d'utiliser l'appareil, lire attentivement le mode d'emploi ci-joint.

CUIDADO

Antes de utilizar la máquina, leer atentamente el manual adjunto.

ВНИМАНИЕ

Перед использованием прибора внимательно прочитайте прилагаемую брошюру.

