

06/2015

Mod: EF41-N

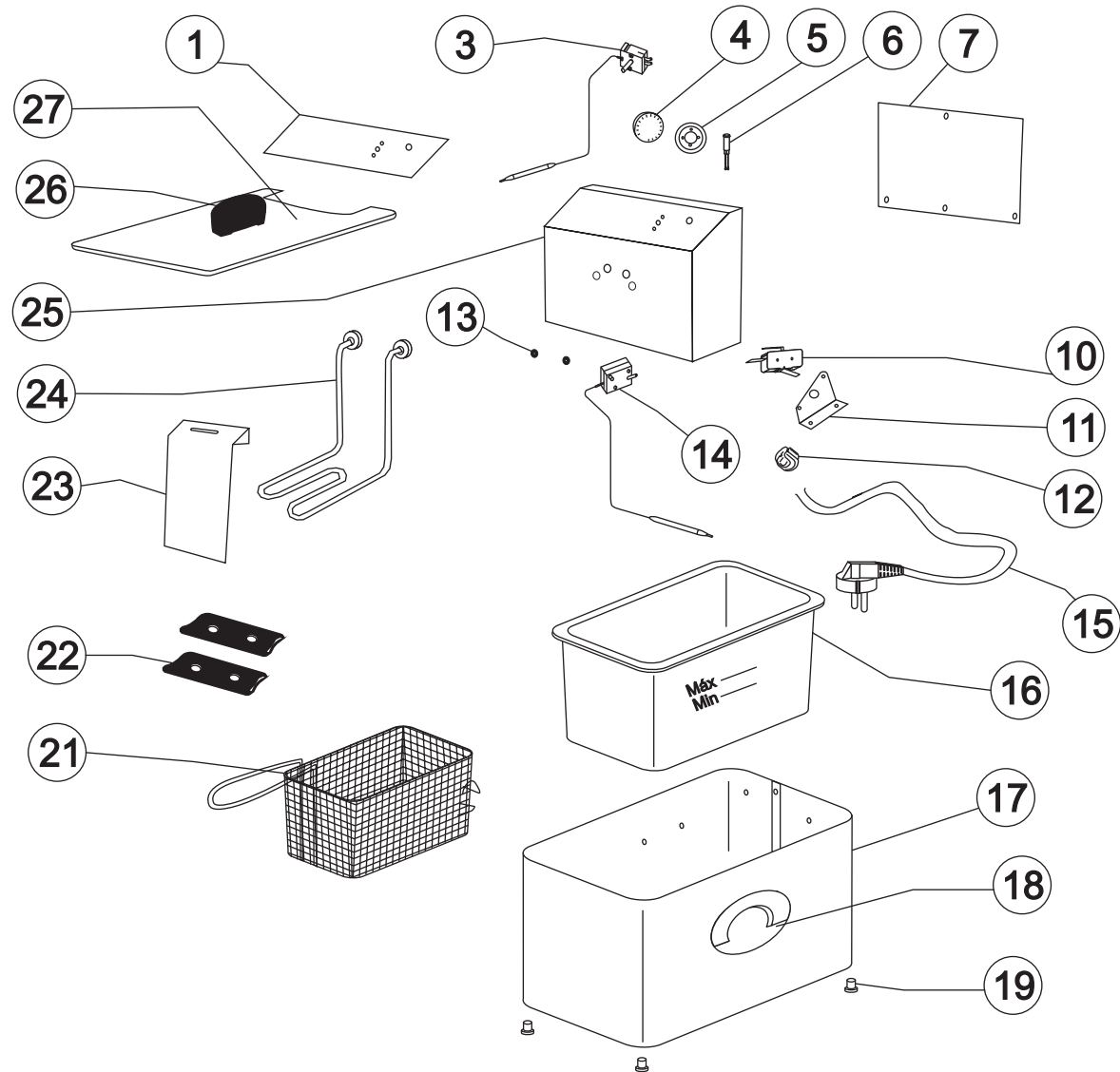
Production code: F17NV 4L



Diamond
catering equipment

Fryers

Mod.: EF41-N



Part List Fryer Mod. EF41-N

Item #	code	Designation	Qty
1	08AP101	Control label 4L Diamond	1
2			
3	07TR000	Regulating thermostat w/ sensor 16A	1
4	06BT004	Thermostat knob Mod.5	1
5	109ES000	Knob accessorie	1
6	07SL000	Pilot light Green 230V	1
7	109TPFI704	Panel back cover FI704	1
8			
9			
10	07IS001	Safety switch	1
11	109SPMS2	Safety switch support	1
12	06CC001	Strain relief 1,5mm ²	1
13	06CC004	Sensor wire ruber gland	2
14	07TS003	Safety thermostat w/ sensor 16A	1
15	07CA007	Power cord 3x1,5mm ²	1
16	09CU000	Oil container 4L	1
17	119BL4LNV	Body 4L NV	1
18	06PG003	Body handle	2
19	06TA002	Rubber feet w/ screw	4
20			
21	09CST4LNIQ	Basket 4L	1
22	06PG002	Basket handle	1
23	109HC48L	Heating element cover 4/8L	1
24	07RE021	Heating element 3000W/230V	1
25	119PNFI704	Control panel FI704L	1
26	06PG004	Lid handle	1
27	109TE4L	Lid 4L	1
28	107CE704	Cabling 3000W-230V	1