

11/2016

Mod: EDI/BM4

Production code: 65/40 BME-D

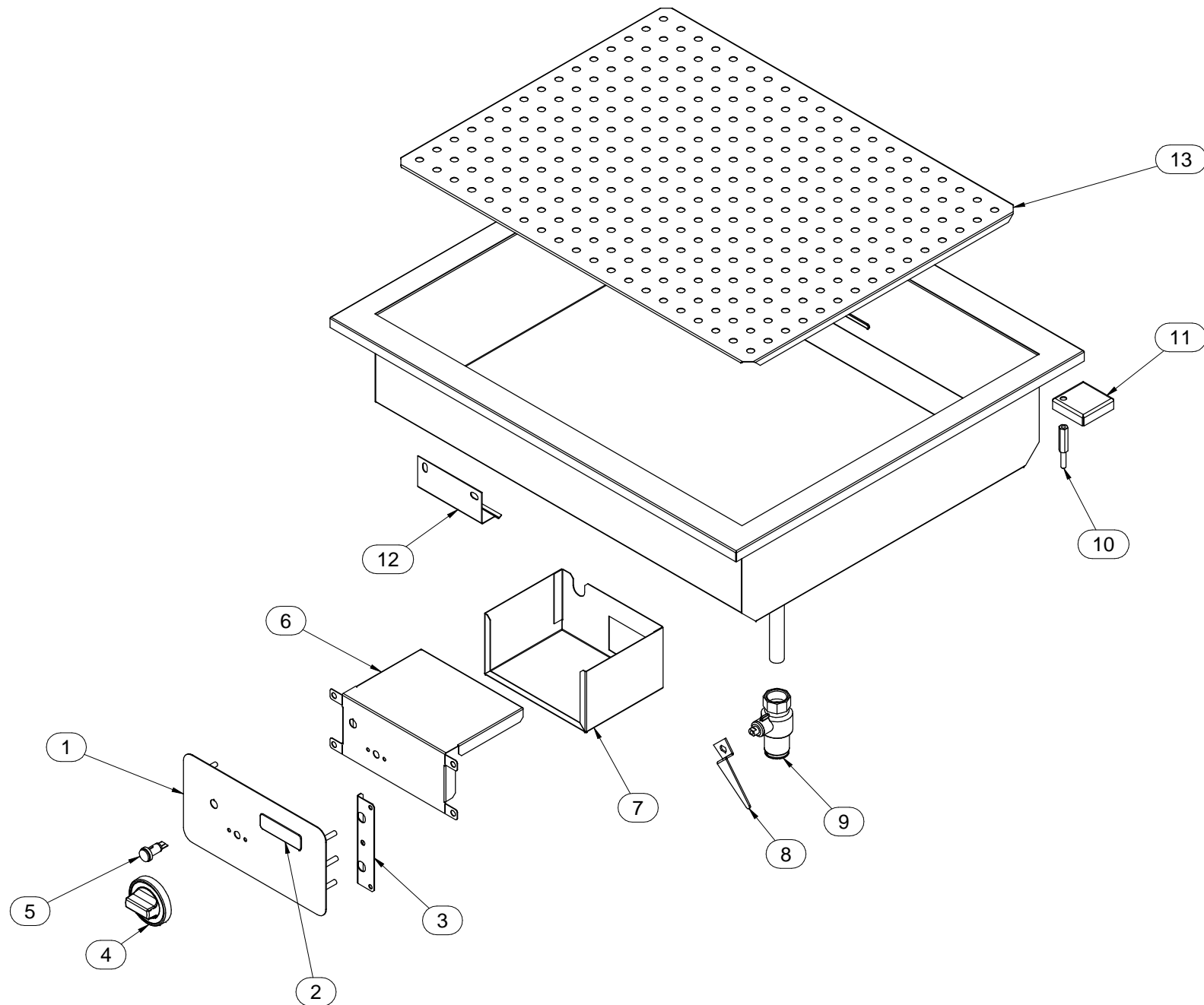


Diamond
catering equipment

Mod./Type: **_65/... BME...-D**

cod./num. 2532348.00

data/date: 02/11/2016



Mod./Type: **_65/... BME...-D**

cod./num. 2532350.00

data/date: 04/11/2016

