



MOD : E65/4VC7T-230V/3-N

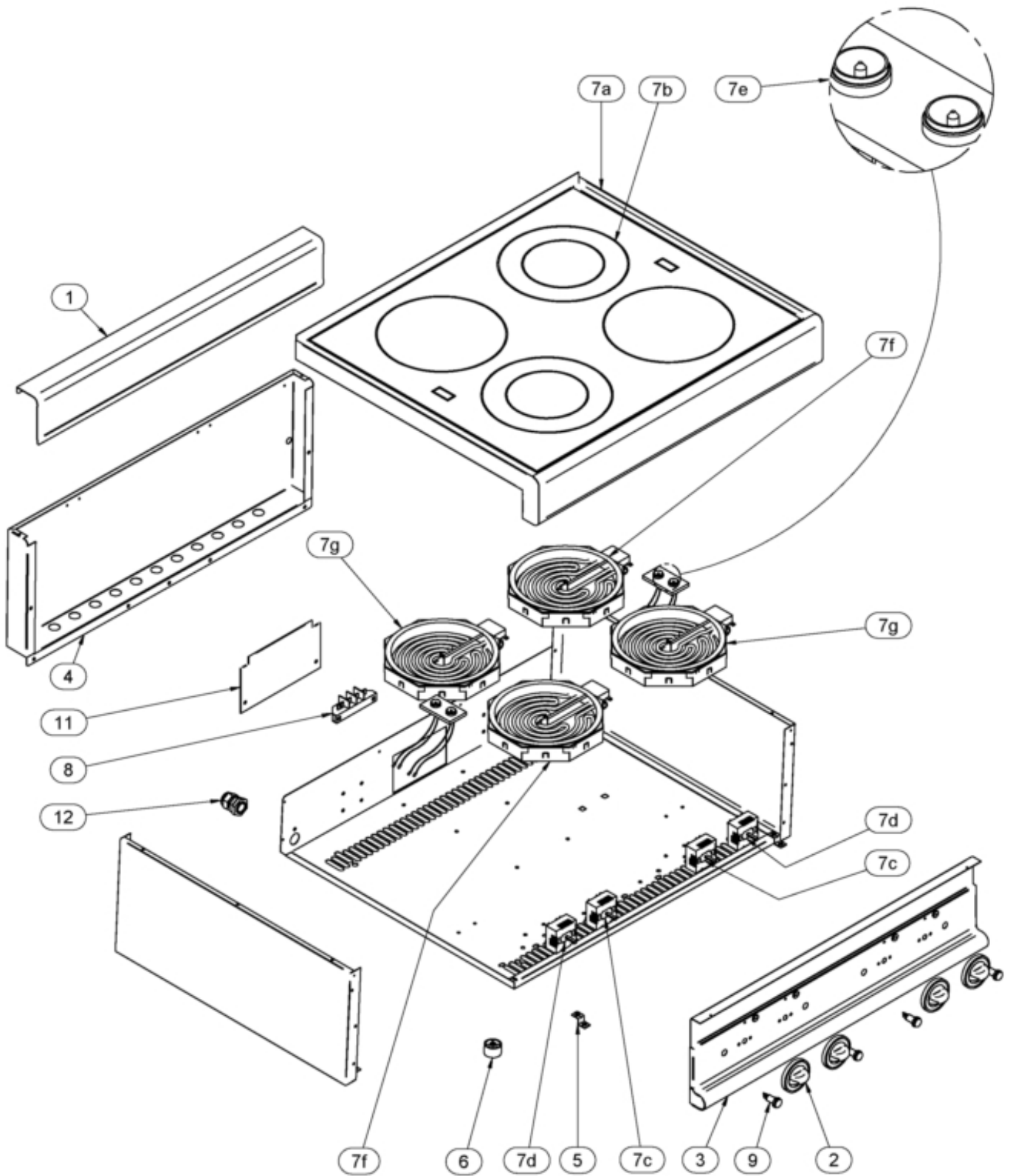
Production code : F65/70PVE/T(230V/3)

04/2024

Modello/Type: **65/70 PVE**

cod./num. 2531515.00

data/date: 29/07/2013



Pos.	Réf.	Description	De	À
0001	611.006.00	SPLASH-BACK 70		
0002	612.087.00	ASS. KNOB D62 GREY		
0003	256.161.00	KIT CRUSCOTTO 65/70 PCE/PVE +INDICI		
0004	621.028.00	REAR PANEL 70		
0005	256.002.00	KIT STAFFA FISS.CRUSCOTTO + VITI		
0006	651.001.13	FOOT DIAM.30 X 20H NEW		
0008	663.036.00	TERMINAL PLATE		
0009	663.043.00	GREEN PILOT LIGHT		
0011	623.006.00	COVER FOR TERMINAL BOARD		
0012	256.114.00	KIT PRESSACAVO PG16 + GHIERA		
007a	256.167.00	KIT ASSIEME PIANO PVE 65/70 + VETRO		
007b	655.001.00	VETROCERAMICO 600X560X6		
007c	661.102.00	ENERGY REGULATOR D.C.50.55021.100		
007d	661.058.00	ENERGY REGULATOR 230V 501702100		
007e	663.038.00	GRUPPO 2 LAMPADE X PVE 60/30		
007f	665.052.00	HEATING ELEMENT 2500W 230V		
007g	665.054.00	HEATING ELEMENT 2100W 230V		