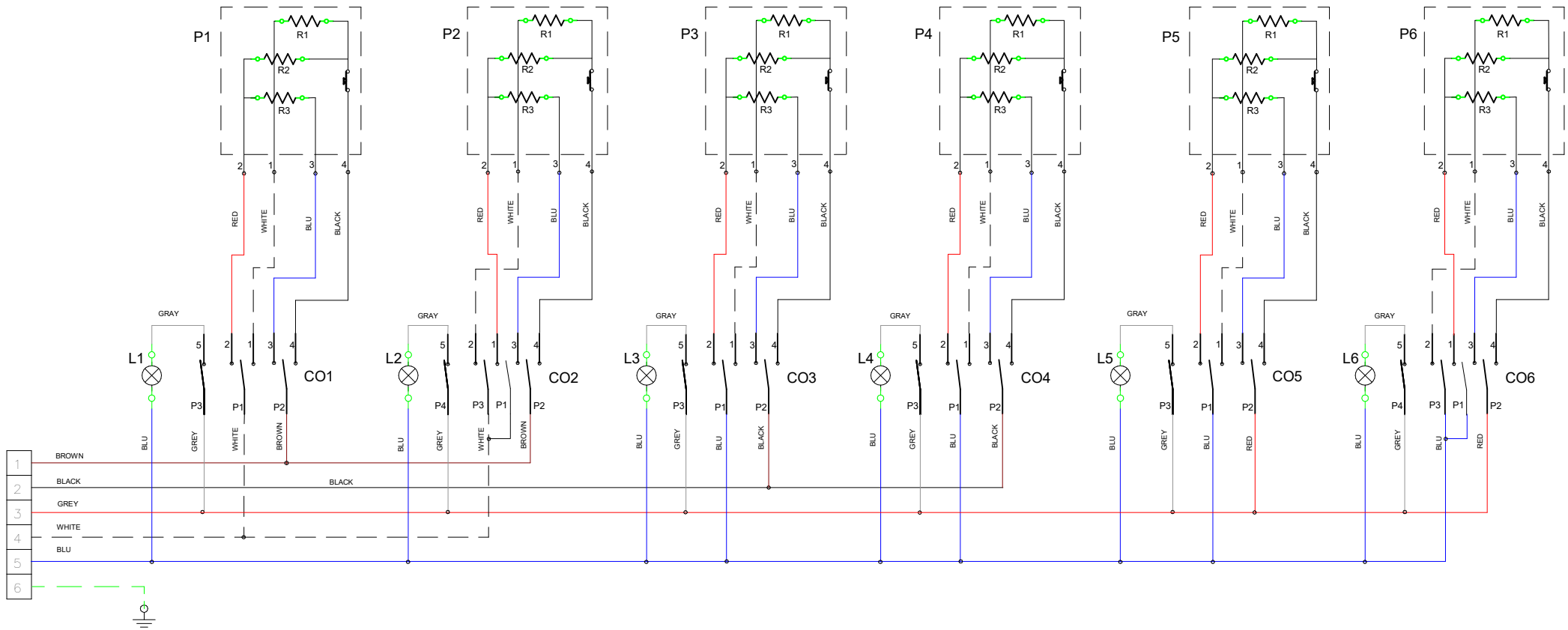




**MOD : E9/6PQA12-N**

**Production code : DIPQ912A**

**09/2023**



CO1 - CO2 - CO3 - CO4

	ITALIANO	FRANCAIS	ENGLISH	DEUTSCH
M	MORSETTIERA	PENNEAU DE CONTROLE	TERMINAL BLOCK	KLEMMENLEISTE
CO1-CO6	COMMUTATORE	COMMUTEUR	SWITCH	HAUPTSCHALTER
P1-P4	PIASTRA ELETTRICA	PLAQUE ELECTRIQUE	ELECTRIC HOB	KOCHPLATTE
L1-L6	LAMPADA VERDE	LAMPE VERTE	GREEN LAMP	GRUENE LAMPE

The diagram shows the power ratings for the control units CO1-CO6. It includes a small schematic of the units and a table of power ratings for two different configurations (Piastra 1-3-4-5 and Piastra 2-6). The power ratings are as follows:

POS.	0	6	5	4	3	2	1
Piastra 1-3-4-5	0	3000W	2250W	1500W	750W	500W	300W
Piastra 2-6	0	4000W	2500W	1500W	1000W	600W	430W