

**MOD : E22/GPLP2-HP-230/3-**

**Production code : 393361**



## Modular Cooking Range Line ECO 90 Electric Grill Top HP 800mm

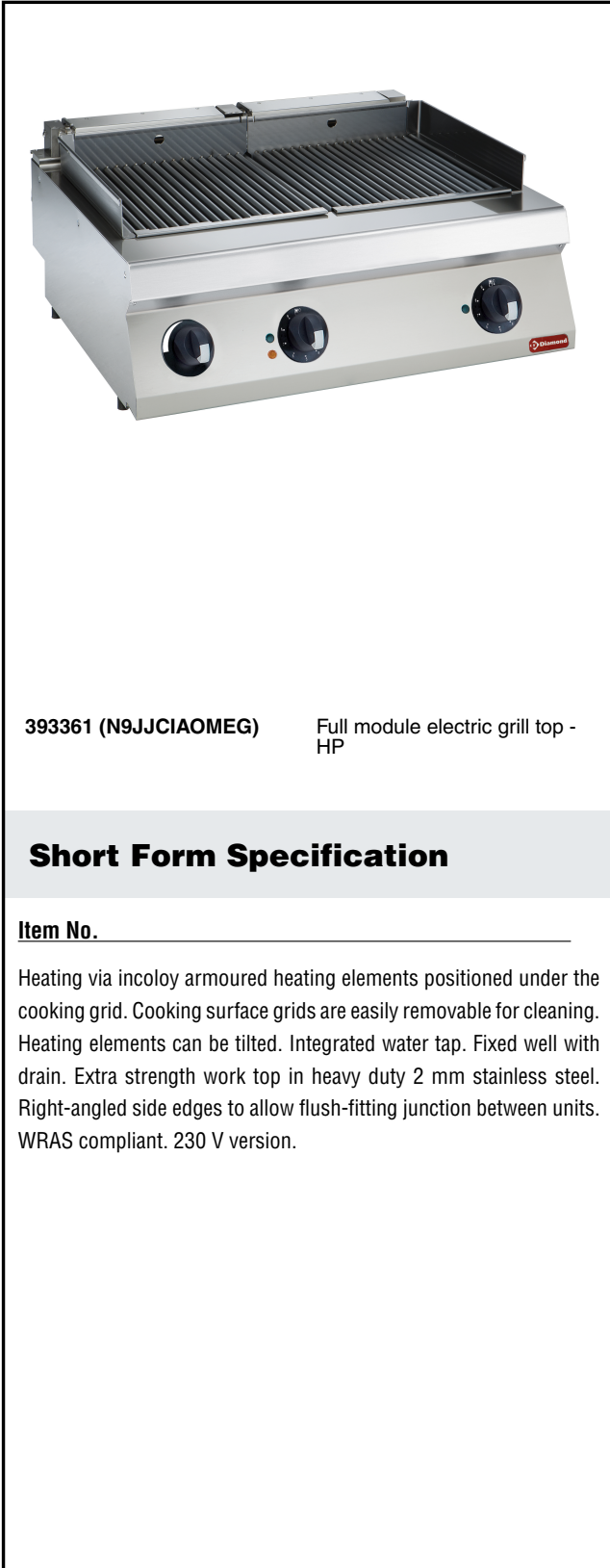
ITEM # \_\_\_\_\_

MODEL # \_\_\_\_\_

NAME # \_\_\_\_\_

SIS # \_\_\_\_\_

AIA # \_\_\_\_\_



393361 (N9JJCIAOMEG) Full module electric grill top - HP

### Short Form Specification

Item No. \_\_\_\_\_

Heating via incoloy armoured heating elements positioned under the cooking grid. Cooking surface grids are easily removable for cleaning. Heating elements can be tilted. Integrated water tap. Fixed well with drain. Extra strength work top in heavy duty 2 mm stainless steel. Right-angled side edges to allow flush-fitting junction between units. WRAS compliant. 230 V version.

### Main Features

- Led warning indicator to give an alarm when well is empty.
- Incoloy armoured heating elements positioned under the cooking grid.
- Each bank of elements has an independent power regulation through a control knob.
- Removable 2mm thick steel U-shaped grids for fast heating of cooking surface.
- Fixed well with drain to collect residual cooking juices and grease.
- Large drain protected by overflow and filter.
- Water must be added to well before operation.
- Water filling tap with knob control.
- Removable stainless steel deflectors to recuperate heat and reduce cooking time.
- Stainless steel splash guards on sides of cooking surface. Splash guards can be easily removed for cleaning.
- Top configuration allows installation on ambient base or refrigerated/freezer base.
- Suitable for countertop installation.

### Construction

- Unit is 900mm deep to give a larger working surface area.

### Included Accessories

- 1 of SCRAPER FOR HP ELECTRIC GRILL PNC 206436

### Optional Accessories

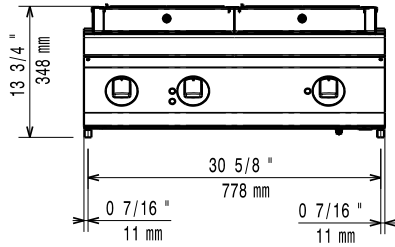
- JUNCTION SEALING KIT PNC 206086
- SUPPORT FOR "BRIDGE" SYSTEM 800 MM PNC 206137
- SUPPORT FOR "BRIDGE" SYSTEM 1000 MM PNC 206138
- SUPPORT FOR "BRIDGE" SYSTEM 1200 MM PNC 206139
- SUPPORT FOR "BRIDGE" SYSTEM 1400 MM PNC 206140
- SUPPORT FOR "BRIDGE" SYSTEM 1600 MM PNC 206141
- SIDE HANDRAIL-RIGHT/LEFT HAND-900 LINE PNC 206165
- FRONTAL HANDRAIL 800 MM PNC 206167
- LARGE HANDRAIL(PORTIONING SHELF)800 MM PNC 206186
- FRONTAL HANDRAIL 1200 MM PNC 206191
- FRONTAL HANDRAIL 1600 MM PNC 206192
- 2 SIDE COVERING PANELS H=250-D=900-Z/OEM PNC 206321
- SCRAPER FOR HP ELECTRIC GRILL PNC 206436
- DRAIN EXTENTION FOR HP ELECTRIC GRILL PNC 206437

APPROVAL: \_\_\_\_\_

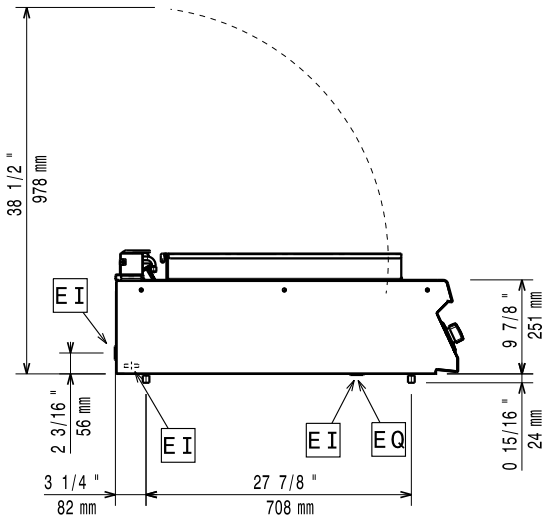


# Modular Cooking Range Line ECO 90 Electric Grill Top HP 800mm

**Front**

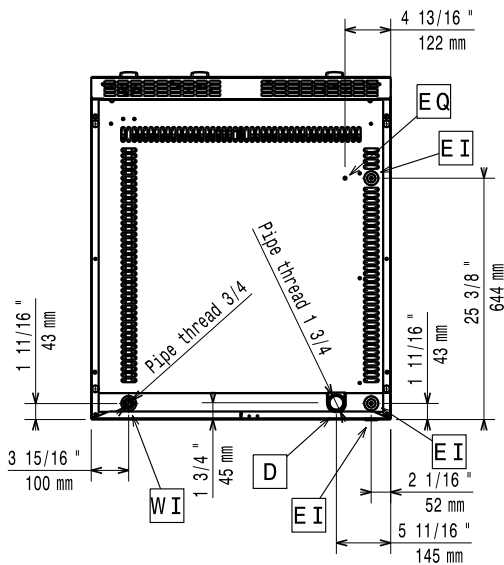


**Side**



- D** = Drain
- EI** = Electrical inlet (power)
- EQ** = Equipotential screw
- WI** = Water inlet

**Top**



## Electric

Supply voltage:  
393361 (N9JJCIAOMEG) 230 V/3N ph/50/60 Hz  
Electrical power max.: 11.6 kW  
Predisposed for:

## Key Information:

Cooking surface width: 705 mm  
Cooking surface depth: 598 mm  
External dimensions, Width: 800 mm  
External dimensions, Depth: 900 mm  
External dimensions, Height: 250 mm  
Net weight: 85 kg  
Shipping weight: 105 kg  
Shipping height: 400 mm  
Shipping width: 1020 mm  
Shipping depth: 860 mm  
Shipping volume: 0.35 m<sup>3</sup>

If appliance is set up either next to or against temperature sensitive furniture or similar, a safety gap of approximately 150 mm should be maintained or some form of heat insulation fitted.

Certification group: HEG9E2



Modular Cooking Range Line  
ECO 90 Electric Grill Top HP 800mm

The company reserves the right to make modifications to the products without prior notice. All information correct at time of printing.