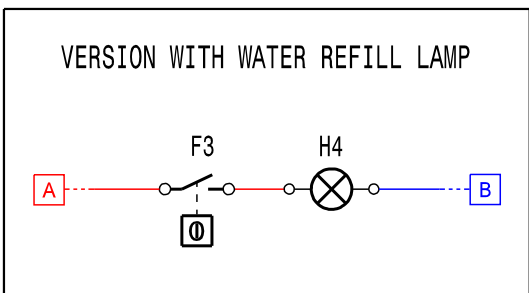
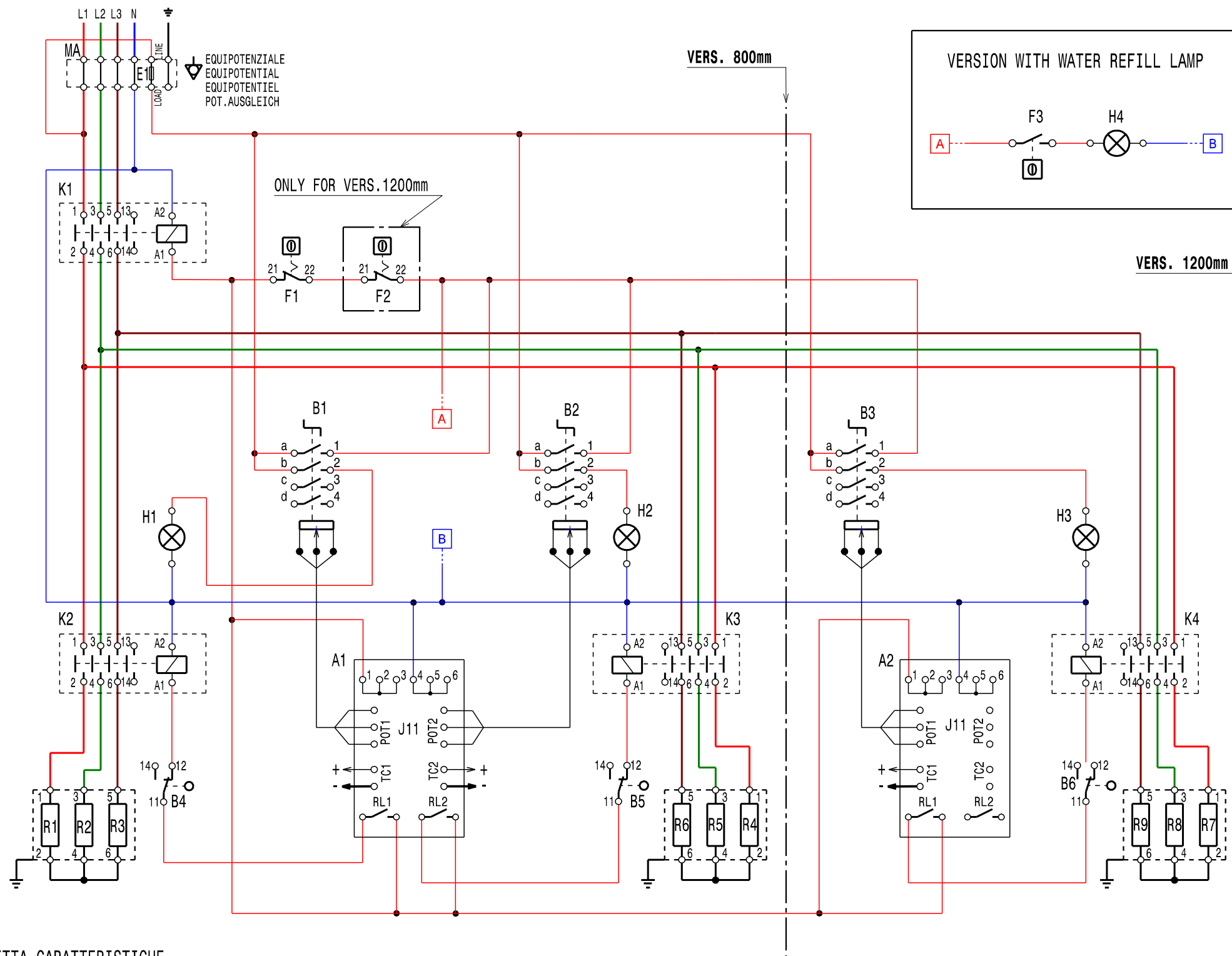
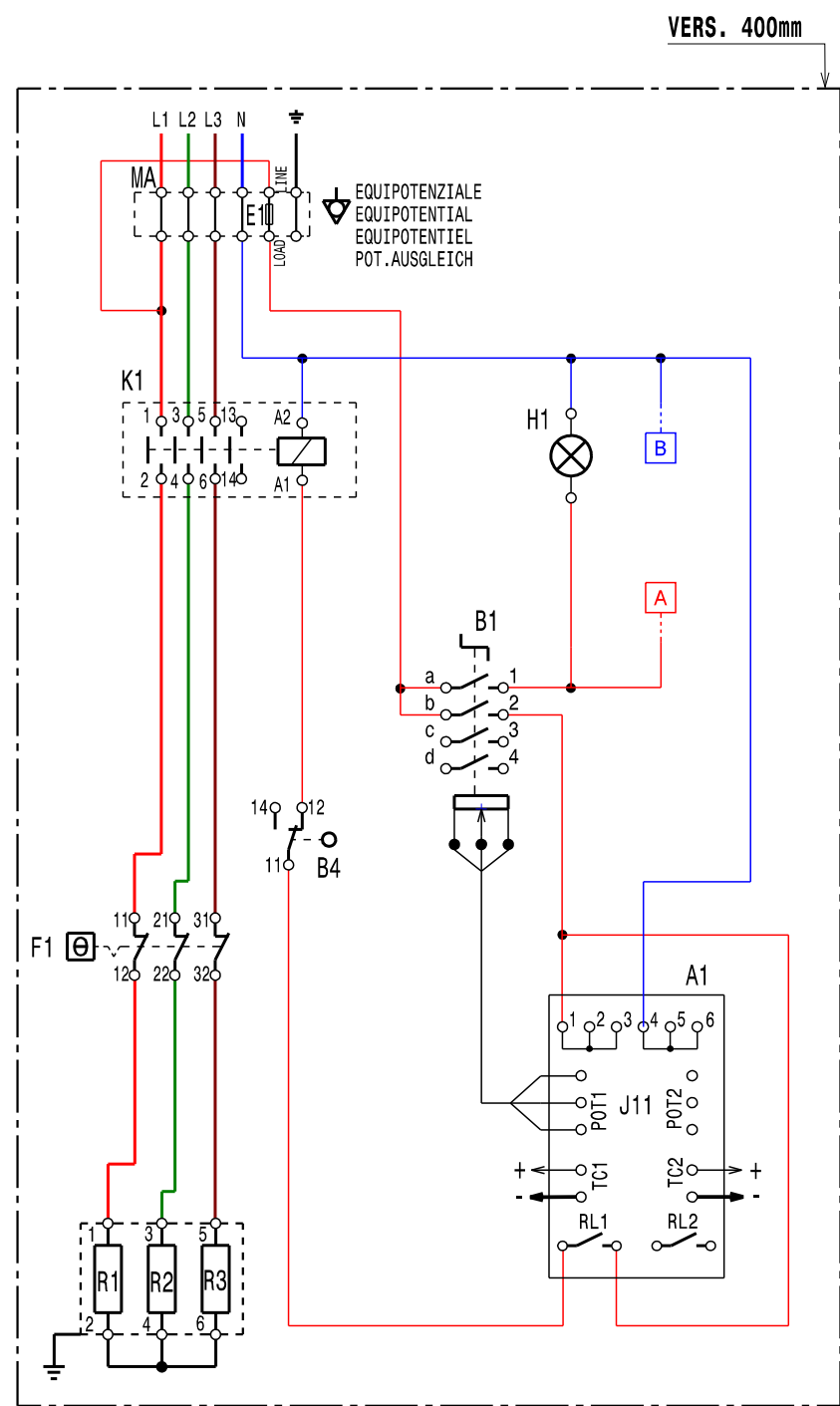




MOD : E22/GPLP1-HP-230/3-

Production code : 393362

11/2023



RICAVARE I DATI DI ALIMENTAZIONE DELL'APPARECCHIATURA DALLA TARGHETTA CARATTERISTICHE.

FOR APPLIANCE POWER SUPPLY VALUES REFER TO DATA LABEL.

E1: 1A "T"

MODEL 700 (400-415V)
400V 3N ~ 50/60Hz
3,45 kW 5A VERS. 400mm
6,9 kW 10A VERS. 800mm
10,35 kW 15A VERS. 1200mm

MODEL 700 (380-400V)
380V 3N ~ 50/60Hz
3,45 kW 5,2A VERS. 400mm
6,9 kW 10,5A VERS. 800mm
10,35 kW 16A VERS. 1200mm

MODEL 700 (415-430V)
430V 3N ~ 50/60Hz
3,3 kW 4,4A VERS. 400mm
6,6 kW 8,8A VERS. 800mm
9,9 kW 13,3A VERS. 1200mm

MODEL 900 (400-415V)
400V 3N ~ 50/60Hz
5,4 kW 7,8A VERS. 400mm
10,8 kW 15,6A VERS. 800mm
16,2 kW 23,4A VERS. 1200mm

MODEL 900 (380-400V)
380V 3N ~ 50/60Hz
5,4 kW 8,2A VERS. 400mm
10,8 kW 16,4A VERS. 800mm
16,2 kW 24,6A VERS. 1200mm

MODEL 900 (415-430V)
430V 3N ~ 50/60Hz
5,2 kW 6,9A VERS. 400mm
10,3 kW 13,9A VERS. 800mm
15,5 kW 20,8A VERS. 1200mm

| | | |
|----------|-----------------------------------|------------------------|
| F3 | TERMOSTATO VASCA | TUB THERMOSTAT |
| B4-B5-B6 | MICROINTERRUTTORE | MICROSWITCH |
| F1-F2 | LIMITATORE DI TEMPERATURA | SAFETY THERMOSTAT |
| E1 | FUSIBILE | FUSE |
| K1-2-3-4 | CONTATTORE | CONTACTOR |
| R1-9 | RESISTENZA | HEATING ELEMENT |
| A1-A2 | SCHEDA CONTROLLO ENERGIA | ENERGY CONTROL BOARD |
| H4 | LAMPADA SEGNAZIONE RICARICO ACQUA | WATER REFILL LAMP |
| H1-2-3 | LAMPADA "CORRENTE INSERITA" | POWER ON LAMP |
| B1-2-3 | INTERRUTTORE + POTENZIOMETRO | SWITCH + POTENTIOMETER |
| MA | MORSETTIERA | MAIN TERMINAL BOARD |

ELECTRIC DIAGRAM GRILL HP 700-900 400V 3P+N

From S/N :

N°: 60289M00