

07/2012

Mod: E22/BA8C-N

Production code: 393146



Diamond
catering equipment

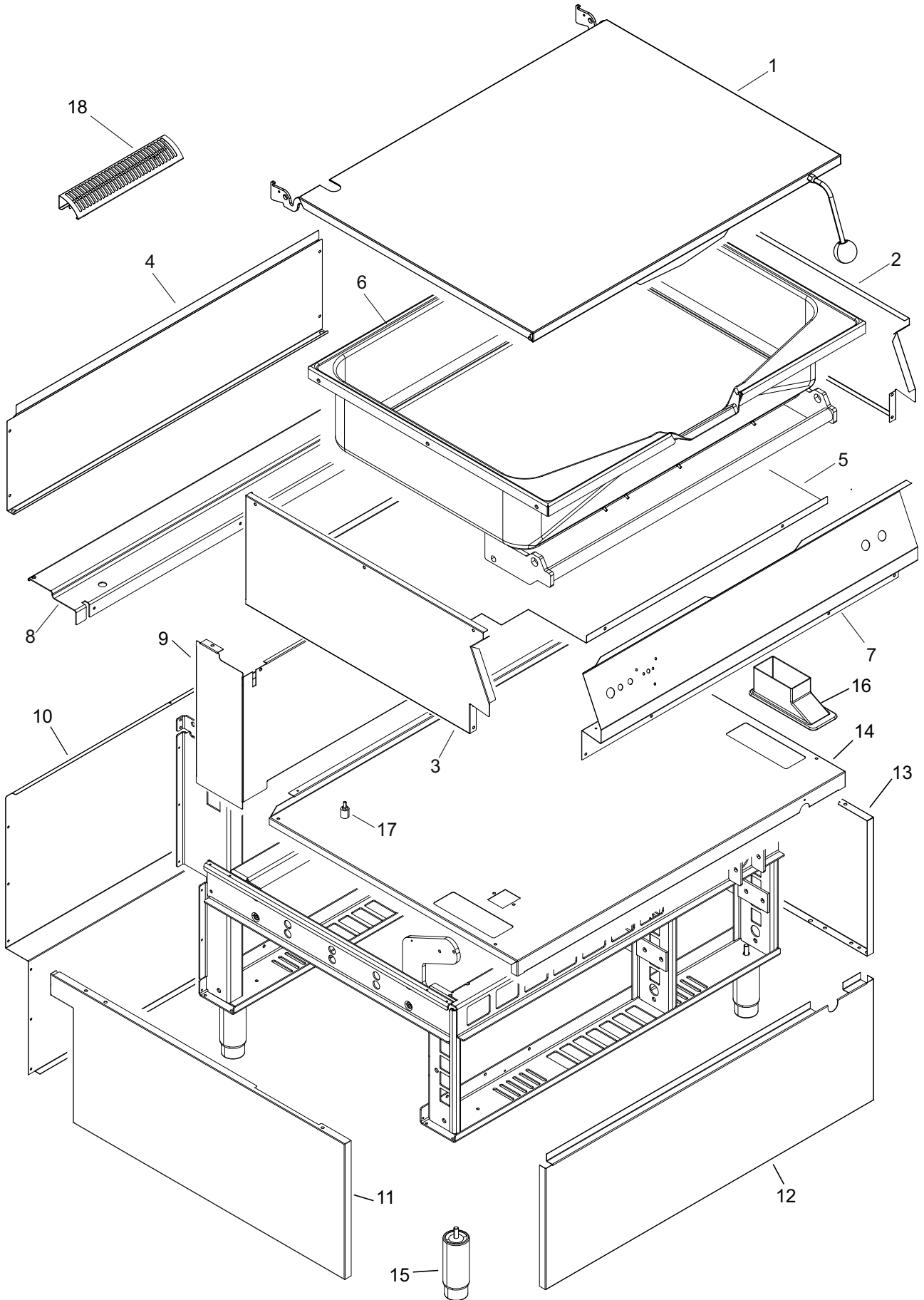
SPARE PARTS CATALOGUE
CATALOGO PARTI DI RICAMBIO
BRASIERA 80/100L E900 XP
BRATT PAN 80/100L E900 XP

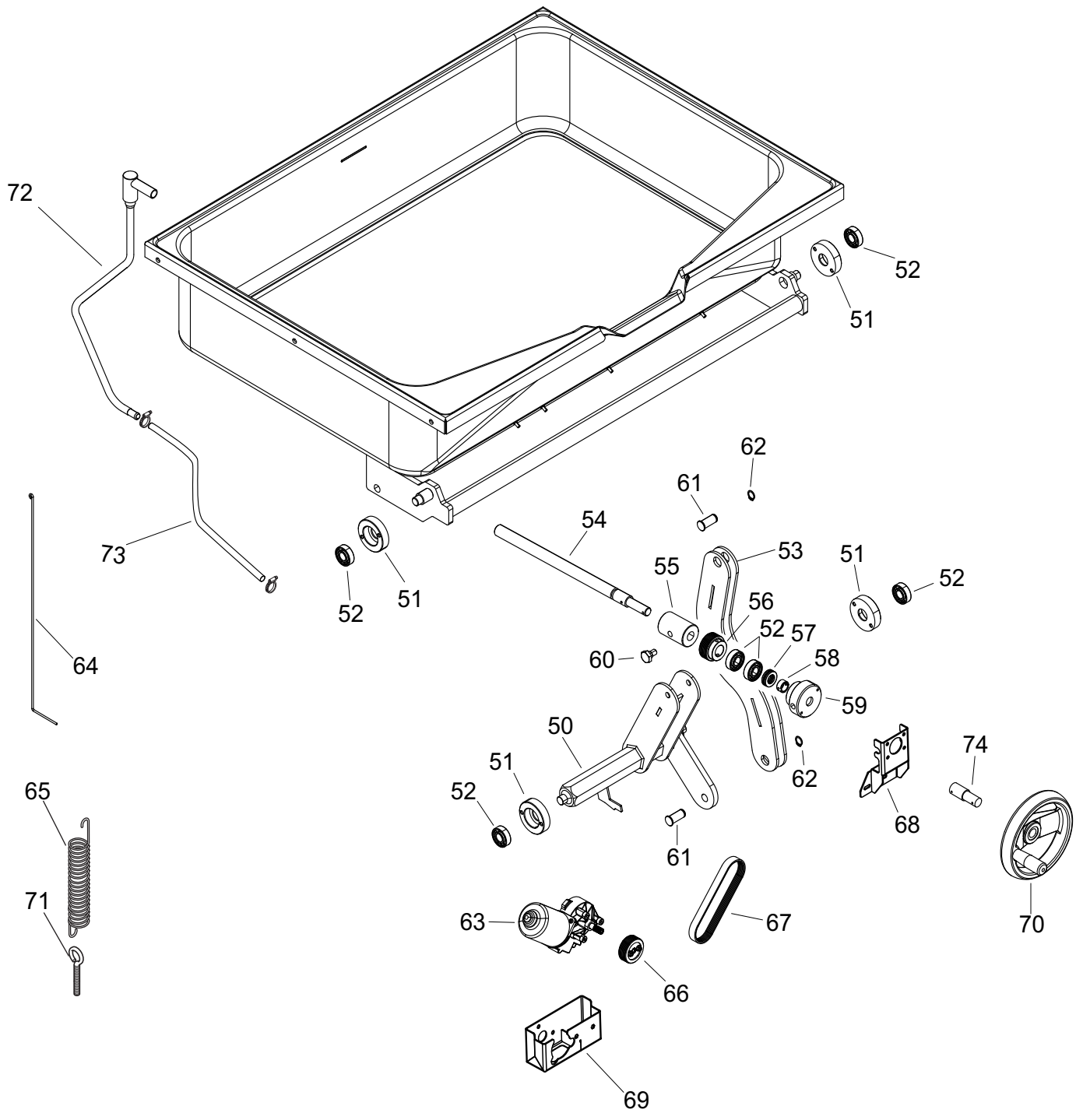
PNC	Model	Ref	Pag.	Brand	Version	Notes
391134	E9BRGHMOF0	a	3..6	ELX	GAS	80LT MILD STEEL BOTTOM
391135	E9BRGHMOFM	b	3..6	ELX	GAS	80LT MILD STEEL BOTTOM AUT
391136	E9BRGHDOF0	c	3..6	ELX	GAS	80LT DUPLEX BOTTOM
391137	E9BRGHDOFM	d	3..6	ELX	GAS	80LT DUPLEX BOTTOM AUT.
391138	E9BRGJMPPF0	e	3..6	ELX	GAS	100LT MILD STEEL BOTTOM
391139	E9BRGJMPPFM	f	3..6	ELX	GAS	100LT MILD ST. BOTTOM AUT.
391140	E9BRGJDPPF0	g	3..6	ELX	GAS	100LT DUPLEX BOTTOM
391141	E9BRGJDPPFM	h	3..6	ELX	GAS	100LT DUPLEX BOTTOM AUT.
391143	E9BREHMOF0	l	3..6	ELX	EL	80LT MILD STEEL BOTTOM
391144	E9BREHMOFM	m	3..6	ELX	EL	80LT MILD STEEL BOTTOM AUT.
391145	E9BREHDOF0	n	3..6	ELX	EL	80LT DUPLEX BOTTOM
391146	E9BREHDOFM	o	3..6	ELX	EL	80LT DUPLEX BOTTOM AUT.
391147	E9BREJMPPF0	p	3..6	ELX	EL	100LT MILD STEEL BOTTOM
391148	E9BREJMPPFM	q	3..6	ELX	EL	100LT MILD ST. BOTTOM AUT.
391149	E9BREJDPPF0	r	3..6	ELX	EL	100LT DUPLEX BOTTOM
391150	E9BREJDPPFM	s	3..6	ELX	EL	100LT DUPLEX BOTTOM AUT.
392134	Z9BRGHMOF0	a1	3..6	ZAN	GAS	80LT MILD STEEL BOTTOM
392135	Z9BRGHMOFM	b1	3..6	ZAN	GAS	80LT MILD STEEL BOTTOM AUT
392136	Z9BRGHDOF0	c1	3..6	ZAN	GAS	80LT DUPLEX BOTTOM
392137	Z9BRGHDOFM	d1	3..6	ZAN	GAS	80LT DUPLEX BOTTOM AUT.
392138	Z9BRGJMPPF0	e1	3..6	ZAN	GAS	100LT MILD STEEL BOTTOM
392139	Z9BRGJMPPFM	f1	3..6	ZAN	GAS	100LT MILD ST. BOTTOM AUT.
392140	Z9BRGJDPPF0	g1	3..6	ZAN	GAS	100LT DUPLEX BOTTOM
392141	Z9BRGJDPPFM	h1	3..6	ZAN	GAS	100LT DUPLEX BOTTOM AUT.

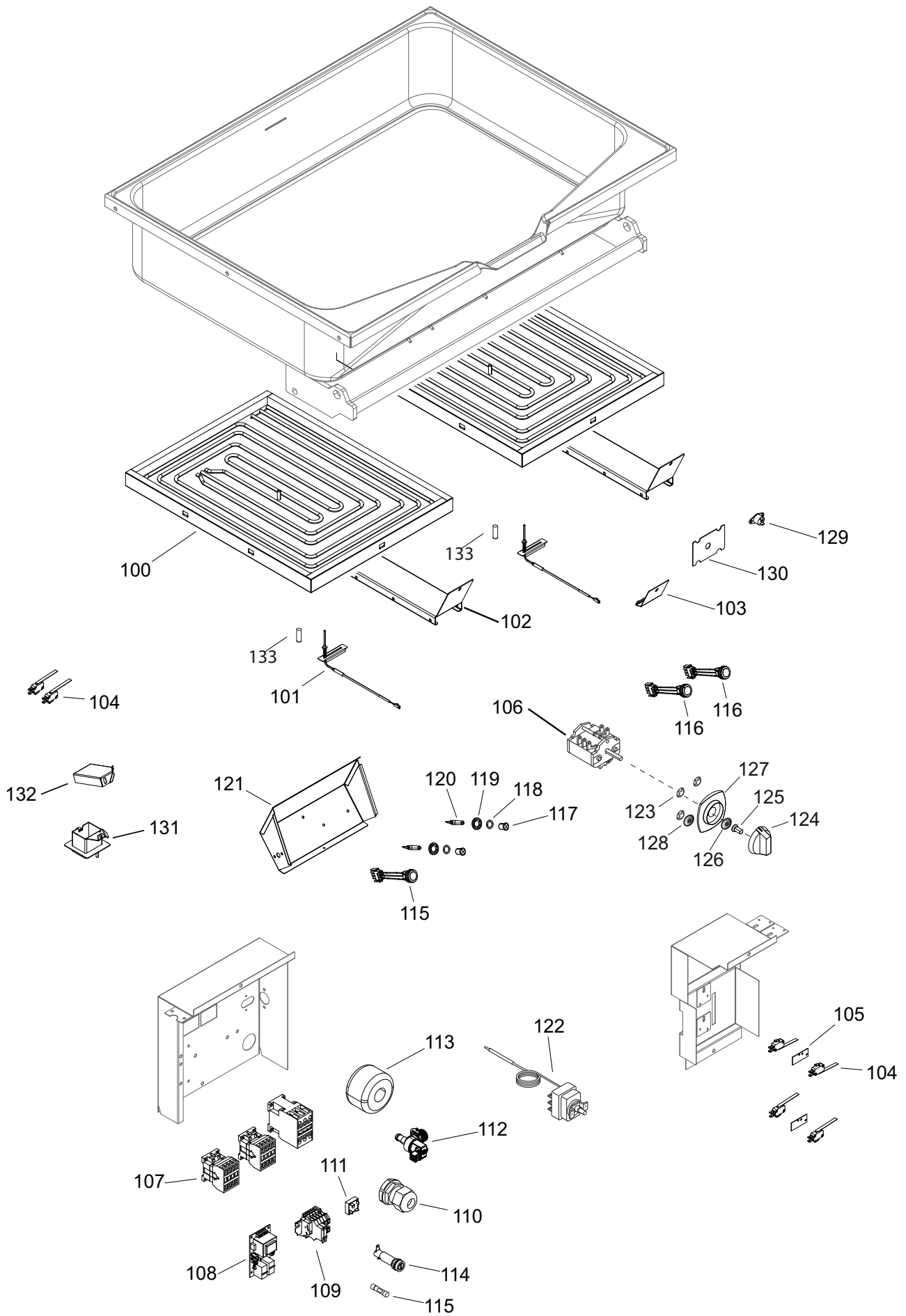
Pag	Index	Indice	Note
3	General componets	Componenti struttura	
4	Lift components	Componenti sollevamento	
5	Electric components	Componenti elettrici	
6	Gas components	Componenti gas	
7,8,9	Spare parts list	Lista ricambi	

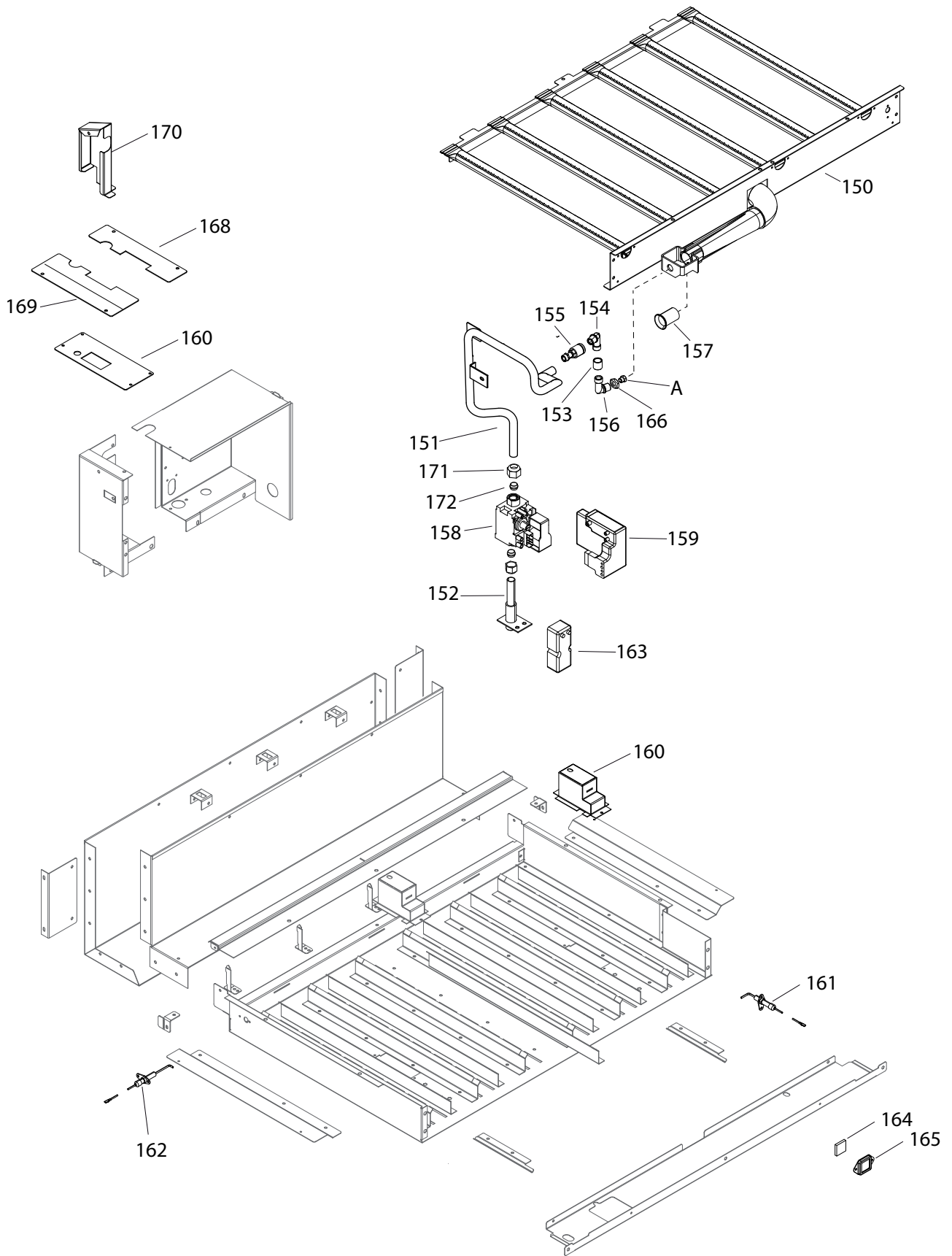
SPARE PARTS CATALOGUE
CATALOGO PARTI DI RICAMBIO
BRASIERA 80/100L E900 XP
BRATT PAN 80/100L E900 XP

PNC	Model	Ref	Pag.	Brand	Version	Notes
392143	Z9BREHMOF0	n1	3..6	ZAN	EL	80LT MILD STEEL BOTTOM
392144	Z9BREHMOFM	o1	3..6	ZAN	EL	80LT MILD STEEL BOTTOM AUT.
392145	Z9BREHDOF0	p1	3..6	ZAN	EL	80LT DUPLEX BOTTOM
392146	Z9BREHDOFM	q1	3..6	ZAN	EL	80LT DUPLEX BOTTOM AUT.
392147	Z9BREJMPF0	r1	3..6	ZAN	EL	100LT MILD STEEL BOTTOM
392148	Z9BREJMPFM	s1	3..6	ZAN	EL	100LT MILD ST. BOTTOM AUT.
392149	Z9BREJDPF0	t1	3..6	ZAN	EL	100LT DUPLEX BOTTOM
392150	Z9BREJDPFM	u1	3..6	ZAN	EL	100LT DUPLEX BOTTOM AUT.
393134	A9BRGHMOF0	a2	3..6	OEM	GAS	80LT MILD STEEL BOTTOM
393135	A9BRGHMOFM	b2	3..6	OEM	GAS	80LT MILD STEEL BOTTOM AUT
393136	A9BRGHDOF0	c2	3..6	OEM	GAS	80LT DUPLEX BOTTOM
393137	A9BRGHDOFM	d2	3..6	OEM	GAS	80LT DUPLEX BOTTOM AUT.
393138	A9BRGJMPF0	e2	3..6	OEM	GAS	100LT MILD STEEL BOTTOM
393139	A9BRGJMPFM	f2	3..6	OEM	GAS	100LT MILD ST. BOTTOM AUT.
393140	A9BRGJDPF0	g2	3..6	OEM	GAS	100LT DUPLEX BOTTOM
393141	A9BRGJDPFM	h2	3..6	OEM	GAS	100LT DUPLEX BOTTOM AUT.
393143	A9BREHMOF0	l2	3..6	OEM	EL	80LT MILD STEEL BOTTOM
393144	A9BREHMOFM	m2	3..6	OEM	EL	80LT MILD STEEL BOTTOM AUT.
393145	A9BREHDOF0	n2	3..6	OEM	EL	80LT DUPLEX BOTTOM
393146	A9BREHDOFM	o2	3..6	OEM	EL	80LT DUPLEX BOTTOM AUT.
393147	A9BREJMPF0	p2	3..6	OEM	EL	100LT MILD STEEL BOTTOM
393148	A9BREJMPFM	q2	3..6	OEM	EL	100LT MILD ST. BOTTOM AUT.
393149	A9BREJDPF0	r2	3..6	OEM	EL	100LT DUPLEX BOTTOM
393150	A9BREJDPFM	s2	3..6	OEM	EL	100LT DUPLEX BOTTOM AUT.









BRASIERA 80/100L E900 XP

BRATT PAN 80/100L E900 XP

<i>Pos</i>	<i>Factory Code</i>	<i>Spare Part Code</i>	<i>Descrizione</i>	<i>Description</i>	<i>Ref./Note</i>
			Pagina 3	Page 3	
1	87089CV00	0C7398	ASSIEME COPERCHIO	COMPLETE COVER	100L untill sn136
1	87089CV01	0C8631	ASSIEME COPERCHIO	COMPLETE COVER	100L from sn137
1	87089ML00	*	ASSIEME COPERCHIO	COMPLETE COVER	80L untill sn136
1	87089ML01	0C7957	ASSIEME COPERCHIO	COMPLETE COVER	80L from sn137
2	50389W701	*	FIANCO SX VASCA	WELL SIDE PANEL, LEFT	
3	50389W801	*	FIANCO DX VASCA	WELL SIDE PANEL, RIGHT	
4	50389VY02	*	SCHIENALE VASCA	WELL BACK PANEL	100L - GAS
4	5038A0401	*	SCHIENALE VASCA	WELL BACK PANEL	80L - GAS
4	50389MT01	*	SCHIENALE VASCA	WELL BACK PANEL	100L - EL
4	50389MU01	*	SCHIENALE VASCA	WELL BACK PANEL	80L - EL
5	50389WG02	*	FONDO RIVESTIMENTO VASCA	WELL BOTTON PANEL	100L - EL
5	50389WH02	*	FONDO RIVESTIMENTO VASCA	WELL BOTTON PANEL	80L - EL
6	87589AU00	*	ASSIEME VASCA DUPLEX	WELL, BRAT PAN DUPLEX	100L EL - untill sn136
6	87589AU02	0C8409	ASSIEME VASCA DUPLEX	WELL, BRAT PAN DUPLEX	100L EL - from sn137
6	87589B601	*	ASSIEME VASCA DUPLEX	WELL, BRAT PAN DUPLEX	100L GAS - untill sn136
6	87589B603	0C8414	ASSIEME VASCA DUPLEX	WELL, BRAT PAN DUPLEX	100L GAS - from sn137
6	87589B701	*	ASSIEME VASCA DUPLEX	WELL, BRAT PAN DUPLEX	80L EL - untill sn136
6	87589B702	0C8388	ASSIEME VASCA DUPLEX	WELL, BRAT PAN DUPLEX	80L EL - from sn137
6	87589B801	*	ASSIEME VASCA DUPLEX	WELL, BRAT PAN DUPLEX	80L GAS - untill sn136
6	87589B803	0C8415	ASSIEME VASCA DUPLEX	WELL, BRAT PAN DUPLEX	80L GAS - from sn137
6	87589B901	*	ASSIEME VASCA FERRO	WELL, BRAT PAN MILD STEEL	100L EL - untill sn136
6	87589B902	0C8416	ASSIEME VASCA FERRO	WELL, BRAT PAN MILD STEEL	100L EL - from sn137
6	87589BB01	*	ASSIEME VASCA FERRO	WELL, BRAT PAN MILD STEEL	100L GAS - untill sn136
6	87589BB03	0C8417	ASSIEME VASCA FERRO	WELL, BRAT PAN MILD STEEL	100L GAS - from sn137
6	87589BC01	*	ASSIEME VASCA FERRO	WELL, BRAT PAN MILD STEEL	80L EL - untill sn136
6	87589BC02	0C8418	ASSIEME VASCA FERRO	WELL, BRAT PAN MILD STEEL	80L EL - from sn137
6	87589BD01	*	ASSIEME VASCA FERRO	WELL, BRAT PAN MILD STEEL	80L GAS - untill sn136
6	87589BD03	0C8419	ASSIEME VASCA FERRO	WELL, BRAT PAN MILD STEEL	80L GAS - from sn137
7	83089FR01	0C7397	CRUSCOTTO BRAS. AUTOMATICA	CONTROL PANEL AUTOMATIC B.P.	ELX 100L EL - untill sn136
7	83089FR04	0C8389	CRUSCOTTO BRAS. AUTOMATICA	CONTROL PANEL AUTOMATIC B.P.	ELX 100L EL - from sn137
7	83089FS01	0C7396	CRUSCOTTO BRAS. AUTOMATICA	CONTROL PANEL AUTOMATIC B.P.	ELX 100L GAS - untill sn136
7	83089FS04	0C8390	CRUSCOTTO BRAS. AUTOMATICA	CONTROL PANEL AUTOMATIC B.P.	ELX 100L GAS - from sn137
7	83089FV01	*	CRUSCOTTO BRAS. AUTOMATICA	CONTROL PANEL AUTOMATIC B.P.	ELX 80L EL - untill sn136
7	83089FV04	0C7952	CRUSCOTTO BRAS. AUTOMATICA	CONTROL PANEL AUTOMATIC B.P.	ELX 80L EL - from sn137
7	83089FX01	*	CRUSCOTTO BRAS. AUTOMATICA	CONTROL PANEL AUTOMATIC B.P.	ELX 80L GAS - untill sn136

7	83089FX04	0C8391	CRUSCOTTO BRAS. AUTOMATICA	CONTROL PANEL AUTOMATIC B.P.	ELX 80L GAS - from sn137
7	83089FZ00	*	CRUSCOTTO BRAS. MANUALE	CONTROL PANEL MANUAL B.P.	ELX 100L EL - untill sn136
7	83089FZ03	0C8392	CRUSCOTTO BRAS. MANUALE	CONTROL PANEL MANUAL B.P.	ELX 100L EL - from sn137
7	83089G100	*	CRUSCOTTO BRAS. MANUALE	CONTROL PANEL MANUAL B.P.	ELX 80L EL - untill sn136
7	83089G103	*	CRUSCOTTO BRAS. MANUALE	CONTROL PANEL MANUAL B.P.	ELX 80L EL - from sn137
7	83089G200	*	CRUSCOTTO BRAS. MANUALE	CONTROL PANEL MANUAL B.P.	ELX 100L GAS - untill sn136
7	83089G203	0C8394	CRUSCOTTO BRAS. MANUALE	CONTROL PANEL MANUAL B.P.	ELX 100L GAS - from sn137
7	83089G300	*	CRUSCOTTO BRAS. MANUALE	CONTROL PANEL MANUAL B.P.	ZAN 100L GAS - untill sn136
7	83089G303	0C8395	CRUSCOTTO BRAS. MANUALE	CONTROL PANEL MANUAL B.P.	ZAN 100L GAS - from sn137
7	83089G400	*	CRUSCOTTO BRAS. MANUALE	CONTROL PANEL MANUAL B.P.	ELX 80L GAS - untill sn136
7	83089G403	0C8396	CRUSCOTTO BRAS. MANUALE	CONTROL PANEL MANUAL B.P.	ELX 80L GAS - from sn137
7	83089G700	*	CRUSCOTTO BRAS. MANUALE	CONTROL PANEL MANUAL B.P.	ZAN 80L GAS - untill sn136
7	83089G703	0C8397	CRUSCOTTO BRAS. MANUALE	CONTROL PANEL MANUAL B.P.	ZAN 80L GAS - from sn137
7	83089G800	*	CRUSCOTTO BRAS. AUTOMATICA	CONTROL PANEL AUTOMATIC B.P.	ZAN 80L GAS - untill sn136
7	83089G803	0C8398	CRUSCOTTO BRAS. AUTOMATICA	CONTROL PANEL AUTOMATIC B.P.	ZAN 80L GAS - from sn137
7	83089G900	*	CRUSCOTTO BRAS. AUTOMATICA	CONTROL PANEL AUTOMATIC B.P.	ZAN - 100L - GAS
7	83089G903	0C8399	CRUSCOTTO BRAS. AUTOMATICA	CONTROL PANEL AUTOMATIC B.P.	ZAN - 100L - GAS
7	83089GA00	*	CRUSCOTTO BRAS. MANUALE	CONTROL PANEL MANUAL B.P.	ZAN 80L EL - untill sn136
7	83089GA03	*	CRUSCOTTO BRAS. MANUALE	CONTROL PANEL MANUAL B.P.	ZAN 80L EL - from sn137
7	83089GB00	0C7953	CRUSCOTTO BRAS. AUTOMATICA	CONTROL PANEL AUTOMATIC B.P.	ZAN 80L EL - untill sn136
7	83089GB03		CRUSCOTTO BRAS. AUTOMATICA	CONTROL PANEL AUTOMATIC B.P.	ZAN 80L EL - from sn137
7	83089GC00	*	CRUSCOTTO BRAS. MANUALE	CONTROL PANEL MANUAL B.P.	ZAN 100L EL - untill sn136
7	83089GC03	0C8401	CRUSCOTTO BRAS. MANUALE	CONTROL PANEL MANUAL B.P.	ZAN 100L EL - from sn137
7	83089GD00	*	CRUSCOTTO BRAS. AUTOMATICA	CONTROL PANEL AUTOMATIC B.P.	ZAN 100L EL - untill sn136
7	83089GD03	0C7954	CRUSCOTTO BRAS. AUTOMATICA	CONTROL PANEL AUTOMATIC B.P.	ZAN 100L EL - from sn137
7	83089GF00	*	CRUSCOTTO BRAS. MANUALE	CONTROL PANEL MANUAL B.P.	OEM 80L GAS - untill sn136
7	83089GF03	0C8402	CRUSCOTTO BRAS. MANUALE	CONTROL PANEL MANUAL B.P.	OEM 80L GAS - from sn137
7	83089GG00	*	CRUSCOTTO BRAS. AUTOMATICA	CONTROL PANEL AUTOMATIC B.P.	OEM 80L GAS - untill sn136
7	83089GG03	0C8403	CRUSCOTTO BRAS. AUTOMATICA	CONTROL PANEL AUTOMATIC B.P.	OEM 80L GAS - from sn137
7	83089GH00	*	CRUSCOTTO BRAS. MANUALE	CONTROL PANEL MANUAL B.P.	OEM 100L GAS - untill sn136
7	83089GH03	0C8404	CRUSCOTTO BRAS. MANUALE	CONTROL PANEL MANUAL B.P.	OEM 100L GAS - from sn137
7	83089GJ00	*	CRUSCOTTO BRAS. AUTOMATICA	CONTROL PANEL AUTOMATIC B.P.	OEM 100L GAS - untill sn136
7	83089GJ03	0C8405	CRUSCOTTO BRAS. AUTOMATICA	CONTROL PANEL AUTOMATIC B.P.	OEM 100L GAS - from sn137
7	83089GK00	*	CRUSCOTTO BRAS. MANUALE	CONTROL PANEL MANUAL B.P.	OEM 80L EL - from sn137
7	83089GK03	*	CRUSCOTTO BRAS. MANUALE	CONTROL PANEL MANUAL B.P.	OEM 80L EL - untill sn136

7	83089GL00		CRUSCOTTO BRAS. AUTOMATICA	CONTROL PANEL AUTOMATIC B.P.	OEM 80L EL - from sn137
7	83089GL03	OC7955	CRUSCOTTO BRAS. AUTOMATICA	CONTROL PANEL AUTOMATIC B.P.	OEM 80L EL - untill sn136
7	83089GM00	*	CRUSCOTTO BRAS. MANUALE	CONTROL PANEL MANUAL B.P.	OEM 100L EL - untill sn136
7	83089GM03	OC8408	CRUSCOTTO BRAS. MANUALE	CONTROL PANEL MANUAL B.P.	OEM 100L EL - from sn137
7	83089GN00		CRUSCOTTO BRAS. AUTOMATICA	CONTROL PANEL AUTOMATIC B.P.	OEM 100L EL - untill sn136
7	83089GN03	OC7956	CRUSCOTTO BRAS. AUTOMATICA	CONTROL PANEL AUTOMATIC B.P.	OEM 100L EL - from sn137
8	83089FQ00	*	PANNELLO POSTERIORE RIPIANO	WORK TOP BACK PANEL	100L - EL
8	83089FT00	*	PANNELLO POSTERIORE RIPIANO	WORK TOP BACK PANEL	80L - EL
8	83089FU00	*	PANNELLO POSTERIORE RIPIANO	WORK TOP BACK PANEL	100L - GAS
8	83089FW00	*	PANNELLO POSTERIORE RIPIANO	WORK TOP BACK PANEL	80L - GAS
9	50389W501	*	SCHIENALE BASE	BASE BACK PANEL	100L - EL
9	50389W601	*	SCHIENALE BASE	BASE BACK PANEL	80L - EL
9	50389VZ01	*	SCHIENALE BASE	BASE BACK PANEL	100L - GAS
9	5038A0W01	*	SCHIENALE BASE	BASE BACK PANEL	80L - GAS
10	50389VZ01	*	SCHENALE BASE	BACK PANEL	100L - GAS
10	50389W501	*	SCHENALE BASE	BACK PANEL	100L - EL
10	50389W601	*	SCHENALE BASE	BACK PANEL	80L - EL
10	5038A0W01	*	SCHENALE BASE	BACK PANEL	80L - GAS
11	50389N401	*	FIANCO BASE SINISTRO	SIDE PANEL, LEFT	
12	50389W301	*	PANNELLO ANTERIORE	FRONT PANEL	100L
12	50389W401	*	PANNELLO ANTERIORE	FRONT PANEL	80L
13	50389N301	*	FIANCO BASE DESTRO	SIDE PANEL, RIGHT	
14	50389N001	*	PANNELLO COPERTURA BASE	COVER PANEL	100L - EL
14	50389N101	*	PANNELLO COPERTURA BASE	COVER BASE PANEL	80L - EL
14	5038A1R01	*	PANNELLO COPERTURA BASE	COVER BASE PANEL	100L - GAS
14	5038A1S01	*	PANNELLO COPERTURA BASE	COVER BASE PANEL	80L - GAS
15	835856900	OC0204	PIEDE	FOOT	
16	541813C00	*	PROTEZIONE CERNIERA	HINGE COVER	
17	315252601	026806	PIEDINO IN GOMMA	FOOT RUBBER	
18	50389LP00	OC7333	GRIGLIA CAMINO L. 400 mm	CHIMNEY GRIDS 400 mm	GAS
18	50389LQ00	OC7569	GRIGLIA CAMINO L. 200 mm	CHIMNEY GRIDS 200 mm	GAS
50	85589CC01	OC7406	ASSIEME LEVA SOLLEVAMENTO	LEVEL, TILTING	
51	516864901	OC4332	SUPPORTO CUSCINETTO	BEARING SUPPORT	
52	835834700	056820	CUSCINETTO RADIALE	RADIAL BEARING	
53	85589CD00	OC7399	ASSIEME PUNTONE	STRUT	
54	51489B901		VITE	SCREW	
55	516865301	OC0675	MADREVITE	DIE	
56	51489BA00		PULEGGIA	PULLEY	
57	835834600	056821	CUSCINETTO ASSIALE	AXIAL BEARING	
58	51489B701	OC7408	BOCCOLA	BUSH	
59	51489BP00		SUPPORTO VITE	SCREW SUPPORT	
60	214126800	051365	PERNO	PIN	

61	51489B600	0C7407	PERNO	PIN	
62	219001411	0C5172	SEEGER	SEEGER	
63	611809A00	0C7401	MOTORIDUTTORE	MOTOREDUCER	AUTOMATIC
64	51489BB00		ASTA MICRO COPERCHIO	SHAFT FOR COVER MICRO	
65	516865201	0C0666	MOLLA PER COPERCHIO	PRING LID	
66	51489BD00	*	PULEGGIA MOTORE	PULLEY, MOTOREDUCER	AUTOMATIC
67	547800100	002148	CINGHIA	BELT, MOTOR	AUTOMATIC
68	50689BJ01	*	SUPPORTO MOTORE	SUPPORT, MOTOR	AUTOMATIC
69	50689BK01	*	FISSAGGIO MOTORE	FIXING, MOTOR	AUTOMATIC
70	835829000	0A5164	VOLANTINO	CRANK	MANUAL
71	A05144900	0A2551	OCCHIELLO	SCREW, SPRING	
72	83089FL00	*	ASSIEME GETTO EROGATORE	TAP, WATER	
73	544819400	0C5829	TUBO EPDM	EPDM PIPING	
74	516871100	0C1438	PROLUNGA VOLANTINO	EXTENSION CRANK	MANUAL
100	617839A00	0C7411	RESISTENZA 8,5 kW	HEATING ELEMENT	100L – EL
100	617839B00	*	RESISTENZA 6,5 kW	HEATING ELEMENT	80L – EL
101	831857800	0C7421	TERMOCOPPIA	THERMOCOUPLE	
102	50489JB00	*	SUPPORTO RESISTENZA	HEATING ELEMENT SUPPORT	EL
103	50689BH00		PIASTRINA FISSAGGIO LIMITATORE	LIMITER FIXING PLATELET	
104	640800800	053671	MICROINTERRUTTORE	MICROSWITCH	
105	246214023	045404	PIASTRINA ISOLANTE	INSULATION PLATELET	AUTOMATIC
106	641805200	0C7415	INTERRUTTORE+POTENZIOMETRO	SWITCH + POTENTIOMETER	
107	648807400	006879	CONTATTORE K3 18A	CONTACTOR	EL
108	675860000	0C7416	SCHEDA CONTROLLO TERMOCOPPIE	THERMOCOUPLE BOARD	
109	639806600	6854	MORSETTIERA	TERMINAL BOARD	EL
109	639813400	*	MORSETTIERA	TERMINAL BOARD	GAS
110	544802200	0C2328	PRESSACAVO	FAIRLEAD	GAS
110	544802400	0C3528	PRESSACAVO	FAIRLEAD	EL
111	675830800	006147	RADDRIZZATORE	RECTIFIER	AUTOMATIC
112	696807400	0C4984	ELETTROVALVOLA ACQUA	WATER VALVE	
113	624805601	006159	TRASFORMATORE	TRASFORMER	AUTOMATIC
114	652800401	056582	PORTAFUSIBILE	FUSE HOLDER	
115	452140500	057783	FUSIBILE 5x20	FUSE	
116	640804D00	0C7559	PULSANTE	PUSH BOTTON	Untill 218 tb PDX2012-02
116	640804D01	0C8677	PULSANTE	PUSH BOTTON	From 219 tb PDX2012-02
117	655800100	*	LENTE VERDE	GREEN LENS	
117	655800200	0C2182	LENTE ARANCIO	ORANGE LENS	
118	543826400	0C2183	OR	OR	
119	527815500	0C2184	PIASTRINA FISSAGGIO	FIXING FLANGE	
120	660806900	0C2585	LAMPADINA	LAMP	
*	876800002	005010	ASSIEME LAMPADA VERDE	COMPLETE LAMP, GREEN	
*	876800102	005011	ASSIEME LAMPADA ARANCIO	COMPLETE LAMP, ORANGE	
121	50489JH00	*	PROTEZIONE COMP. EL.	ELECTRICAL CASE PROTECTION	
122	646810102	005931	LIMITATORE	LIMITER	GAS
123	218912211	069567	MOLLETTA PER GHIERA	RING, RING KNOB	
124	511850G01	0C6670	MANOPOLA	KNOB	ELX

124	548878201	0C7232	MANOPOLA	KNOB	ZAN
124	548865500	0A5621	MANOPOLA	KNOB	OEM
125	548877V00	0C7345	ADATTATORE MANOPOLA	KNOB ADAPTER	ELX
126	543821000	053816	GUARNIZIONE MANOPOLA	KNOB GASKET	
127	54887A601	*	GHIERA	RING, KNOB	
127	54887A900	*	GHIERA	RING, KNOB	
128	541813800	0C6171	RONDELLA IN SILICONE	SILICONE WASHER	
129	646814700	*	CLICKSON	CLICKSON	EL
130	646814700	*	PIASTRINA FISSAGGIO CLICKSON	CLICKSON PLATELET	
131	50489JT01	*	PROTEZIONE CAVI	WIRING PROTECTION	EL
132	507899P00	*	COPERCHIO PROTEZIONE CAVI	COVER WIRING PROTECTION	EL
133	569807M00	0C8674	TUBETTO IN STEATITE	CERAMIC TUBE	
150	83089FP01	*	BRUCIATORE	BURNER	80L – GAS
150	83089F702	0C7420	BRUCIATORE	BURNER	100L – GAS
151	51589AK01	*	CONDUTTURA GAS	PIPING GAS	GAS
152	80589AS01	0C7417	TUBO ENTRATA GAS	INLET PIPING GAS	GAS
153	51589AC00	0C7410	MANICOTTO	COUPLING	GAS
154	511805801	059375	CONDOTTO GAS	NUT	GAS
155	835876100	0C7409	GIUNTO ROTANTE	ROTATING CONNECTION	GAS
156	511805401	059250	PORTAUGELLO	NOZZLE HOLDER	GAS
157	215086000	051774	BOCCOLA REGOLAZIONE ARIA	BUSHING FOR AIR REGULATION	GAS
158	83089FM00	*	VALVOLA GAS	GAS VALVE	GAS
159	624811700	*	CENTRALINA CONTROLLO FIAMMA	GAS VALVE BOARD	GAS
160	50489JD02	*	SCATOLA TERMOCOPPIA	BOX FOR THERMOCOUPLE	GAS
161	83089F501	0C7419	CANDELINA ACCENSIONE	IGNITION ROD	GAS
162	83089F401	0C7418	CANDELINA RILEVAZIONE	CHECK FLAME ROD	GAS
163	624804700	004240	ACCENDITORE	IGNITION BOARD	GAS
164	275290025	057400	VETRINO	SLIDE	GAS
165	206260400	057382	CORNICE PER VETRINO	FRAME FOR SLIDE	GAS
166	214105101	020997	CONTRODADO	NUT	GAS
167	543844L00	*	GUARNIZIONE ACQUA	WATER GASKET	GAS
168	50589D700	*	PROTEZIONE INTERNA	INTERNAL PROTECTION	GAS
169	50589D600	*	PROTEZIONE ESTERNA	EXTERNAL PROTECTION	GAS
170	50489L001	*	PROTEZIONE ENTRATA CAVI	INLET WIRING PROTECTION	GAS
171	516847000	*	DADO	NUT	GAS
172	515801715	*	OGIVA	OGIVA	GAS

Brasiera 80lt / Brat Pan 80lt		
A - Ugello bruciatore / Burner nozzle		
Code	Spare part code	Reference
A05659600	059359	2H/2E+ G20 20mbar
516813100	002782	2H G20 25mbar
A05257200	0C0703	2ELL G25 20mbar
514887900	059639	2L G25 25mbar
A05158400	0A2104	3+3B/P G30 30mbar
A05659400	0A2475	3B/P G30 37mbar
A05620700	058335	3B/P G30 50mbar
514887900	059639	2ES G25.1 25mbar

Brasiera 100lt / Brat Pan 100lt		
A - Ugello bruciatore / Burner nozzle		
Code	Spare part code	Reference
516813500	002792	2H/2E+ G20 20mbar
516816000	002866	2H G20 25mbar
516832800	003951	2ELL G25 20mbar
516816500	002864	2L G25 25mbar
A05230100	056795	3+3B/P G30 30mbar
A05659400	0A2475	PL 3B/P G30 37mbar
A05662000	0A5356	DE-AT 3B/P G30 50mbar
516816500	002864	HU 2S G25.1 25mbar