

MOD : E17/GPLP1-HP-230/3-

Production code : 373302



Modular Cooking Range Line ECO 70 Electric Grill Top HP 400mm

ITEM # _____
 MODEL # _____
 NAME # _____
 SIS # _____
 AIA # _____



373302 (N7JJCIAOMCG) Half module electric grill top - HP

Short Form Specification

Item No. _____

Heating via incoloy armoured heating elements positioned under the cooking grid. Cooking surface grids are easily removable for cleaning. Heating elements can be tilted. Integrated water tap. Fixed well with drain. Extra strength work top in heavy duty 1,5 mm stainless steel. Right-angled side edges to allow flush-fitting junction between units. WRAS compliant. 230 V Version.

Main Features

- Led warning indicator to give an alarm when well is empty.
- Top configuration allows installation on ambient base.
- Incoloy armoured heating elements positioned under the cooking grid.
- Each bank of elements has an independent power regulation through a control knob.
- Power indicator light.
- Heating elements tilt 90° for easy cleaning.
- Removable 2mm thick steel U-shaped grids for fast heating of cooking surface.
- Fixed well with drain to collect residual cooking juices and grease.
- Large drain protected by overflow and filter.
- Water must be added to well before operation.
- Water filling tap with knob control.
- Removable stainless steel deflectors to recuperate heat and reduce cooking time.
- Stainless steel splash guards on sides of cooking surface. Splash guards can be easily removed for cleaning.
- Top configuration can be installed on refrigerated / freezer base with limited layout options.
- Suitable for countertop installation.

Construction

- Model has right-angled side edges to allow flush fitting joints between units, eliminating gaps and possible dirt traps.
- One piece pressed 1.5 mm work top in Stainless steel.
- All exterior panels in Stainless Steel with Scotch Brite finishing.
- Unit is 700mm deep to give a larger working surface area.

Included Accessories

- 1 of SCRAPER FOR HP ELECTRIC GRILL PNC 206436

Optional Accessories

- JUNCTION SEALING KIT PNC 206086
- SUPPORT FOR "BRIDGE" SYSTEM 800 MM PNC 206137
- SUPPORT FOR "BRIDGE" SYSTEM 1000 MM PNC 206138
- SUPPORT FOR "BRIDGE" SYSTEM 1200 MM PNC 206139
- SUPPORT FOR "BRIDGE" SYSTEM 1400 MM PNC 206140
- SUPPORT FOR "BRIDGE" SYSTEM 1600 MM PNC 206141
- SUPPORT FOR "BRIDGE" SYSTEM 400 MM PNC 206154
- FRONTAL HANDRAIL 400 MM PNC 206166
- FRONTAL HANDRAIL 800 MM PNC 206167
- LARGE HANDRAIL(PORTIONING SHELF)400 MM PNC 206185
- LARGE HANDRAIL(PORTIONING SHELF)800 MM PNC 206186

APPROVAL: _____



Modular Cooking Range Line ECO 70 Electric Grill Top HP 400mm

- FRONTAL HANDRAIL 1200 MM PNC 206191
- FRONTAL HANDRAIL 1600 MM PNC 206192
- SIDE HANDRAIL-RIGHT/LEFT SIDE-700 LINE PNC 206240
- 2 SUPP+RUNNER-4 GN 1/1 OPEN BASE 700 PNC 206257
- 2 SIDE COVERING PANELS H=250-D=700 PNC 206320
- SCRAPER FOR HP ELECTRIC GRILL PNC 206436
- DRAIN EXTENTION FOR HP ELECTRIC GRILL PNC 206437



Modular Cooking Range Line
ECO 70 Electric Grill Top HP 400mm

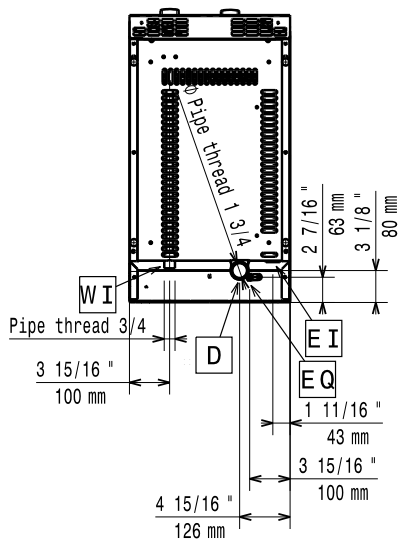
The company reserves the right to make modifications to the products without prior notice. All information correct at time of printing.

2023.07.03

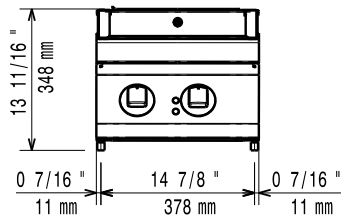


Modular Cooking Range Line ECO 70 Electric Grill Top HP 400mm

Top

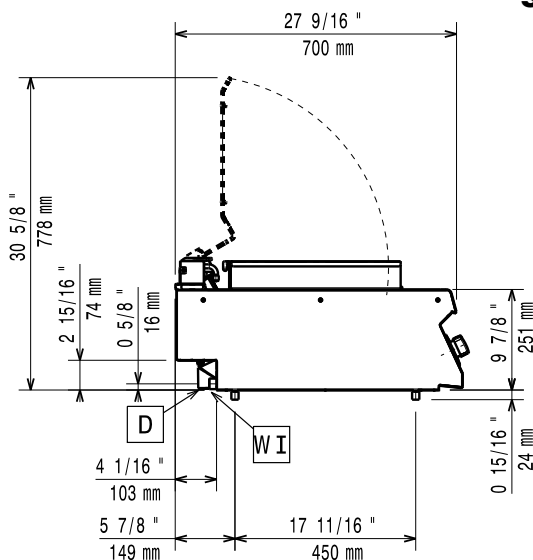


Front



- D = Drain
- EI = Electrical inlet (power)
- EQ = Equipotential screw
- WI = Water inlet

Side



Electric

Supply voltage:

373302 (N7JJCIAOMCG) 230 V/3N ph/50/60 Hz

Electrical power max.:

3.75 kW

Predisposed for:

Key Information:

Cooking surface width:	345 mm
Cooking surface depth:	400 mm
External dimensions, Width:	400 mm
External dimensions, Depth:	700 mm
External dimensions, Height:	250 mm
Net weight:	44 kg
Shipping weight:	39 kg
Shipping height:	540 mm
Shipping width:	500 mm
Shipping depth:	820 mm
Shipping volume:	0.22 m ³

If appliance is set up either next to or against temperature sensitive furniture or similar, a safety gap of approximately 150 mm should be maintained or some form of heat insulation fitted.

Certification group:

HEG7E1

Modular Cooking Range Line
ECO 70 Electric Grill Top HP 400mm

The company reserves the right to make modifications to the products without prior notice. All information correct at time of printing.