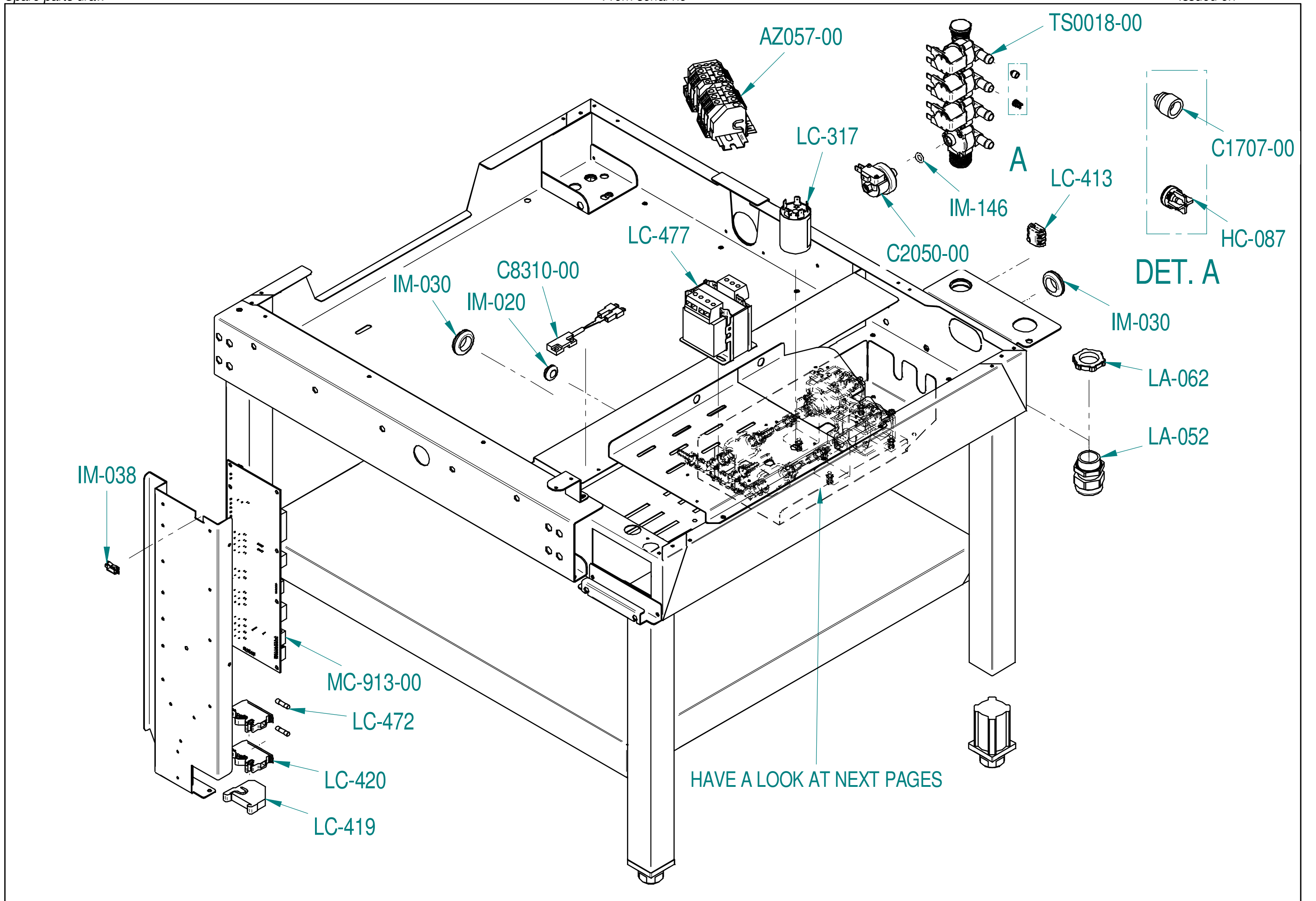
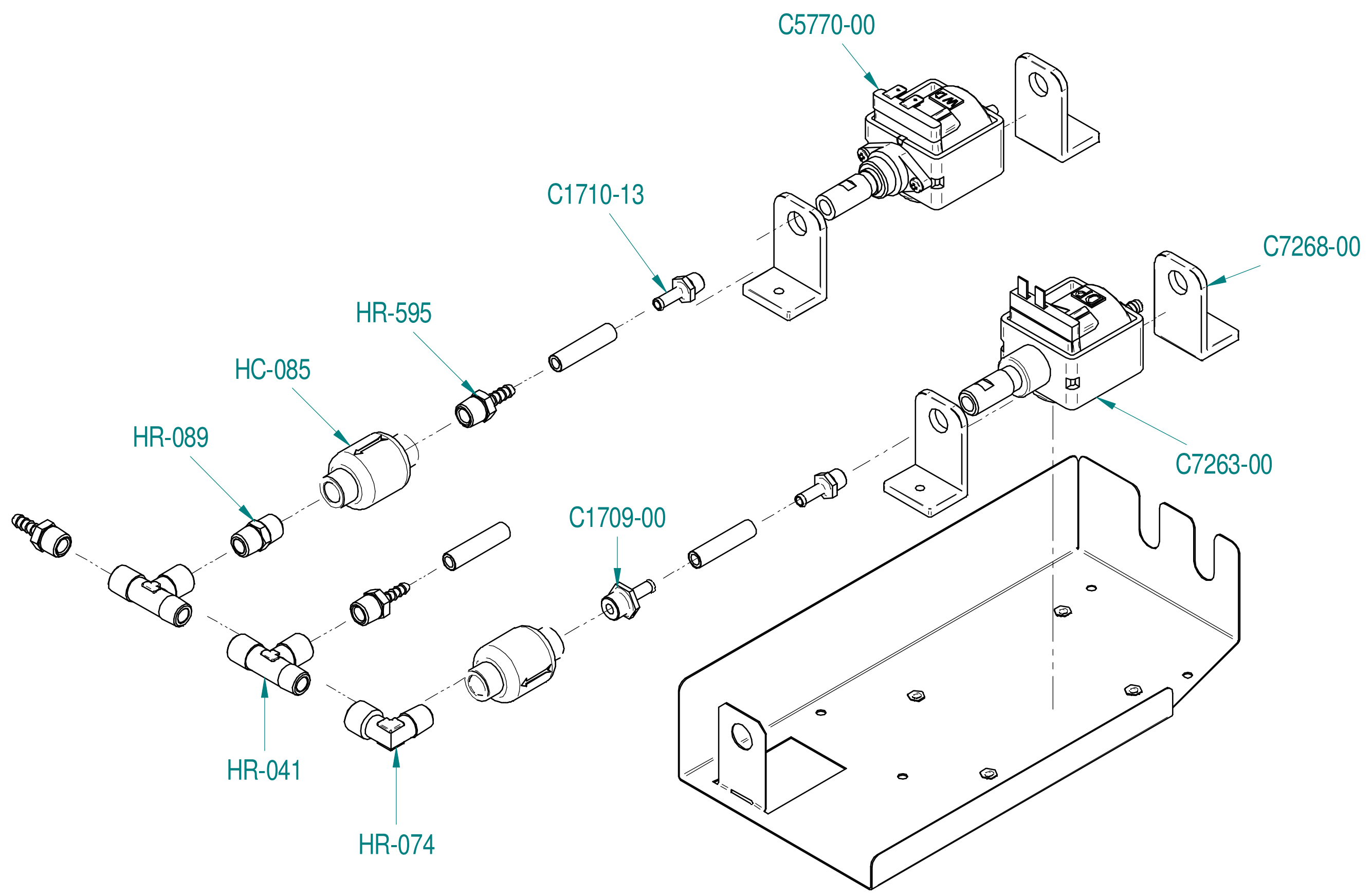


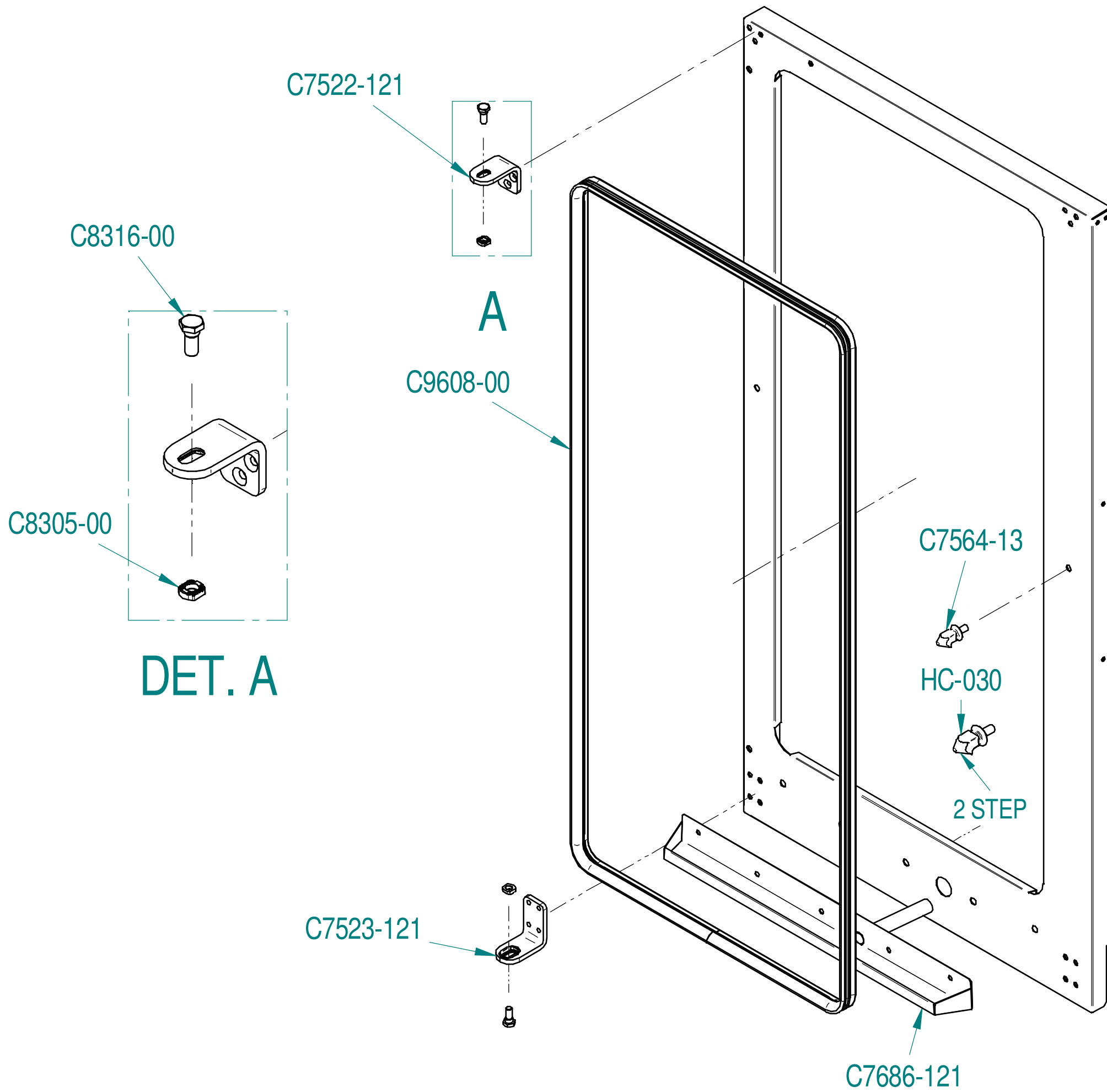
02/2023

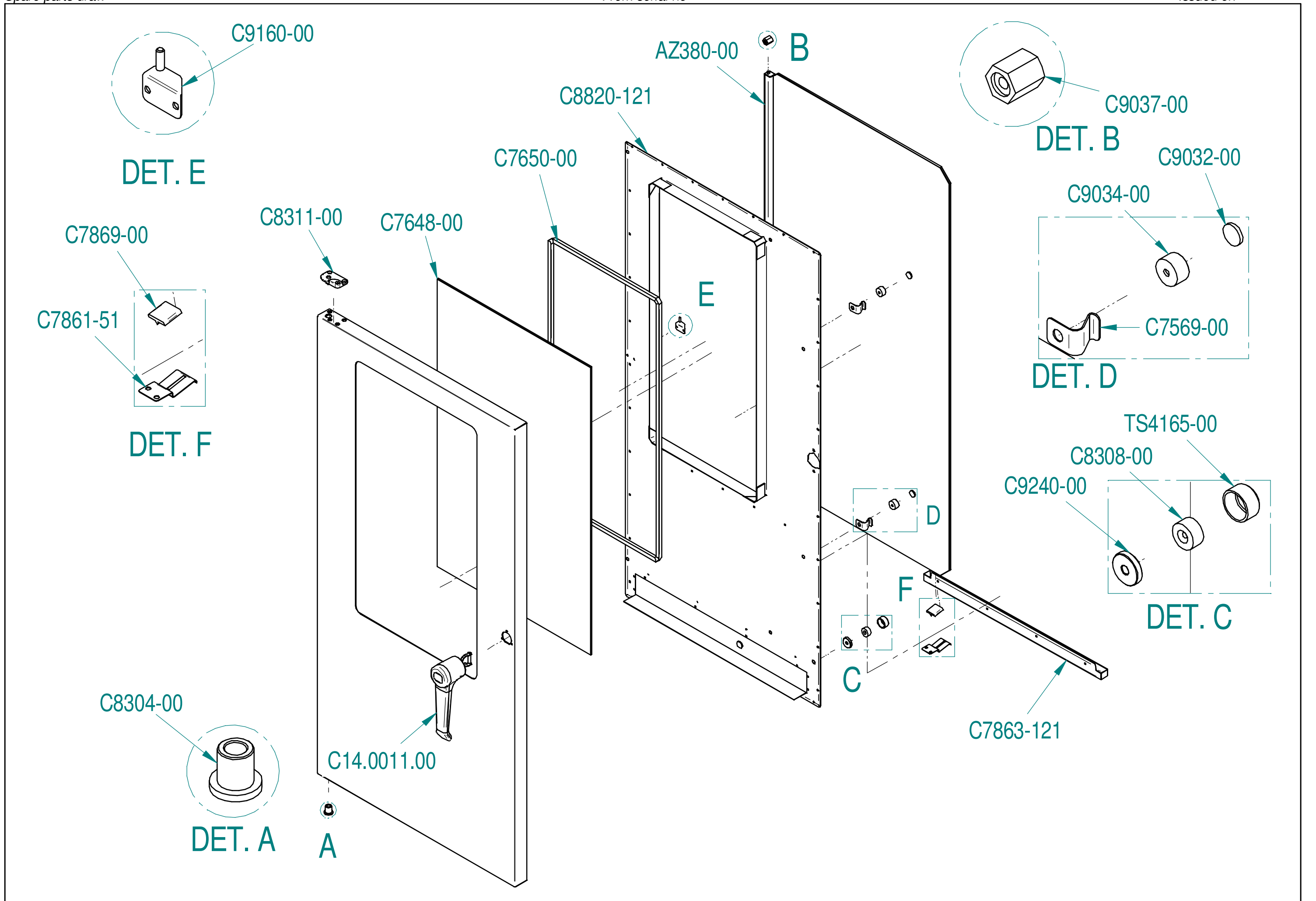
# **Mod: DFV-1511/PTS**

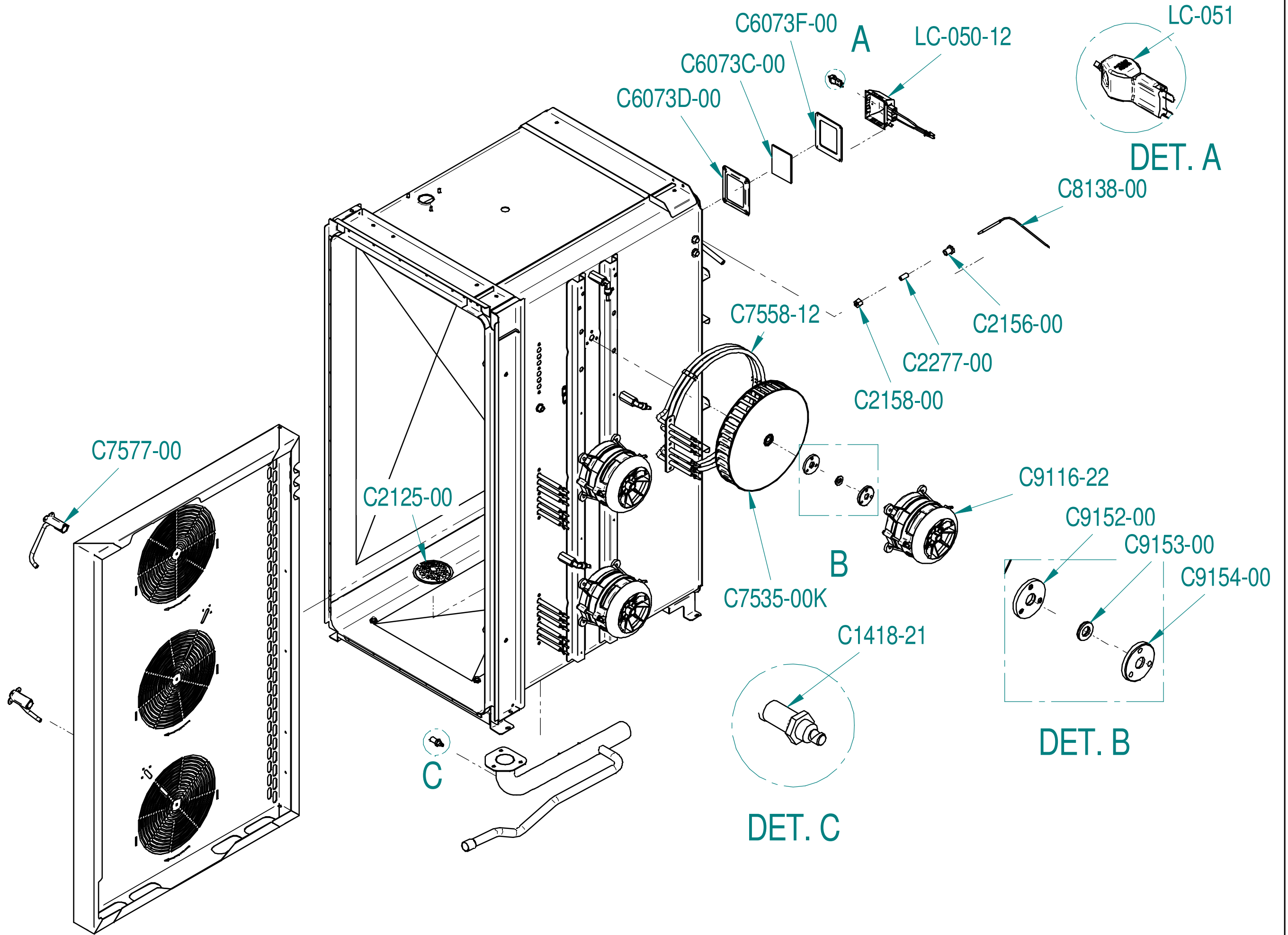
**Production code: P15 RDT-115E DR 12DI 25**

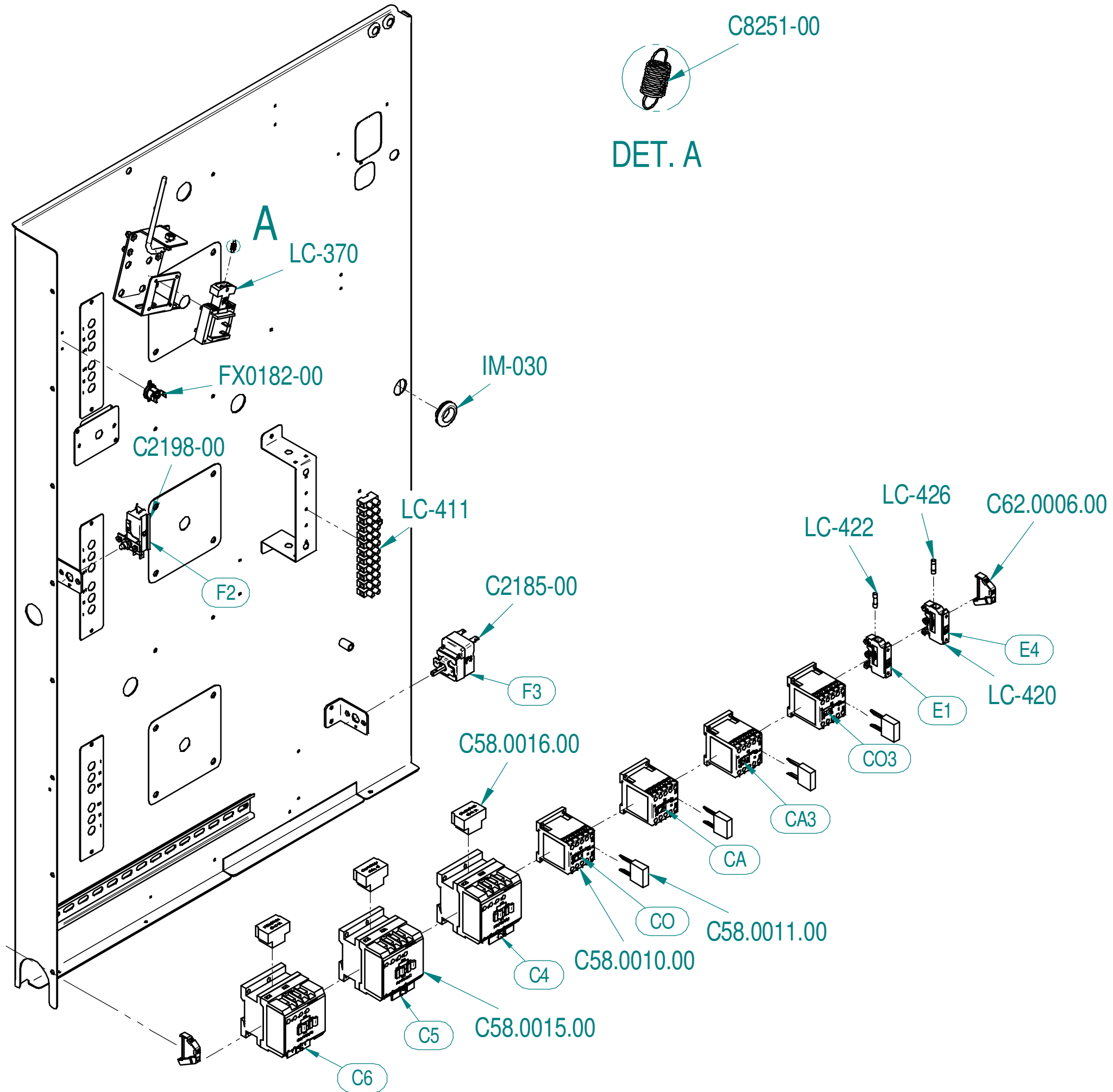


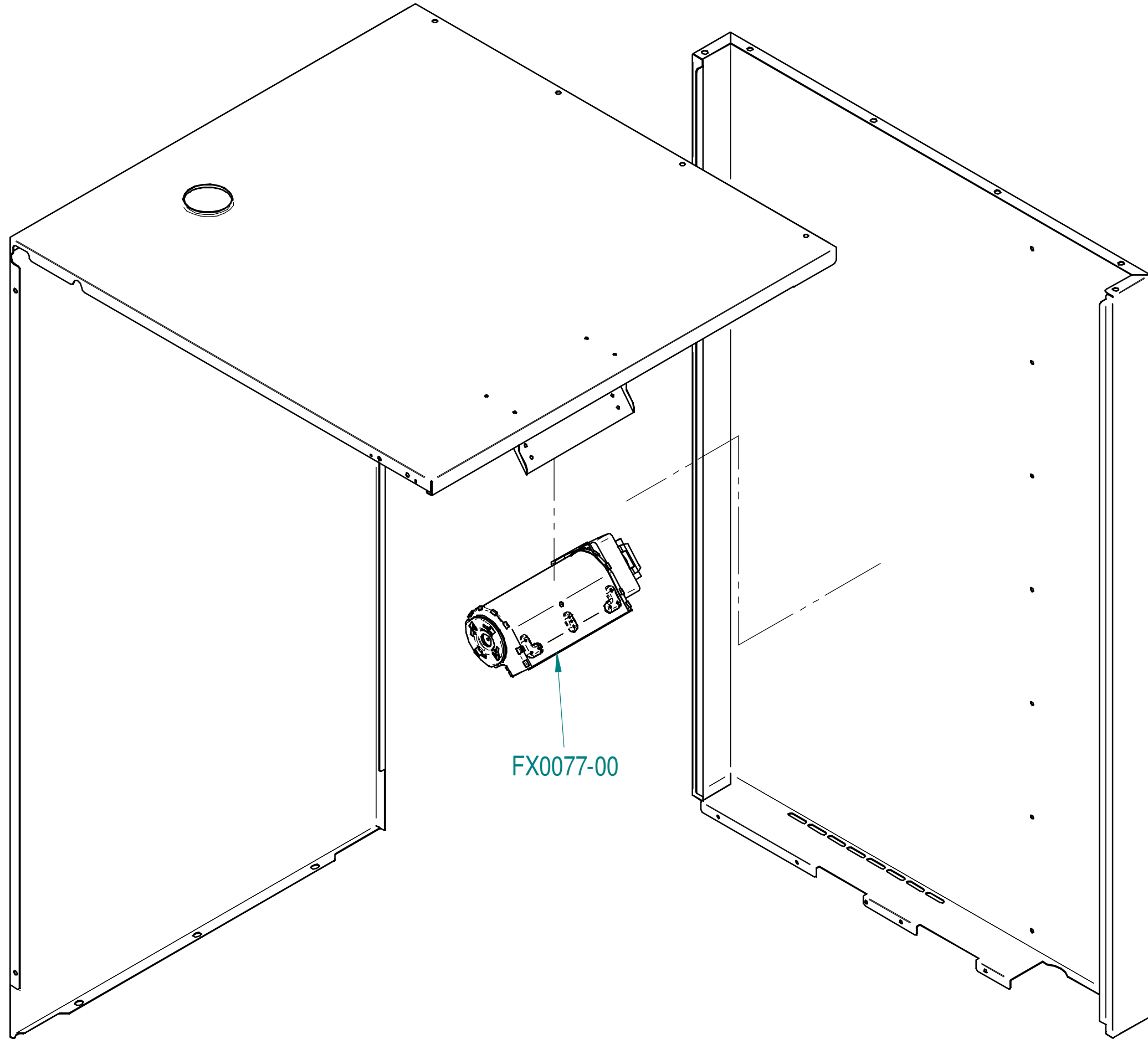












FX0077-00

