

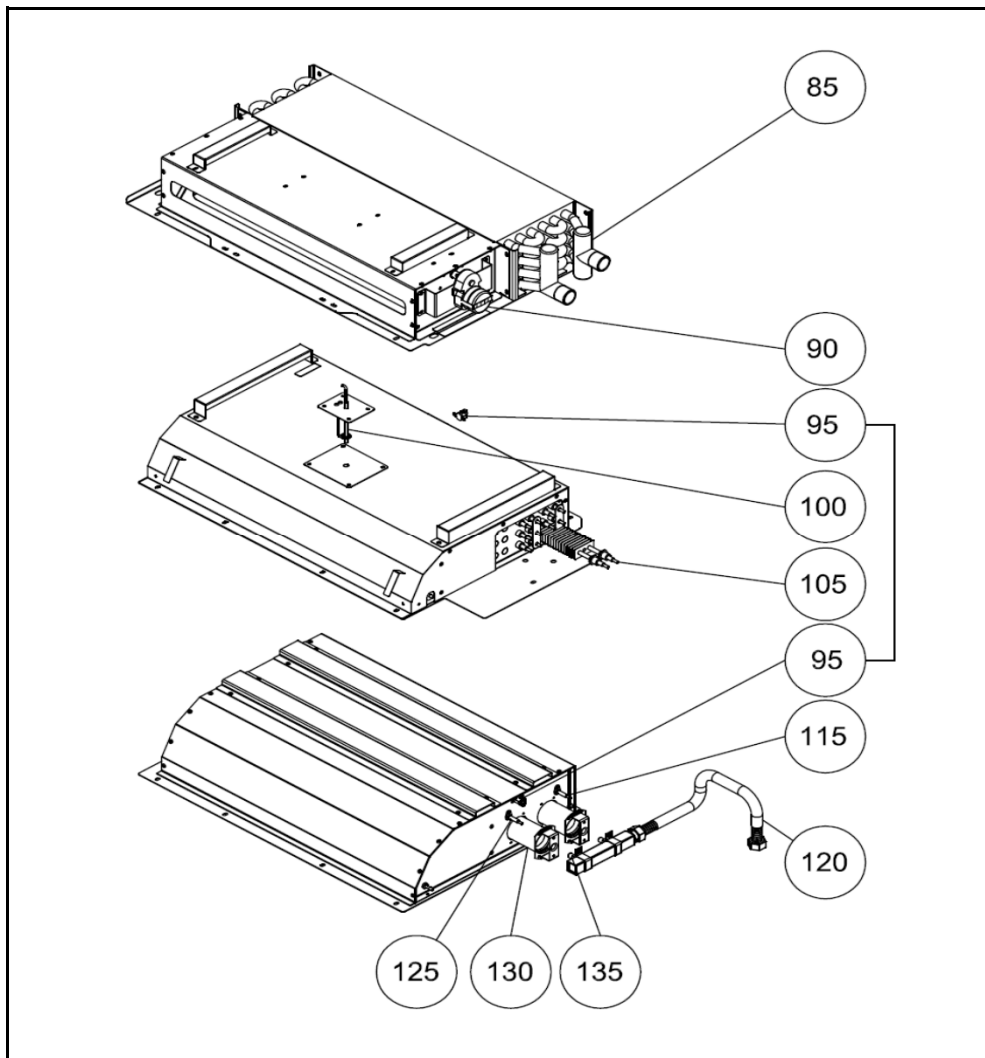
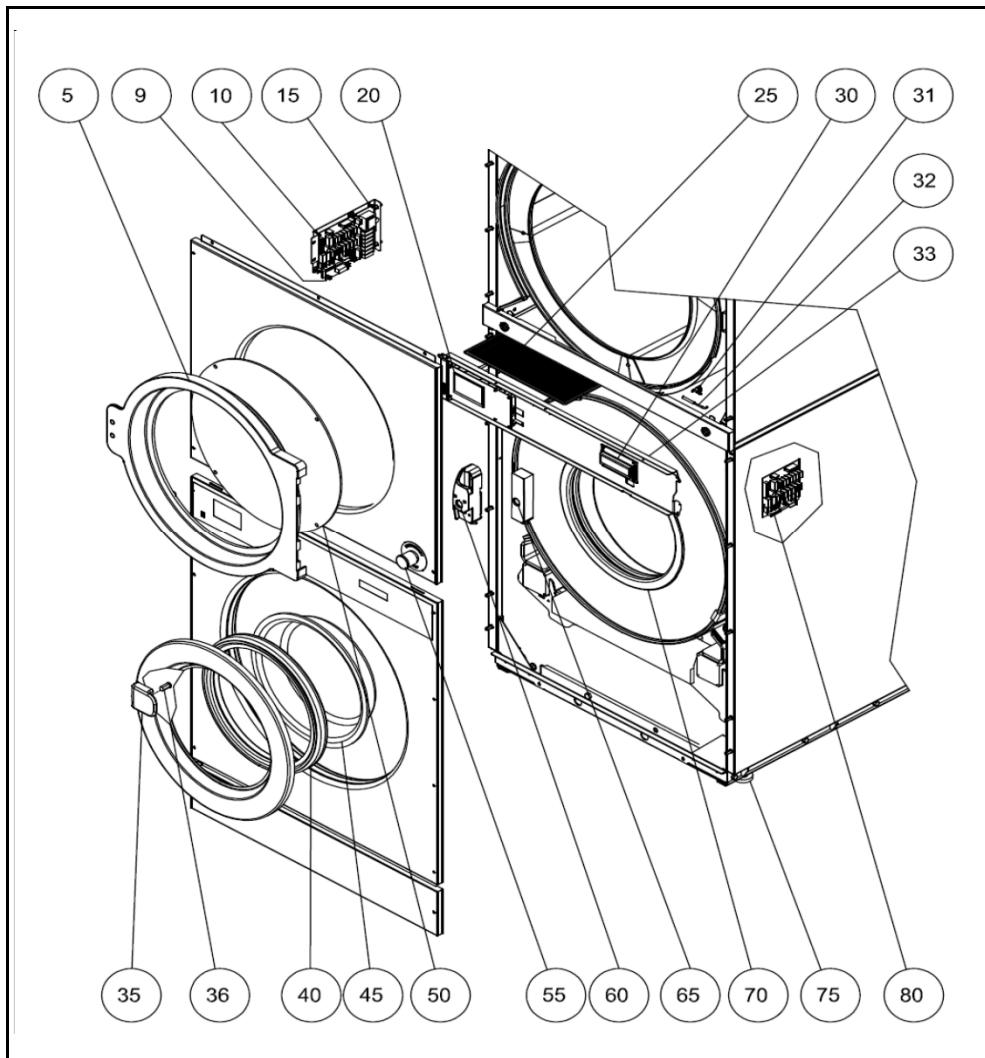
03/2017

Mod: DEES/14-TS

Production code: TDM 1414 (EL+EL) TOUCH



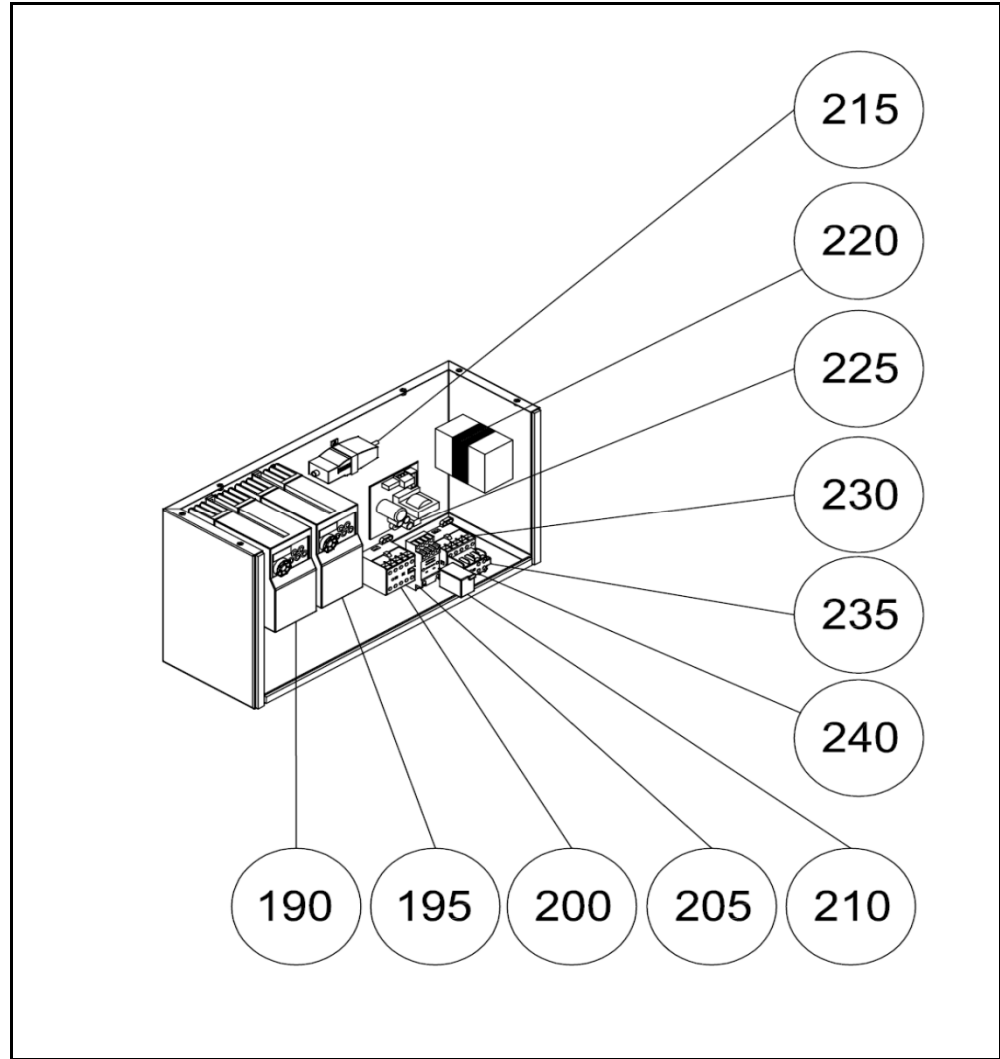
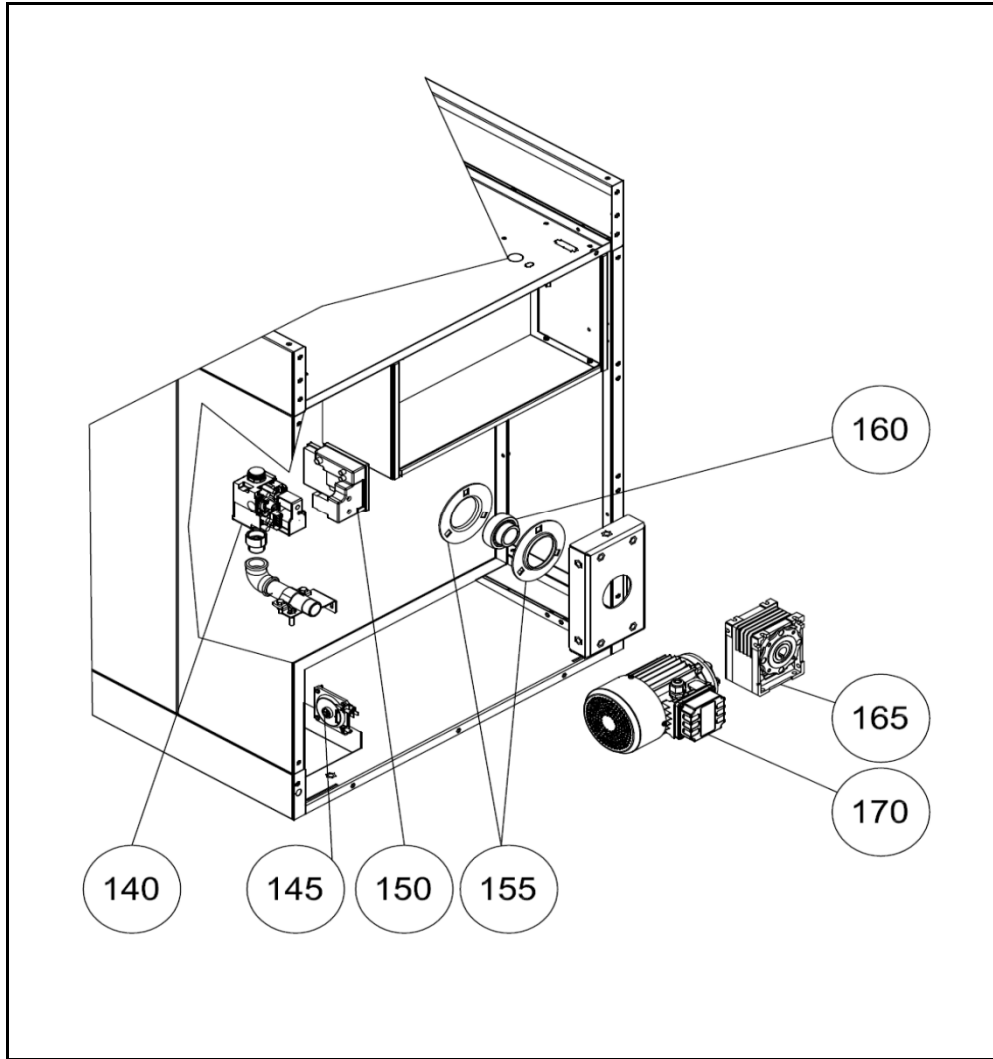
Diamond
catering equipment

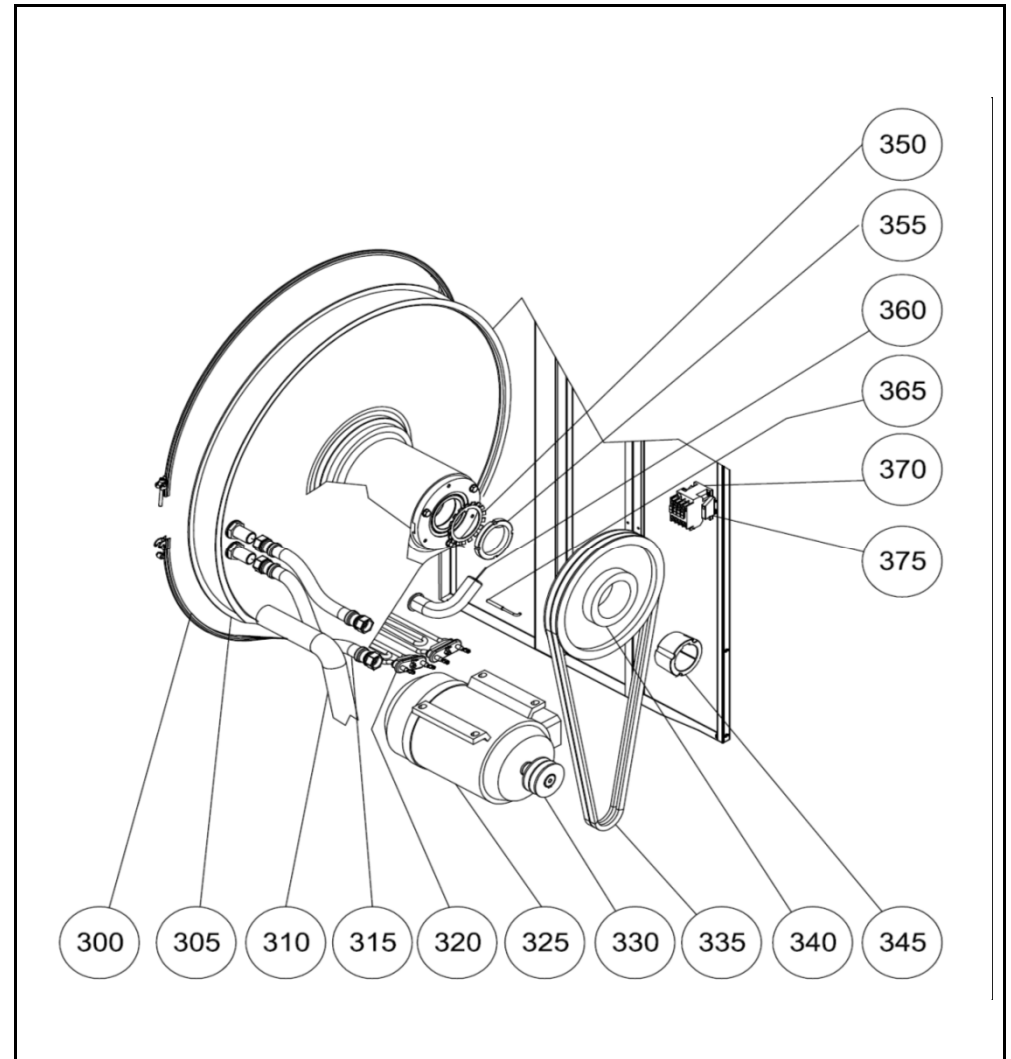
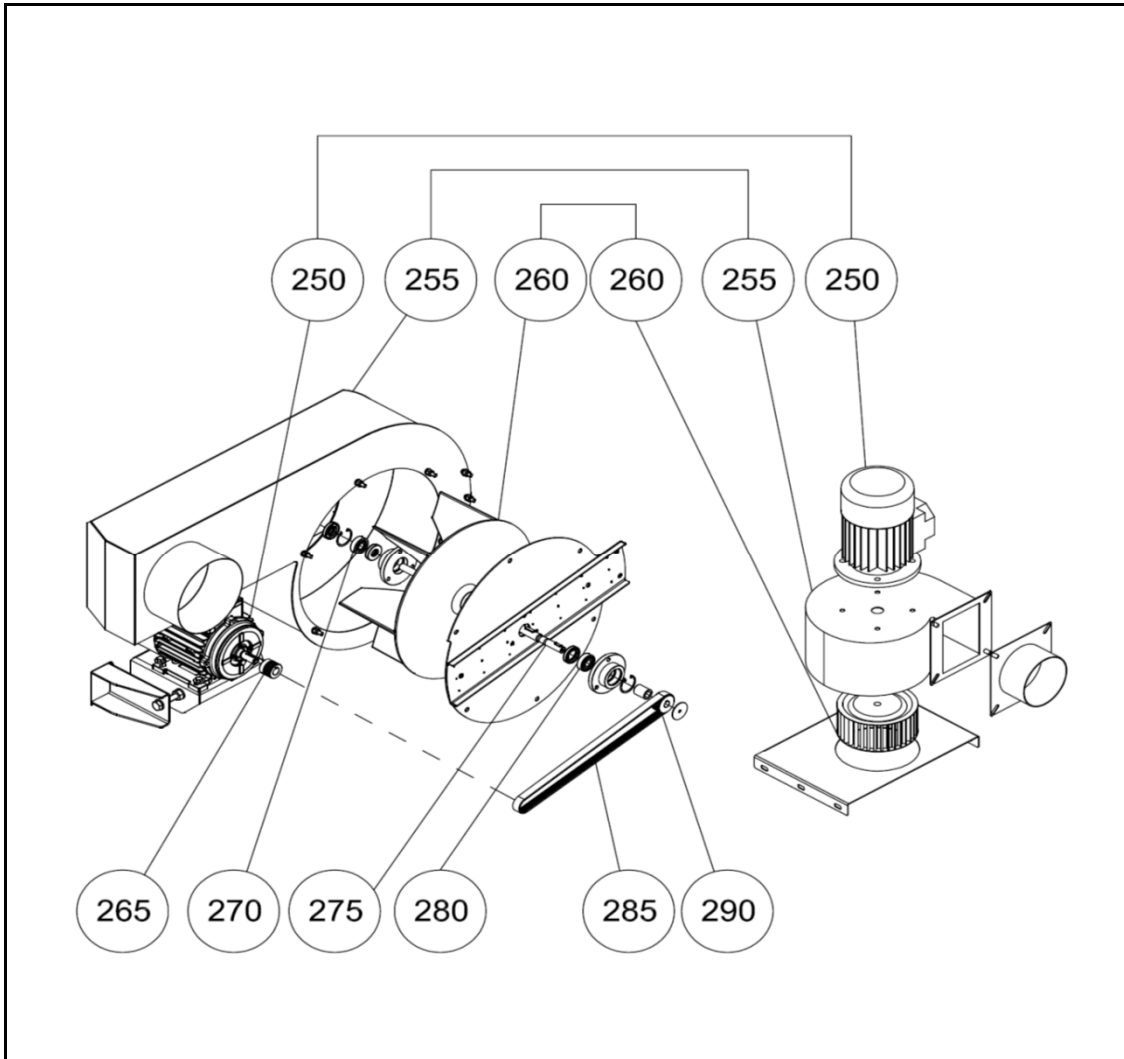


CAMPO AZZURRO = PERSONALIZZAZIONI
BLUE FIELD = CUSTOMIZATION

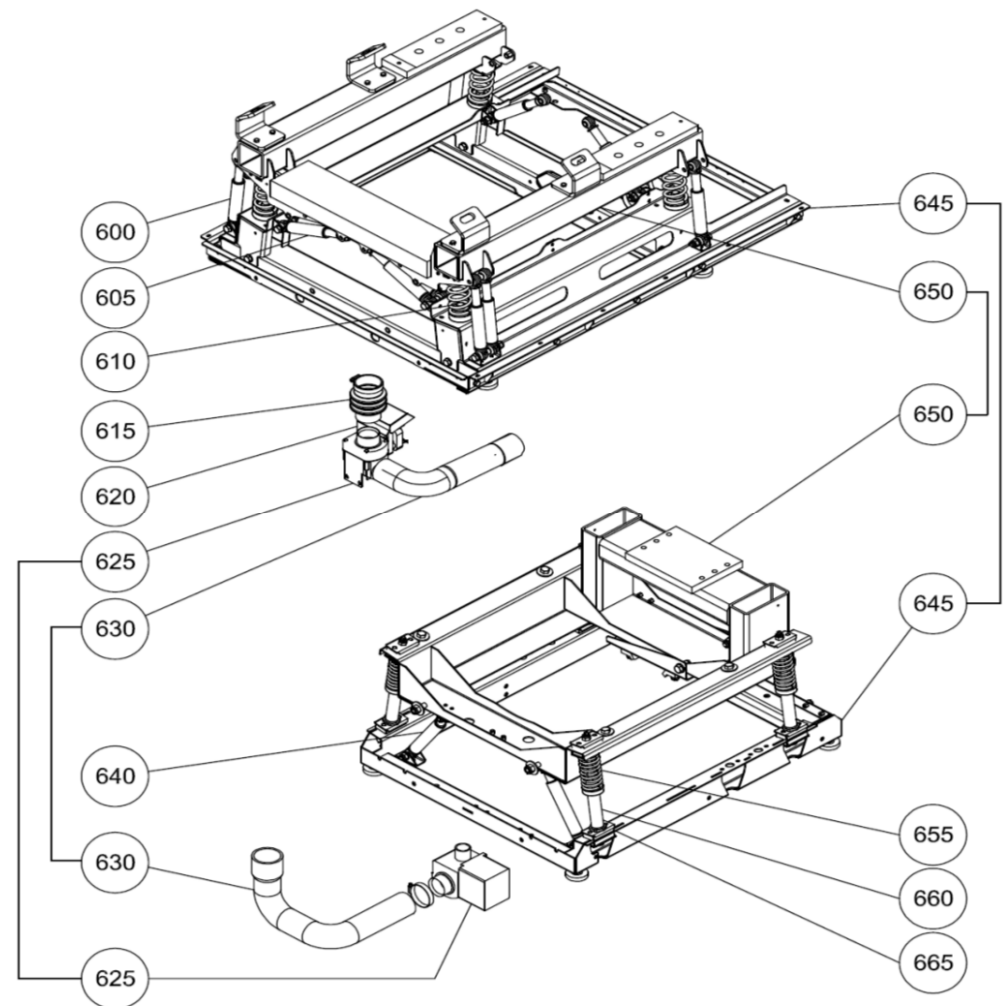
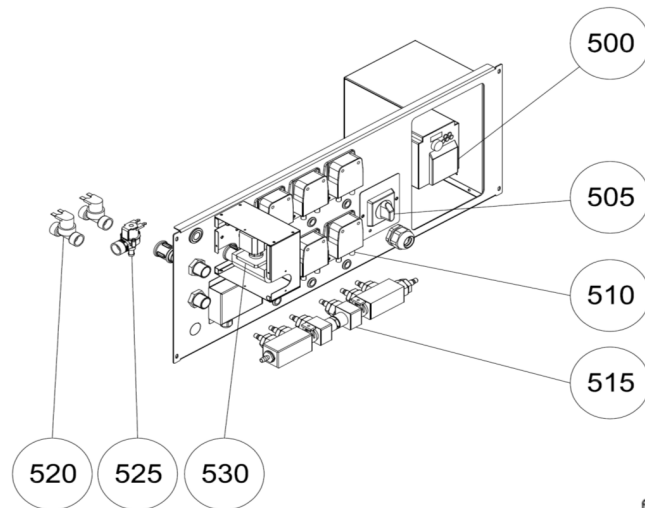
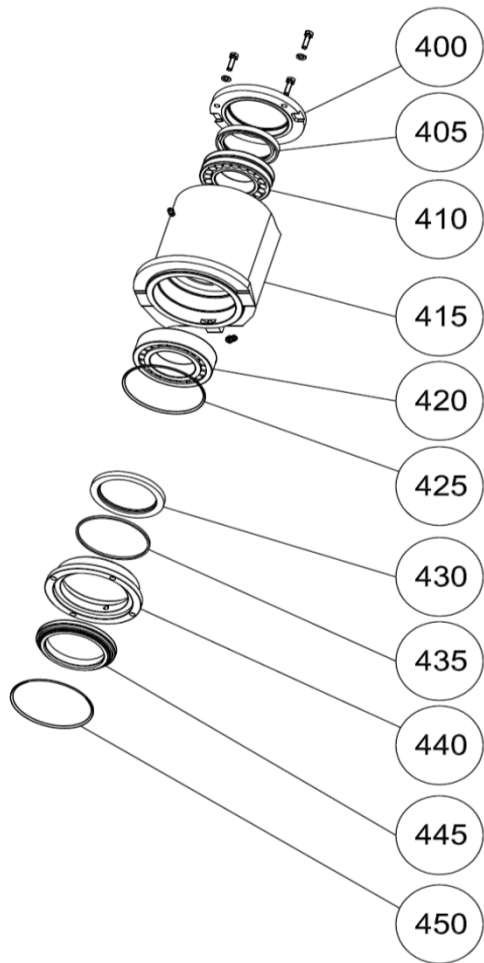
REV. 0 03/04/2015

DR.	rif.	ITALIANO	ENGLISH	INFO	TANDEM 6/8	TANDEM 6/11	TANDEM 8/8	TANDEM 8/11	TANDEM 11/11	TANDEM 14/14	TANDEM 14/18	TANDEM 18/18	
DISEGNO/DRAWING 1	5	OBLO ESSICCATOIO	TUMBLE DRYER DOOR	---	4140103A_01	4140103A_01	4140103A_01	4140103A_01	4140103A_01	4140103A_01	4140103A_01	4140103A_01	
	9	RELE' RS	RS RELAY	da/from T201412001	2952SCH16IM7	2952SCH16IM7	2952SCH16IM7	2952SCH16IM7	2952SCH16IM7	2952SCH16IM7	2952SCH16IM7	2952SCH16IM7	
	10	SCHEDA POTENZA IM8	IM8 POWER PRINT BOARD	---	2952POIM800P	2952POIM800P	2952POIM800P	2952POIM800P	2952POIM800P	2952POIM800P	2952POIM800P	2952POIM800P	
	15	SCHEDA 8 RELE'	8 RELE' PRINT BOARD	---	2952SCHRAPO6	2952SCHRAPO6	2952SCHRAPO6	2952SCHRAPO6	2952SCHRAPO6	2952SCHRAPO6	2952SCHRAPO6	2952SCHRAPO6	
	20	SCHEDA LOGICA IM8	IM8 LOGIC PRINT BOARD	---	2952LOGICIM8	2952LOGICIM8	2952LOGICIM8	2952LOGICIM8	2952LOGICIM8	2952LOGICIM8	2952LOGICIM8	2952LOGICIM8	
	25	FILTRO ESSICCATOIO	DRYER FILTER	---	2110809X	2110906X	2110809X	2110906X	2110906X	2100623A	2100446A	2100446A	
	30	DISPLAY ESSICCATOIO	DRYER DISPLAY	---	2950DISESIM7	2950DISESIM7	2950DISESIM7	2950DISESIM7	2950DISESIM7	2950DISESIM7	2950DISESIM7	2950DISESIM7	
	31	CLICSON	CLICSON	da/from T201407...	2950PASTA110	2950PASTA110	2950PASTA110	2950PASTA110	2950PASTA110	2950PASTA110	2950PASTA110	2950PASTA110	
	32	SONDA TEMPERATURA	TEMPERATURE PROBE	---	2950SENSOPT1	2950SENSOPT1	2950SENSOPT1	2950SENSOPT1	2950SENSOPT1	2950SENSOPT1	2950SENSOPT1	2950SENSOPT1	
	33	PROTEZIONE PLASTICA	PLASTIC PROTECTION	6/8/11: da/from T201409... 14/18: da/from T201406004	2140920X	2140920X	2140920X	2140920X	2140920X	2140920X	2140613X	2140613X	2140613X
	35	MANIGLIA OBLO'	DOOR HANDLE	---	no	no	no	no	no	no	4120612A_01	4120612A_01	4120612A_01
	36	CODOLO	PIN	---	1958PIOPO681	1958PIOPO681	1958PIOPO681	1958PIOPO681	1958PIOPO681	2120619A	2120619A	2120619A	
	40	GUARNIZIONE OBLO'	DOOR SEAL	---	4010902A	4010902A	4010902A	4010902A	4010902A	4010416X	4010416X	4010416X	
	45	VETRO OBLO' LAV.	WASH. DOOR GLASS	---	930104A	930104A	930104A	930104A	930104A	4070901A	4070901A	4070901A	
	50	VETRO OBLO' ESS.	DRYER DOOR GLASS	---	497810A	497810A	497810A	497810A	497810A	497810A	497810A	497810A	
	55	PULSANTE EMERGENZA	EMERGENCY BUTTON	non presente nelle macchine self service not present in self service machines	2950PULEM248	2950PULEM248	2950PULEM248	2950PULEM248	2950PULEM248	2950PULEM248	2950PULEM248	2950PULEM248	2950PULEM248
	60	COPRI CHIUSURA	LOCKING DEVICE COVER	---	no	no	no	no	no	no	4120610A_01	4120610A_01	4120610A_01
	65	CHIUSURA	LOCKING DEVICE	---	6101114X	6101114X	6101114X	6101114X	6101114X	6101114X	STORIA/HISTORY	STORIA/HISTORY	STORIA/HISTORY
	70	GUARNIZIONE GRIGIA	GREY SEAL	---	930908	930908	930908	930908	930908	no	no	no	
	75	PIEDINI	FEET	---	4 x 940538	4 x 940538	4 x 940538	4 x 940538	4 x 940538	4 x 940538	4 x 940538	4 x 940538	
80	SCHEDA RELE' ESSICCATOIO	DRYER PRINT BOARD	---	2952SCHEMIM7	2952SCHEMIM7	2952SCHEMIM7	2952SCHEMIM7	2952SCHEMIM7	2952SCHEMIM7	2952SCHEMIM7	c	2952SCHEMIM7	
DISEGNO/DRAWING 2	85	SCAMBIATORE ESS.	DRYER EXCHANGER	solo in essiccatoi con riscaldamento a vapore only steam heated dryers	4110202X	4110202X	4110202X	4110202X	4110202X	4110202X	4110203X	4110203X	
	90	MOTORINO DAMPER	DAMPER MOTOR	solo in essiccatoi con riscaldamento a vapore only steam heated dryers	2952MOTS3220	2952MOTS3220	2952MOTS3220	2952MOTS3220	2952MOTS3220	2952MOTS3220	2952MOTS3220	2952MOTS3220	
	95	CLICSON BATTERIA ELETTRICA O GAS ESS.	ELECTRIC OR GAS OVEN CLICSON	solo in essiccatoi con riscaldamento elettrico o gas only electric or gas heated dryers	2950PASTE155	2950PASTE155	2950PASTE155	2950PASTE155	2950PASTE155	2950PASTE155	2950PASTE155	2950PASTE155	
	100	SONDA TEMPERATURA	TEMPERATURE PROBE	solo in essiccatoi con optional "FN" only optional "FN" dryers	2950SENSOPT1	2950SENSOPT1	2950SENSOPT1	2950SENSOPT1	2950SENSOPT1	2950SENSOPT1	2950SENSOPT1	2950SENSOPT1	
	105	RESISTENZA BATTERIA ESS.	DRYER HEATING ELEMENT	solo in essiccatoi con riscaldamento elettrico only electric heated dryers	VEDI PAGINA MULTIPLA 1 SEE MULTIPLE PAGE 1								
	115	ACCENDITORE GAS	GAS LIGHTER	solo in essiccatoi con riscaldamento gas only gas heated dryers	2111187X	2111187X	2111187X	2111187X	2111187X	2110612X	2110612X	2110612X	
	120	TUBO GAS	GAS TUBE	solo in essiccatoi con riscaldamento gas only gas heated dryers	3101012A_11	3101012A_11	3101012A_11	3101012A_11	3101012A_11	3101012A_10	3101012A_09	3101012A_09	
	125	SENSORE FIAMMA	FLAME SENSOR	solo in essiccatoi con riscaldamento gas only gas heated dryers	2111188X	2111188X	2111188X	2111188X	2111188X	2110611X	2110611X	2110611X	
	130	BRUCIATORE	BURNER	solo in essiccatoi con riscaldamento gas only gas heated dryers	1 x 1970BRU40051	1 x 1970BRU40051	1 x 1970BRU40051	1 x 1970BRU40051	1 x 1970BRU40051	2 x 1970BRU60051	2 x 1970BRU60051	2 x 1970BRU60051	
135	UGELLO GAS	GAS NOZZLES	solo in essiccatoi con riscaldamento gas only gas heated dryers	VEDI PAGINA MULTIPLA 2 SEE MULTIPLE PAGE 2									





DISEGNO/DRAWING 3	140	VALVOLA GAS	GAS VALVE	solo in essiccatoi con riscaldamento gas only gas heated dryers	3970VA840016	3970VA840016	3970VA840016	3970VA840016	3970VA840016	3970VA840016	3970VA840016	3970VA840016
	145	PRESSOSTATO ARIA	AIR PRESSOSTAT	solo in essiccatoi con riscaldamento elettrico o gas only electric or gas heated dryers	2950PRES99879	2950PRES99879	2950PRES99879	2950PRES99879	2950PRES99879	2950PRES99879	2950PRES99879	2950PRES99879
	150	CENTRALINA GAS	GAS CONTROL DEVICE	solo in essiccatoi con riscaldamento gas only gas heated dryers	3970ACCEN414	3970ACCEN414	3970ACCEN414	3970ACCEN414	3970ACCEN414	3970ACCEN414	3970ACCEN414	3970ACCEN414
	155	FLANGE CUSCINETTO	BEARING FLANGE	---	2 x 1937FLAXPF62	2 x 1937FLAXPF62	2 x 1937FLAXPF62	2 x 1937FLAXPF62	2 x 1937FLAXPF62	2 x 1937FLAXPF62	2 x 1937FLAXPF62	2 x 1937FLAXPF62
	160	CUSCINETTO ESS.	DRYER BEARING	---	1937CUSYA206	1937CUSYA206	1937CUSYA206	1937CUSYA206	1937CUSYA206	1937CUSYA207	1937CUSYA207	1937CUSYA207
	165	RIDUTTORE CESTO ESS.	DRYER DRUM GEAR	---	2955RNMRV150	2955RNMRV150	2955RNMRV150	2955RNMRV150	2955RNMRV150	2955RNMRV130	2955RNMRV130	2955RNMRV130
	170	MOTORE CESTO ESS.	DRYER DRUM MOTOR	---	2955MOTM63A2	2955MOTM63A2	2955MOTM63A2	2955MOTM63A2	2955MOTM63A2	2955MOTM63C2	2955MOTM63C2	2955MOTM63C2
DISEGNO/DRAWING 4	193	INVERTER MO	MO INVERTER	---	VEDI PAGINA MULTIPLA 3 SEE MULTIPLE PAGE 3							
	195	INVERTER VE	VE INVERTER	solo in essiccatoi con inverter ventola only in fan inverter machines	VEDI PAGINA MULTIPLA 4 SEE MULTIPLE PAGE 4							
	200	TELERUTTORE SV	SV REMOTE SWITCH	---								
	205	ZOCOLO RELE' R6	R6 RELAY BASE	da/from T201407...	2950ZOCES154	2950ZOCES154	2950ZOCES154	2950ZOCES154	2950ZOCES154	2950ZOCES154	2950ZOCES154	2950ZOCES154
	210	RELE' R6	R6 RELAY	da/from T201407...	2950RELMIZG4	2950RELMIZG4	2950RELMIZG4	2950RELMIZG4	2950RELMIZG4	2950RELMIZG4	2950RELMIZG4	2950RELMIZG4
	215	MODULO GSM	GSM MODULE	---	2950GSMTCQUA	2950GSMTCQUA	2950GSMTCQUA	2950GSMTCQUA	2950GSMTCQUA	2950GSMTCQUA	2950GSMTCQUA	2950GSMTCQUA
	220	TRASFORMATORE	TRANSFORMER	---	VEDI PAGINA MULTIPLA 5 SEE MULTIPLE PAGE 5							
	225	ALIMENTATORE 12VDC	VOLTAGE SUPPLY 12VDC	---	2950AL1203IME	2950AL1203IME	2950AL1203IME	2950AL1203IME	2950AL1203IME	2950AL1203IME	2950AL1203IME	2950AL1203IME
	230	TELERUTTORE VE	REMOTE SWITCH VE	---	2950MINMO408	2950MINMO408	2950MINMO408	2950MINMO408	2950MINMO408	2950MINMO408	2950MINMO408	2950MINMO408
	235	RELE' TERMICO RMVE	RMVE THERMAL RELAY	---	VEDI PAGINA MULTIPLA 6 SEE MULTIPLE PAGE 6							
240	AUX SVVE CA	AUX SVVE CA	solo in essiccatoi con inverter ventola only in fan inverter machines	2950CONEL954	2950CONEL954	2950CONEL954	2950CONEL954	2950CONEL954	2950CONEL954	2950CONEL954	2950CONEL954	
DISEGNO/DRAWING 5	250	MOTORE VENTOLA	FAN MOTOR	---						2955MG71MESS	2955MG71MESS	2955MG71MESS
	255	COCLEA	COCHLEA	---	1732VENTA3CA					2050539A	2050539A	2050539A
	260	VENTOLA	FAN	---						4010701X	4010701X	4010701X
	265	PULEGGIA	PULLEY	---	no					2100474X	2100474X	2100474X
	270	CUSCINETTO	BEARING	---	no					1937C1201ETN9	1937C1201ETN9	1937C1201ETN9
	275	ALBERO	SHAFT	---	no					2100804A	2100804A	2100804A
	280	CUSCINETTO	BEARING	---	no					1937C62012Z	1937C62012Z	1937C62012Z
	285	CINGHIA	BELT	---	no					3939CP0762J6	3939CP0762J6	3939CP0762J6
	290	PULEGGIA	PULLEY	---	no					2100473X	2100473X	2100473X
	DISEGNO/DRAWING 6	300	CRAVATTA	TIE	6/8/11: da/from T201406... 14/18: da/from T201302...	2 x 4130202X	2 x 4130202X	2 x 4130202X	2 x 4130202X	2 x 4130202X	2 x 4120601X	2 x 4120601X
305		GUARNIZIONE	SEAL	6/8/11: da/from T201406... 14/18: da/from T201302...	3940PREPDM21	3940PREPDM21	3940PREPDM21	3940PREPDM21	3940PREPDM21	3940PREPDM21	3940PREPDM21	3940PREPDM21
310		TROPPO PIENO	TOO FILL	---	4120501C_02	4120501C_02	4120501C_02	4120501C_02	4120501C_02	4120501C_04	4120501C_01	4120501C_04
315		TUBI ACQUA	WATER HOSES	---	2 x 4010502X	2 x 4010502X	2 x 4010502X	2 x 4010502X	2 x 4010502X	2 x 4100401X	2 x 4100401X	2 x 4010502X
320		RESISTENZE LAVATRICE	WASHING MACHINE HEATING ELEMENTS	---	VEDI PAGINA MULTIPLA 7 SEE MULTIPLE PAGE 7							
320		TAPPI RESISTENZE	CAPS	solo in lavatrici con riscaldamento vapore o hot water only in steam heated or hot water washing machines	3 X 1960TAPRE	3 X 1960TAPRE	3 X 1960TAPRE	3 X 1960TAPRE	3 X 1960TAPRE	3 X 1960TAPRE	3 X 1960TAPRE	3 X 1960TAPRE
325		MOTORE LAVATRICE	WASHING MACHINE MOTOR	---	2955MBS90LM6	2955MBS90LM6	2955MBS90015	2955MBS90015	2955MBS90015	2955MBS10035	2955MBS10035	2955MBS10035
330		PULEGGIA MOTORE LAVATRICE	WASHING MACHINE MOTOR PULLEY	---	2070924A	2070924A	2070924A	2070924A	2070924A	2070925A	2070925A	2070925A
335		CINGHIA LAVATRICE	WASHING MACHINE BELT	---	2 x 3939CTIC1482	2 x 3939CTIC1482	2 x 3939CTIC1482	2 x 3939CTIC1482	2 x 3939CTIC1482	2 x 3939SPAX1682	2 x 3939SPAX1682	2 x 3939SPAX1682
340		PULEGGIA CESTO LAVATRICE	WASHING MACHINE DRUM PULLEY	---	1987P2802	1987P2802	1987P2802	1987P2802	1987P2802	1987P2802	1987P2802	1987P2802
345	CALETTATORE PULEGGIA CESTO LAVATRICE	WASHING MACHINE DRUM PULLEY TAPER	---	1987BTB38517	1987BTB38517	1987BTB38517	1987BTB38517	1987BTB38517	1987BTB60517	1987BTB60517	1987BTB60517	



DISEGNO/DRAWING 7	350	ROSETTA	ROSETTA	---	no	no	no	no	no	4939RONAMB14	4939RONAMB14	4939RONAMB14
	355	GHIERA	NUT	---	no	no	no	no	no	4939GHNAKM14	4939GHNAKM14	4939GHNAKM14
	360	CAMERA COMPRESSIONE	AIR TRAP	---	4010505X	4010505X	4010505X	4010505X	4010505X	4010505X	4010505X	4010505X
	365	SONDA TEMPERATURA	TEMPERATURE PROBE	---	2950SENSOPT1	2950SENSOPT1	2950SENSOPT1	2950SENSOPT1	2950SENSOPT1	2950SENSOPT1	2950SENSOPT1	2950SENSOPT1
	370	TELERUTTORE RESISTENZE	HEATING ELEMENT REMOTE SWITCH	---	VEDI PAGINA MULTIPLA 8 SEE MULTIPLE PAGE 8							
375	CONTATTO AUX	AUX CONTACT	da/from T201412001	VEDI PAGINA MULTIPLA 8 SEE MULTIPLE PAGE 8								
DISEGNO/DRAWING 7	400	FLANGIA	FLANGE	---	2061106X	2061106X	2061106X	2061106X	2061106X	2010103X	2010103X	2010103X
	405	TENUTA	SEAL	---	no	no	no	no	no	3940AT81112	3940AT81112	3940AT81112
	410	CUSCINETTO POSTERIORE	BACK BEARING	---	1937C62082RS	1937C62082RS	1937C62082RS	1937C62082RS	1937C62082RS	1937CU22214E	1937CU22214E	1937CU22214E
	415	MOZZO	BEARING HOUSE	---	2061104A	2061104A	2061104A	2061104A	2061104A	2040158B	2040158B	2040158B
	420	CUSCINETTO ANTERIORE	FRONTAL BEARING	---	1937NU209ECP	1937NU209ECP	1937NU209ECP	1937NU209ECP	1937NU209ECP	1937CNU2216L	1937CNU2216L	1937CNU2216L
	425	O'RING	O'RING	---	3940ANOR0943	3940ANOR0943	3940ANOR0943	3940ANOR0943	3940ANOR0943	3940ANOR1403	3940ANOR1403	3940ANOR1403
	430	TENUTA	SEAL	---	3940AT588008	3940AT588008	3940AT588008	3940AT588008	3940AT588008	3940AT101310	3940AT101310	3940AT101310
	435	DISTANZIALE	SPACER	---	no	no	no	no	no	2040107X	2040107X	2040107X
	440	FLANGIA	FLANGE	---	2061105X	2061105X	2061105X	2061105X	2061105X	2040157A	2040157A	2040157A
	445	TENUTA	SEAL	---	3940TE088058	3940TE088058	3940TE088058	3940TE088058	3940TE088058	3940TE140100	3940TE140100	3940TE140100
450	O'RING	O'RING	---	3940ANEORING	3940ANEORING	3940ANEORING	3940ANEORING	3940ANEORING	no	no	no	
DISEGNO/DRAWING 8	500	INVERTER LAVATRICE	WASHING MACHINE INVERTER	---	VEDI PAGINA MULTIPLA 9 SEE MULTIPLE PAGE 9							
	505	SEZIONATORE	MAIN SWITCH	---	VEDI PAGINA MULTIPLA 10 SEE MULTIPLE PAGE 10							
	510	POMPA PERISTALTICA	PERISTALTIC PUMP	---	4 x 2950POMSG18T	4 x 2950POMSG18T	4 x 2950POMSG18T	4 x 2950POMSG18T	4 x 2950POMSG18T	4 x 2950POMSG18T	4 x 2950POMSG18T	4 x 2950POMSG18T
	515	COLLETTORE DETERSIVI	DETERGENT MANIFOLD	---	2950COFLU41B	2950COFLU41B	2950COFLU41B	2950COFLU41B	2950COFLU41B	2950COFLU41B	2950COFLU41B	2950COFLU41B
	520	VALVOLA ACQUA	WATER VALVE	---	2 x 2953EA6115NC	2 x 2953EA6115NC	2 x 2953EA6115NC	2 x 2953EA6115NC	2 x 2953EA6115NC	2 x 2953EA6115NC	2 x 2953EA6115NC	2 x 2953EA6115NC
	525	VALVOLA FLUSH	FLUSH VALVE	---	1 x 2953EA151001	1 x 2953EA151001	1 x 2953EA151001	1 x 2953EA151001	1 x 2953EA151001	1 x 2953EA151001	1 x 2953EA151001	1 x 2953EA151001
530	VALVOLA VAPORE	STEAM VALVE	solo in lavatrici con riscaldamento vapore only in steam heated washing machines	2950ES340NCV	2950ES340NCV	2950ES340NCV	2950ES340NCV	2950ES340NCV	2950ES340NCV	2950ES340NCV	2950ES340NCV	
DISEGNO/DRAWING 9	600	MOLLA A GAS	GAS SPRING	---	no	no	no	no	no	6 x 3939AMMSU250	6 x 3939AMMSU250	6 x 3939AMMSU250
	605	MOLLA A GAS	GAS SPRING	---	no	no	no	no	no	6 x 3939AMMSU160	6 x 3939AMMSU160	6 x 3939AMMSU160
	610	MOLLA	SPRING	---	no	no	no	no	no	4 x 1985MO755130	4 x 1985MO755130	4 x 1985MO755130
	615	SOFFIETTO	BELLOW	---	no	no	no	no	no	4101201A	4101201A	4101201A
	620	PROTEZIONE VALVOLA	DRAIN VALVE PROTECTION	---	no	no	no	no	no	2140605X	2140605X	2140605X
	625	VALVOLA DI SCARICO	DRAIN VALVE	---	2754DODNO222	2754DODNO222	2754DODNO222	2754DODNO222	2754DODNO222	2754DODNO229	2754DODNO229	2754DODNO229
	630	TUBO SCARICO	DRAIN HOSE	---	950610X	950610X	950610X	950610X	950610X	4110703X	4110703X	4110702X
	640	MOLLA A GAS	GAS SPRING	---	2 x 3939AMMSUTYP	2 x 3939AMMSUTYP	2 x 3939AMMSUTYP	2 x 3939AMMSUTYP	2 x 3939AMMSUTYP	no	no	no
	645	BASAMENTO	BASEMENT	verniciatura/painted	2120309X	2020120X	2020119X	2110935X	2020120X	1100606X	1100401X	1100706X
	650	CULLA	CRADLE	---	2020112B	2020112B	2020113B	2020113B	2020114B	2140216X	2140216X	2140215X
	655	MOLLA	SPRING	---	4 x 1985MOL55130	4 x 1985MOL55130	4 x 1985MOL55130	4 x 1985MOL55130	4 x 1985MOL55130	no	no	no
660	STELO MOLLA GAS	GAS SPRING STEM	---	4 x 3939AMMSUL48	4 x 3939AMMSUL48	4 x 3939AMMSUL48	4 x 3939AMMSUL48	4 x 3939AMMSUL48	no	no	no	
665	GOMMINO	RUBBER	---	16 x 3939GOANAL48	16 x 3939GOANAL48	16 x 3939GOANAL48	16 x 3939GOANAL48	16 x 3939GOANAL48	no	no	no	

HOME		TENSIONI / VOLTAGES							
RESISTENZE BATTERIA ESSICCATOIO DRYER OVEN HEATING ELEMENTS		D	B, I	C, F, M, N	A, G, H, L, O, P, R, S	E	Q		
TAGLIA ESSICCATOIO TUMBLE DRYER SIZE	TIPO / TYPE	3ph 115V	1ph 230V	3ph 230V	3ph 400V	3ph 440V	3ph 480V		
08	STANDARD	---	9 x 2851REST2101				---		
11	STANDARD		9 x 2851REST2150						
14	STANDARD		9 x 2851REST2150						
18	STANDARD		9 x 2851REST2200						
08	opt. "FN"		6 x 2851REST2101						
14	ELETTRICO + VAPORE ELECTRIC + STEAM		3 x 2851REST2150						
18	opt. "FN"		6 x 2851REST2100						

HOME		GAS			
UGELLI / NOZZLES		Ax	Fx	Bx, Cx	Ex, Px, Dx, Nx
TAGLIA ESSICCATOIO TUMBLE DRYER SIZE	TIPO / TYPE	G20 2E, 2H	G20 2E+	G25 2ELL	G30 3+, 3B/P
08	STANDARD	1 x 1970UGEAL240	---	1 x 1970UGEAL270	1 x 1970UGEAL150
11	STANDARD	1 x 1970UGEAL280	1 x 1970UGEAL245	1 x 1970UGEAL320	1 x 1970UGEAL165
14	STANDARD	2 x 1970UGEAL220	2 x 1970UGEAL190	2 x 1970UGEAL255	2 x 1970UGEAL125
18	STANDARD	2 x 1970UGEAL260	2 x 1970UGEAL220	2 x 1970UGEAL290	2 x 1970UGEAL150

HOME		TENSIONI / VOLTAGES					
INVERTER MOTORE CESTO ESS DRYER INVERTER MOTOR		D	B, I	C, F, M, N	A, L, O, P	G, H, R, S, E	Q
TAGLIA ESSICCATOIO TUMBLE DRYER SIZE	TIPO / TYPE	3ph 115V	1ph 230V	3ph 230V	3ph 400V+N	3ph 400V 3ph 440V	3ph 480V
08	STANDARD	---	2955FRD72S002K			2955FRD74T012A	---
11	STANDARD						
14	STANDARD	2955FRD72S004K			---	---	
18	STANDARD						

HOME	TENSIONI / VOLTAGES					
RELE' TERMICO RMVE RMVE THERMAL RELAY	D	B, I	C, F, M, N	A, G, H, L, O, P, R, S	E	Q
TAGLIA ESSICCATOIO TUMBLE DRYER SIZE	3ph 115V	1ph 230V	3ph 230V	3ph 400V	3ph 440V	3ph 480V
08	---	---	---	2950RETT160V74		---
11	---	---	---			---
14	---	---	---	2950RETT161V3	---	---
18	---	---	---		---	---

HOME	TENSIONI / VOLTAGES			
RESISTENZE LAVATRICE WASHING MACHINE HEATING ELEMENTS	A, B, C, F, G, H, I, L, M, N, O, P, R, S	D	E	Q
TAGLIA LAVATRICE WASHING MACHINE SIZE				
06	3 x 2950RFI20220	3 x 2950RE200115	3 x 2950RE200254	---
08	3 x 2950RFI20220	3 x 2950RFI200115	3 x 2950RE200254	---
11	3 x 2950RFI30220	---	3 x 2950RESIN254	3 x 2950RESIN277
14	3 x 2950RFI30220	---	3 x 2950RESIN254	3 x 2950RESIN277
18	3 x 2950RFI40220	3 x 2950RFI32115	3 x 2950RF400254	3 x 2950RF400254

HOME	TENSIONI / VOLTAGES				
<p>TELERUTTORE RESISTENZE LAVATRICE WASHING MACHINE HEATING ELEMENT REMOTE SWITCH</p> <p>CONTATTO AUSILIARE AUXILIARY CONTACT</p>	3ph 115V	1ph 230V	3ph 230V	3ph 400V	3ph 480V
<p>TAGLIA LAVATRICE WASHING MACHINE SIZE</p>	D	B, I	C, F, M, N	A, E, G, H, L O, P, R, S	
<p>06, 08</p>	2950CONEAF26 no aux	2950CONEAF26 no aux	2950CONEAF26 no aux	2950CONEAS09 no aux	2950CONEAS09 no aux
<p>11, 14</p>	2950CONEN163 no aux	2950CONEAF30 2950CONAU401	2950CONEAF26 no aux	2950CONEAS09 no aux	2950CONEAS09 no aux
<p>18</p>	2950CONEN163 no aux	2950CONEN183 no aux	2950CONEAF26 no aux	2950CONEAF16 no aux	2950CONEAF16 no aux

HOME	TENSIONI / VOLTAGES			
INVERTER LAVATRICE WASHING MACHINE INVERTER	1ph 230V	3ph 230V	3ph 400V + N	3ph 400V
TAGLIA LAVATRICE WASHING MACHINE SIZE	B, I	C, F, M, N	A, L, O, P	E, G, H, R, S
06	2955FRD72S070A	2955FRD72S070A	2955FRD72S070A	2955FRD74T036A
08	2955FRD72S070A	2955FRD72S070A	2955FRD72S070A	2955FRD74T036A
11	2955FRD72S070A	2955FRD72S070A	2955FRD72S070A	2955FRD74T036A
14	2955FRD72S100A	2955FRD72T037K	2955FRD74T080A	2955FRD74T080A
18	2955FRD72T055K	2955FRD72T037K	2955FRD74T080A	2955FRD74T080A

[HOME](#)

		TENSIONI / VOLTAGES				
		3ph 115V	1ph 230V	3ph 230V	3ph 400V	3ph 480V
SEZIONATORE MAIN SWITCH		D	B, I	C, F, M, N	A, E, G, H, L O, P, R, S	Q
TANDEM 08/08	LAVATRICE ELETTRICA ESSICCATOIO ELETTRICO				2950SEZ40810	
TANDEM 08/11	LAVATRICE ELETTRICA ESSICCATOIO ELETTRICO					
TANDEM 11/11	LAVATRICE ELETTRICA ESSICCATOIO GAS		---		2950SEZ25802	
TANDEM 11/11	LAVATRICE ELETTRICA ESSICCATOIO ELETTRICO				2950SEZ40810	
TANDEM 06/08, 06/11 08/08, 08/11 11/11	LAVATRICE HW ESSICCATOIO GAS		2950SEZ16794		2950SEZ16794	
TANDEM 06/08, 06/11 08/08, 08/11 11/11	LAVATRICE HW ESSICCATOIO ELETTRICO	---		---		---
TANDEM 14/14 HORECA	LAVATRICE ELETTRICA ESSICCATOIO ELETTRICO In=40A					
TANDEM 14/18 LAUNDRY	LAVATRICE ELETTRICA ESSICCATOIO ELETTRICO		---		2950SEZ40810	
TANDEM 18/18 HORECA	LAVATRICE ELETTRICA ESSICCATOIO ELETTRICO					
TANDEM 14/14 14/18 18/18	LAVATRICE HW ESSICCATOIO GAS		2950SEZ16794		2950SEZ16794	
TANDEM 14/14 14/18 18/18	LAVATRICE HW ESSICCATOIO ELETTRICO		---			
TANDEM 14/14 14/18 18/18	LAVATRICE ELETTRICA ESSICCATOIO GAS		2950SEZ40810		2950SEZ40810	

[HOME](#)

ELEMENTI NON INTERCAMBIABILI
NOT INTERCHANGEABLE ITEMS

rif.	ITALIANO	INGLESE	da/from	a/to	TANDEM 6/8	TANDEM 6/11	TANDEM 8/8	TANDEM 8/11	TANDEM 11/11	TANDEM 14/14	TANDEM 14/18	TANDEM 18/18
65	CHIUSURA	LOCKING DEVICE	T201008001	T201211...	---	---	---	---	---	6100601X	6100601X	6100601X
			T201212...	oggi/today	---	---	---	---	---	1958BLOPOMO2	1958BLOPOMO2	1958BLOPOMO2