

05/2012

Mod: DEES/14

Production code: TDM 1414 (EL+EL)



Diamond
laundry equipment

High spin washing machine

Technical data

Capacity	14	kg
Drum diameter	700	mm
Drum depth	365	mm
Drum volume	140	l
Load diameter	380	mm
Wash speed	40	rpm
Low speed	500	rpm
High spin speed	946	rpm
G Factor	350	

Water consumpt

Total consumption*	234	litri
Low level	52	litri 5 cm
High level	59	litri 8 cm

Steam heating

Steam consumption*	9	kg
Max pressure**	4,5	bar

* Cycle B - ISO 9398

** Optional 10 bar

Power and absorptions

Heating	Heating element	4ph 400V+N	3ph 230V	1ph 230V	Total power	Consumption
Elettrico	3x2000 w	12 A	21 A	32 A	8,5 kW	6 kWh
Elettrico	3x3000 w	17 A	26 A	43 A	11 kW	6 kWh
Elettrico	3x4000 w	21 A	37 A	65 A	14,5 kW	6 kWh
Vapore/Hot water	- w	4 A	6 A	6 A	2,5 kW	1,2 kWh

Tumble dryer

Technical data

Capacity 1/20	14	Kg
Capacity 1/25	10	Kg
Drum diameter	756	mm
Drum depth	585	mm
Load diameter	560	mm
Drum speed	10 ÷ 50	rpm
Drain diameter	150	mm
Air flow	10	m ³ /min
Exhaust back pressure	150	Pa

Steam heating

Steam inlet	1"
Steam outlet	1"
Acceptable pressure	14 bar
Steam consumption***	43 kg

*** 5 bar

Gas heating

Burners	2
Gas connection	3/4"
Heating power	14 kw

Power and absorptions

Heating	Heating element	4ph 400V+N	3ph 230V	1ph 230V	Total power	Consumption
Elettrico	9x1550 w	22 A	37 A	61 A	15 kW	15 kWh
Vapore	- w	1,5 A	1,5 A	1,5 A	0,8 kW	0,8 kWh
Gas	- w	1,5 A	1,5 A	1,5 A	0,8 kW	0,8 kWh

Tandem

Noise 70 dB(A) Heating leaks from the structure *** 5 %

**** Percentage on installed power

DISTRIBUTOR

DIAMOND EUROPE SA/NV

CHAUSSEE DE VILVORDE 92 - 1120 BRUSSELS - BE

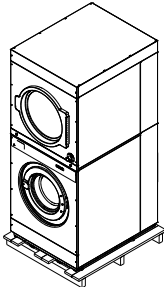
+32 2 4202626

info@diamond-eu.com



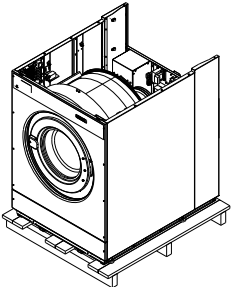
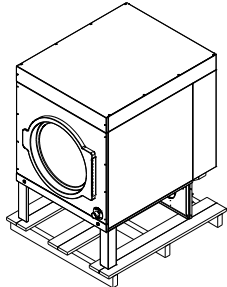
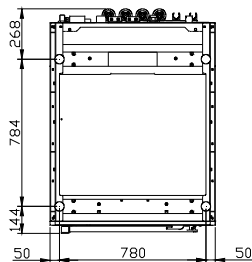
Weights and packing dimensions

Height	2287 mm
Width	1000 mm
Depth	1150 mm
Volum	2,65 m ³
Net weight	580 kg
Gross weight	610 kg



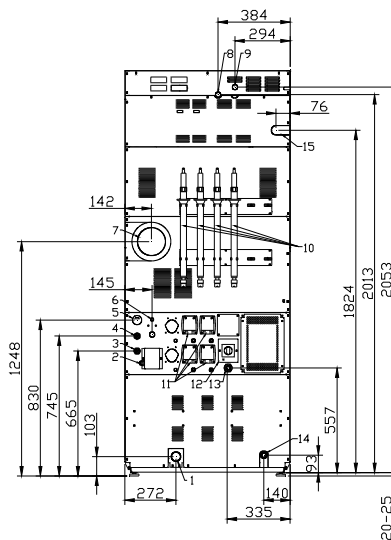
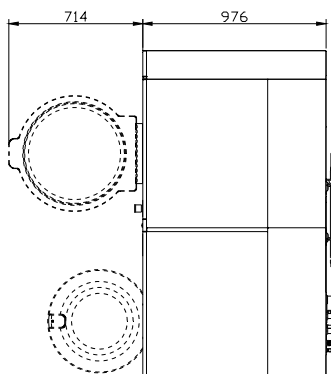
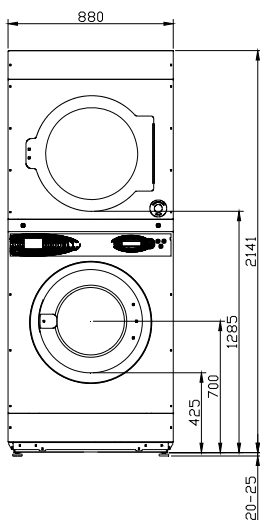
Weights and packing dimensions (Delivery of two separate packs)

Height	1335 mm	Height	1420 mm
Width	1000 mm	Width	1000 mm
Depth	1150 mm	Depth	1150 mm
Volum	1,6 m ³	Volum	1,65 m ³
Net weight	390 kg	Net weight	190 kg
Gross weight	405 kg	Gross weight	205 kg

MACHINE FRONT

- 1 - Drain Ø 50 mm
- 2 - External connections
- 3 - Cold water inlet 3/4" - Press 0,5 ÷ 10 bar
- 4 - Hot water inlet 3/4" - Press 0,5 ÷ 10 bar
- 5 - Bleed
- 6 - Steam inlet 3/4"
- 7 - Humid air exhaust Ø 150 mm
- 8 - Steam outlet 1"
- 9 - Steam inlet 1"
- 10 - Detergent lance
- 11 - Detergent pump
- 12 - Main switch
- 13 - Electrical power
- 14 - Steam outlet 3/4"
- 15 - Gas supply 3/4"



DISTRIBUTOR

DIAMOND EUROPE SA/NV

CHAUSSÉE DE VILVORDE 92 - 1120 BRUSSELS - BE

+32 2 4202626

info@diamond-eu.com

