

02/2016

Mod: DCR37/6-AC-RC

Production code: TT3922SRBE



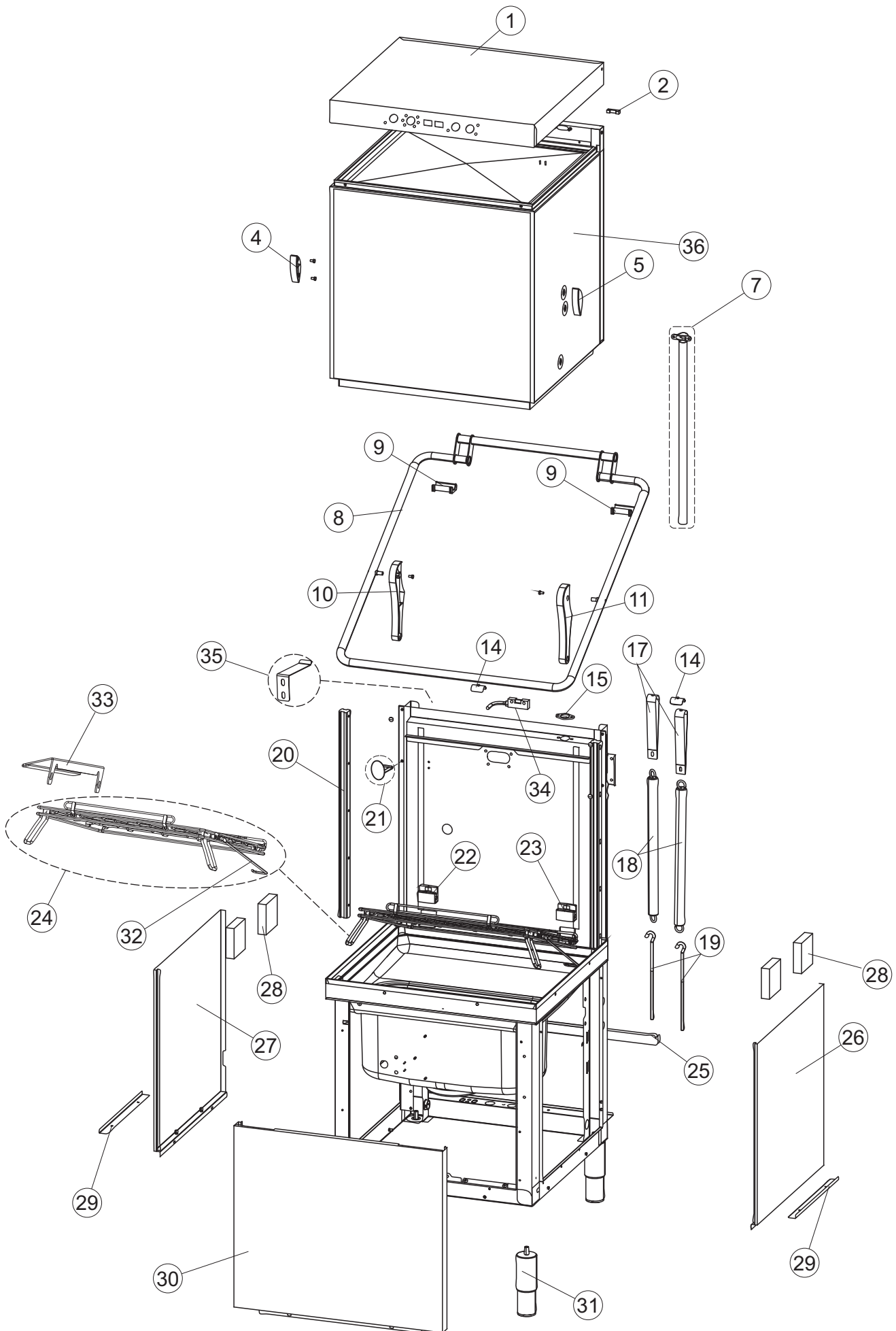


**SPARE PARTS CATALOGUE
ERSATZTEILKATALOG
CATALOGUE PIECES DETACHEES
CATALOGO PARTI RICAMBIO
CATALOGO DE PIEZAS DE RECAMBIO
CATALOGO PEÇAS DE REPOSICAO**

**DCR37
AC-RC**

01-02-2016

1

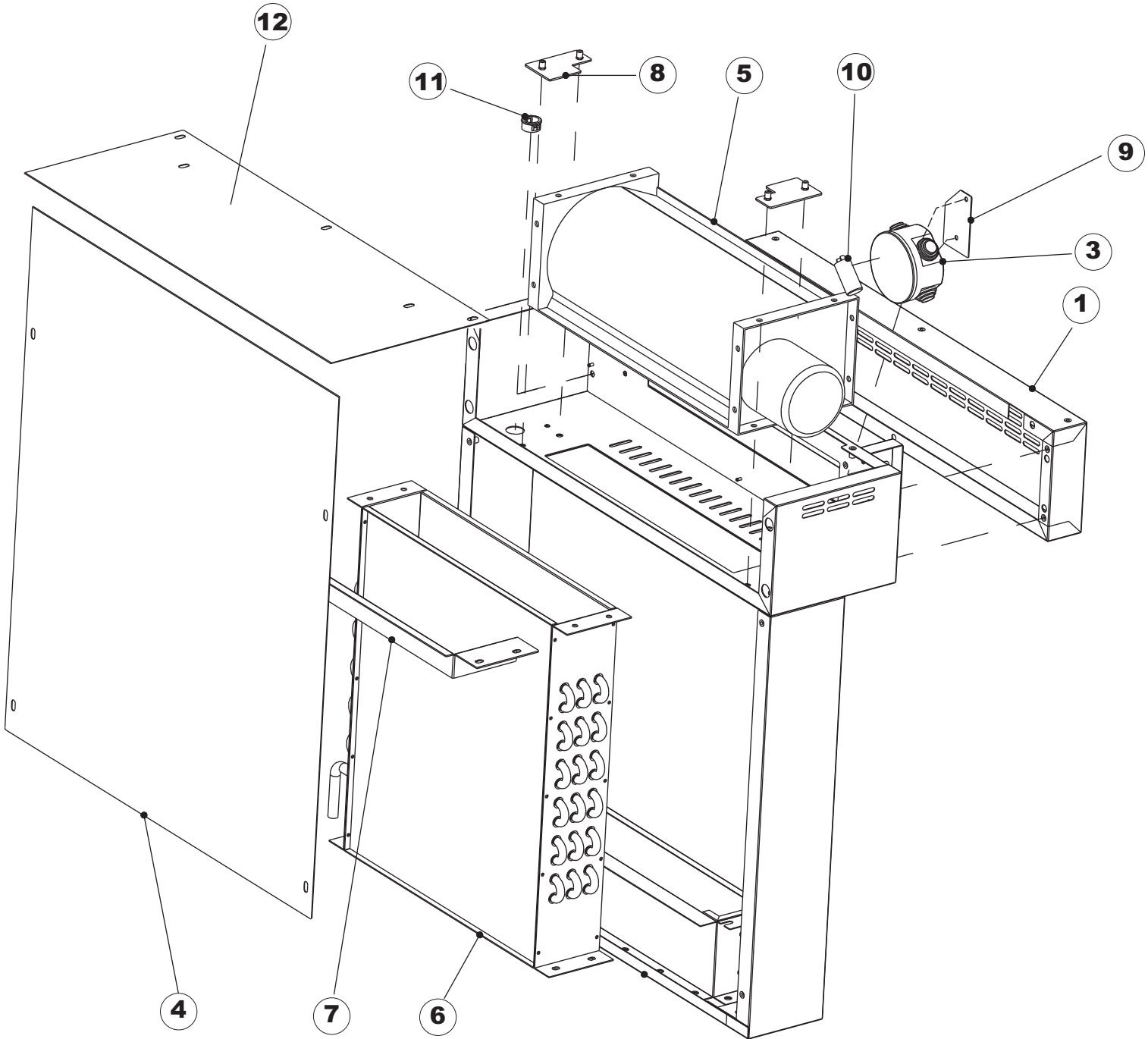


Listino componenti per pagina 1

1	70397	PANNELLO SOPRA CAPP HAUT PANNEAU OBER PANEEL TOP PANEL panel superior	
2	927088	MAGNETE PER MICROINTERRUPTORE CAPP MAGNETO POUR MICRO HOTTE MAGNET FUER HAUBE-MIKROSCHALTER MAGNET FOR HOOD MICROSWITCH IMAN PARA MICROINTERRUPTOR	
4	70202	FERMO LEVA SINISTRA CAPP GAUCHE ARRETR POIGNÉE CAPOT LINKS HANDGRIFF STOPPER LEFT HOOD HANDLE STOP ISQUERDIA TOPE LEVA MANIJA CAPUCHA	
5	70203	FERMO LEVA DESTRA CAPP DROITE ARRETR POIGNÉE CAPOT REICHT HANDGRIFF STOPPER RIGHT HOOD HANDLE STOP DERECHA TOPE LEVA MANIJA CAPUCHA	
7	70094	TUBO PASSA FLAT TUYAU SCHALUCH PIPE MANGUITO	
8	70120	MANIGLIONE BRANCARD HANDGRIFF HANDLE MANIJA	
9	70192	SUPPORTO MANIGLIONE SOUTIEN POIGNÉE UNTERSTÜTZUNG HANDGRIFF HOLDER HANDLE APOYO MANIJA	
10	70200	LEVA SX CAPP levier GAUCHE CAPOT LINKS HEBEL HAUBE LEFT LEVER HOOD palanca ISQUERDIA CAPUCHA	
11	70201	LEVA DX CAPP levier DROITE CAPOT RECHTS HEBEL HAUBE RIGHT LEVER HOOD palanca DERECHA CAPUCHA	
14	70277	PATTINO PATIN ACCROCHAGE RESSORTS FEDERBEFESTIGUNGSSCHLITTE SPRING HOOKING SLIDE ESCUADRA	
15	70092	FLANGIA TUBO FLAT CABLE FLANGE FLANSCH Flachbandkabel FLAT BRIDE CABLE FLAT BRIDA CABLE FLAT	
17	70031	GANCIO DI REGOLAZIONE MOLLE CAPP CROCHET DE REGLAGE RESSORTS FEDER-EINSTELLUNGSHAKEN SPRING ADJUSTMENT HOOK GANCHO REGULACION MUELLE	
18	926108	MOLLA ACCIAIO A TRAZIONE PER LAVASTOVI- RESSORT DE TRACTION EN ACIER POUR LAVE- ZUGFEDER AUS STAHL FUER GESCHIRRSPUELER EXTENSION STEEL SPRING FOR DISHWASHER MUELLE TRACC. CAPOTA f5. 5 121/ .	
19	926009	GANCIO DI REGOLAZIONE MOLLE CAPP CROCHET DE REGLAGE RESSORTS FEDER-EINSTELLUNGSHAKEN SPRING ADJUSTMENT HOOK GANCHO REGULACION MUELLE	
20	K70365	KIT SOSTITUZIONE GUIDA CAPP REPLACEMENT CAPOT GUIDE DE KIT ERSATZHAUBE SATZ FÜHRUNGS REPLACEMENT HOOD KIT GUIDE GUÍA DE JUEGO DE REPUESTO	

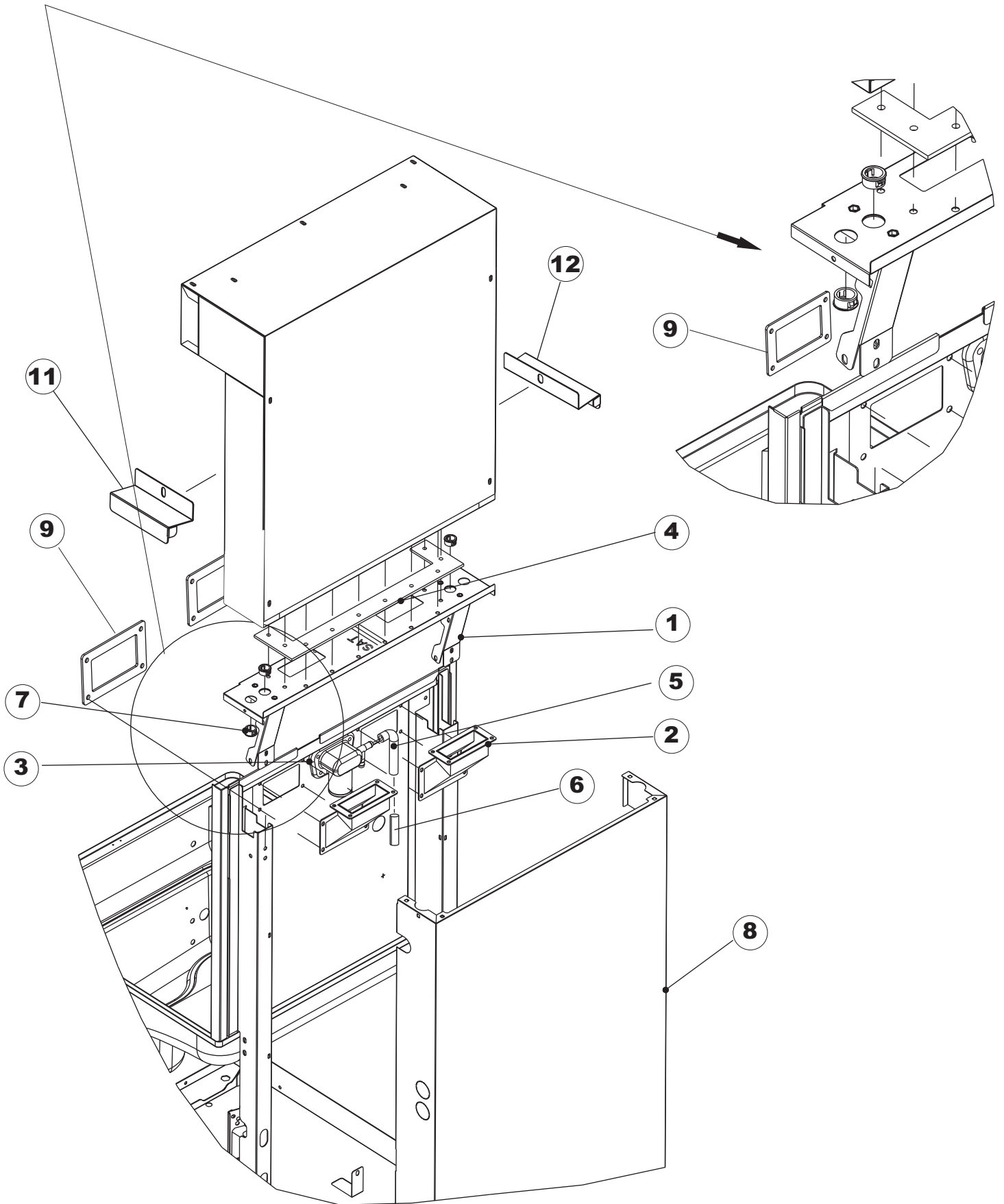
21	70998	DISTANZIALE entretoise Abstandhalter SPACER espaciador	
22	70036	SUPPORTO SINISTRO EQUERRE DE FIXATION GAUCHE LINKS STÜTZWINKEL LEFT BRACKET MÉNSULA DE SOPORTE IZQUERDIA	
23	70035	SUPPORTO DESTRO EQUERRE DE FIXATION DROITE RECHTS STÜTZWINKEL RIGHT BRACKET MÉNSULA DE SOPORTE DERECHA	
24	70255	TELAIO PORTACESTO SUPPORT PANIER RAHMEN RACK FRAME BASTIDOR PORTACESTA	
25	70019	STAFFA DI SUPPORTO MOLLE EQUERRE DE SOUTIEN RESSORT BALKENTRÄGER ZUSAMMENBAUFEDER HOLDER TENSION SPRING APOYO MUELLE ENSAMBLADO	
26	70072	PANNELLO LATERALE DESTRO PANNEAU LATERAL DROITE REICHT SEITENWAND RIGHT SIDE PANEL PANEL LATERAL DERECHO	
27	70071	PANNELLO LATERALE SINISTRO PANNEAU LATERAL GAUCHE LINKEN SEITENWAND LEFT SIDE PANEL PANEL LATERAL IZQUIERDO	
28	41042	TAMPONE ADESIVO TEMPON ADHÉSIF KLEBENPER SCHLEGER ADHESIVE PLUG ESPESORE ADHESIVO PANELES LATERALES LP	
29	80078	STAFFA SOTTOPIANI GOLD PG FINITO console de support Stützwinkel support bracket ESC. FIJACION APOYOS SUPERFICIES GOLD PG	
30	70379	PANNELLO ANTERIORE PANNEAU AVANT VORDERPANEEL FRONT PANEL PANEL FRONTAL	
31	73100	PIEDE VERRIN FUESS FOOT PATA REGULABLE X CAPOTA 3LINEA	
32	70265	CAVALLETTO PIVOT ZAPFEN PIVOT	
33	70250	SPONDA PORTACESTI PANIERS DE PORTES LATÉRALES SEITENTÜR KÖRBE SIDE BRINGS BASKETS	
34	80871	MICRO MAGNETICO CONTACTE MAGNETIQUE TUERKONTAKTSCHALTER MAGNETIC DOOR SWITCH CONTACTO MAGNETICO	
35	70300	STAFFA DI TERRA MANIGLIONE POIGNÉE NEUTRE DE SUPPORT HALTERUNG NEUTRALEN GRIFF STIRRUP MÉNSULA DE SOPORTE (toma de tierra maneja)	

36	70339	GRUPPO CAPPА SQUADRATA ISOLATA COMPLETA GROUPE HOTTE SUR ÉQUERRE COMPLET GRUPPE HAUBE KOMPLETT COMPLETE SQUARED HOOD ASSEMBLY GRUPO CAMPANA CUADRADA AISLADA COMPLETA	Model. C
----	-------	---	----------



Listino componenti per pagina 2

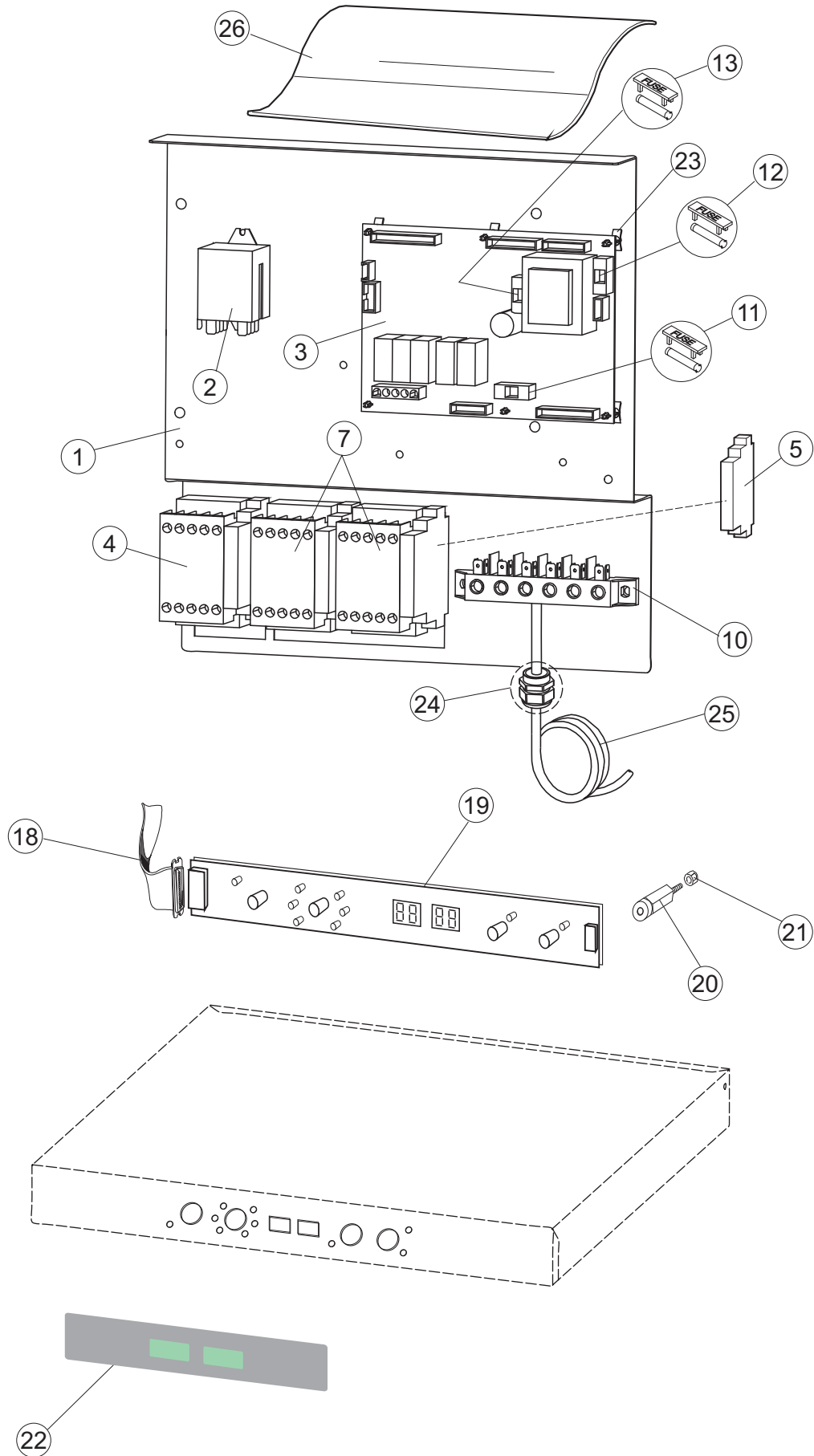
1	70503	PANNELLO ASPIRAZIONE VAPORI COMPLETO VAPEUR D'ASPIRATION DE PANEL COMPLET PANEL SAUGDAMPFES KOMPLETTE PANEL ASPIRATION STEAM COMPLETE PANEL DE VAPOR COMPLETA DE SUCCIÓN	
3	70579	SCATOLA BOITE EN CARTON KOMPLETSATZ CARTON BOX CAJA CARTON	
4	70594	PANNELLO POSTERIORE PANNEAU ARRIERE RUECKWAND BACK PANEL PANEL TRASERO	
5	70521	VENTILATORE PER RECUPERATORE CAPOT VENTILATEUR POUR RECUPERATEUR CAPOT	
6	70552	BATTERIA RAME-ALLUMINIO PER RECUPERATORE CAPOT AR BATTERIE (CU-AL) ART.B-9251438 AKKU (CU-AL) ART.B-9251438 BATTERY (CU-AL) ART.B-9251438 BATERIA (CU-AL) ART.B-9251438	
7	70524	STAFFA EQUERRE DE FIXATION BEF.WINKEL BRACKET MÉNSULA DE SOPORTE	
8	70525	STAFFA EQUERRE DE FIXATION BEF.WINKEL BRACKET MÉNSULA DE SOPORTE	
9	70526	STAFFA EQUERRE DE FIXATION BEF.WINKEL BRACKET MÉNSULA DE SOPORTE	
10	70536	CONDENSATORE CONDENSEUR KONDENSATOR CAPACITOR CONDENSADOR	
11	70549	BOCCOLE PASSACAPO SB1500-21 NERE PLASTIC A	
12	70592	PANNELLO POSTERIORE PANNEAU ARRIERE RUECKWAND BACK PANEL PANEL TRASERO	



Listino componenti per pagina 3

1	70374	PANNELLO POSTERIORE SUPERIORE RECUPERATORE PANNEAU ARRIERE RUECKWAND BACK PANEL PANEL TRASERO	
2	70090	COLLETORE COLLECTEUR SAMMELLEITUNG MAINFOLD COLECTOR	
3	70539	RACCORDO LAVAGGIO RACCORD ANSCHLUSSTEIL PIPE FITTING RECOGIDA	
4	70540	GUARNIZIONE JOINT DICHTUNG GASKET JUNTA	
5	70543	TUBO SAGOMATO RECUPERATORE TUYAU SCHALUCH PIPE MANGUITO	
6	70544	TAPPO INOX BOUCHON DECKEL PLUG TAPON	
7	70549	BOCCOLE PASSACAVO SB1500-21 NERE PLASTIC A	
8	70463	PANNELLO POSTERIORE PANNEAU ARRIERE RUECKWAND BACK PANEL PANEL TRASERO	
9	70569	FLANGIA RECUPERATORE LASERATA	
11	70087	SUPPORTO DESTRO EQUERRE DE FIXATION DROITE RECHTS STÜTZWINKEL RIGHT BRACKET MÉNSULA DE SOPORTE DERECHA	
12	70088	SUPPORTO SINISTRO EQUERRE DE FIXATION GAUCHE LINKS STÜTZWINKEL LEFT BRACKET MÉNSULA DE SOPORTE IZQUERDIA	

4

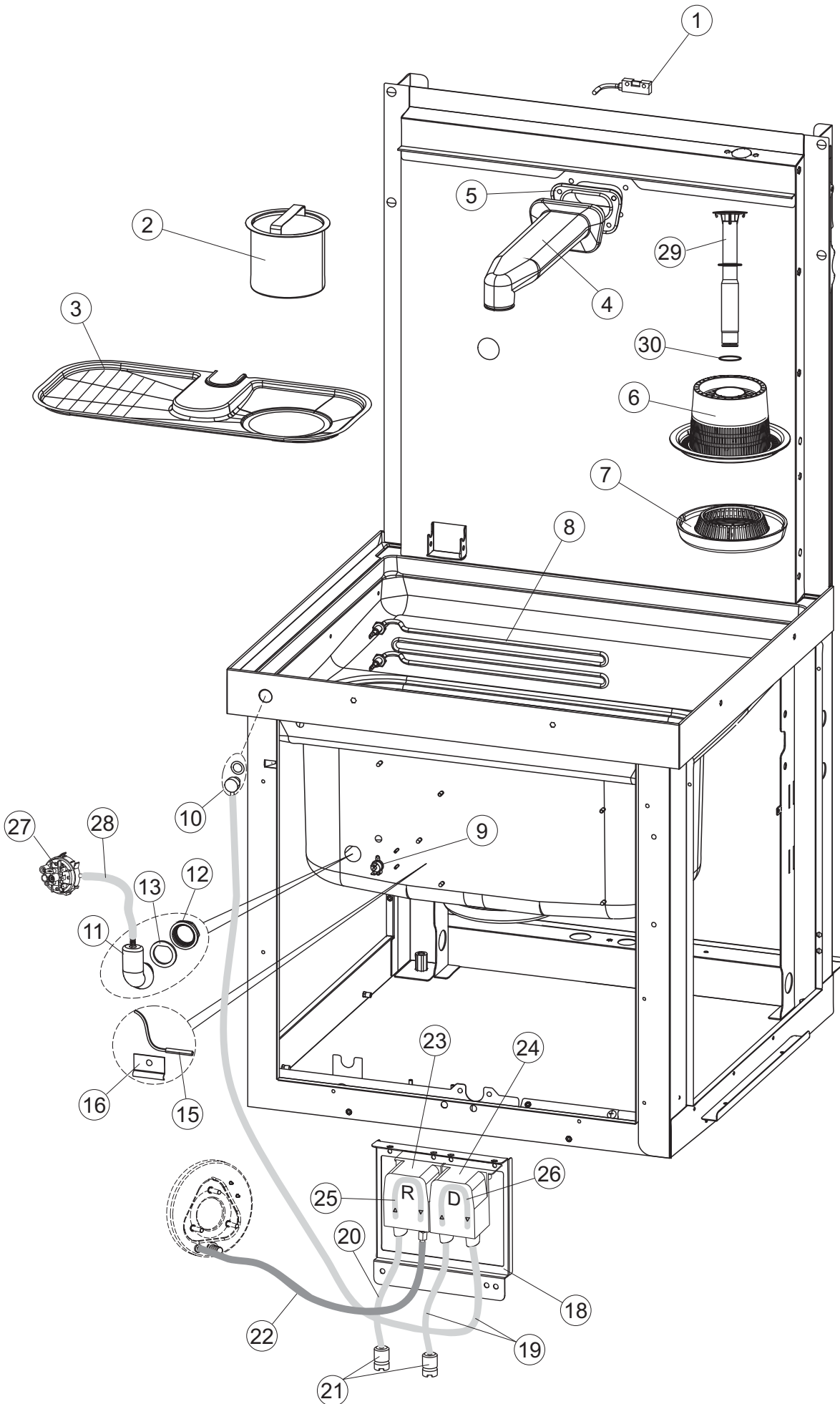


Listino componenti per pagina 4

1	70459	PANNELLO PER COMPONENTI ELETTRICI PANNEAU DE COMPOSANTS ÉLECTRIQUES PANEL FÜR ELEKTRISCHE BAUTEILE PANEL FOR ELECTRICAL COMPONENTS PANEL DE COMPONENTES ELÉCTRICOS	
2	929115	RELE 16A-230V RELAIS 16A 230V RELAIS 16A 230V RELAY 16A 230V RELE 16A 230V	3x
3	215032-4	SCHEDA ELETTRONICA CARTE ELECTRONIQUE KARTE ELEKTRONIK MAIN BOARD TARJETA ELECTRÓNICA	
4	73350	CONTATTORE CONTACTEUR KONTAKTGEBER CONTACTOR CONTACTOR	
5	DEI4	CONTATTO AUSILIARIO CONTACT AUXILIAIRE Hilfskontakt AUXILIARY CONTACT AUXILIAR DE CONTACTO	
7	73351	CONTATTORE CONTACTEUR KONTAKTGEBER CONTACTOR CONTACTOR	
10	220011	MORSETTIERA bornier pour le raccordement anschlussterminal TERMINAL BLOCK bloque de terminales	
11	228004	FUSIBILE FUSIBLE Sicherung FUSE FISIBLE	
12	228012	FUSIBILE 5X20 T160MA FUSIBLE Sicherung FUSE FISIBLE	
13	228011	FUSIBILE 5X20 T2A FUSIBLE Sicherung FUSE FISIBLE	
18	80933	CAVO FLAT CABLE FLAT Flachbandkabel FLAT FLAT CABLE CABLE FLAT	
19	227084	PULSANTIERA 4 TASTI 2 DISPLAY X GET5 TABLEAU DE PUSOIR TASTENFELD PUSH BUTTONS ASSEMBLY BOTONERA 4 TECLAS 2 DISPLAY X GET50	
20	419036	DISTANZIALI SCHEDA ENTRETOISE X CARTE ELECTRONIQUE ABSTANDSROHR INTERFACE BOARD DISTANCE KEEPERS DISTANCIADOR M3	
21	417119	DADO ECROU MUTTER NUT TUERCA	
22	70742	INTERFACCIA ADESIVA DI CONTROLLO CAPOT ACTIVE WASH INTERFACE ADHÉSIVE CONTRÔLE CAPOT ACTIVE WASH HOR TASTATURFOLIEN CAPOT ACTIVE WASH HORECALAND CONTROL ADHESIVE INTERFACE CAPOT ACTIVE WASH HORE INTERFAZ ADHESIVA DE CONTROL CAPOT ACTIVE WASH HOF	

23	CWP2	PIEDINI SUPPORTO SCHEDA ELETTRONICA VERRIN FUESS FOOT PATA	
24	DEP521	PASSACAVO PRESSE ÉTOUPE KABELVERSCHRAUBUNG CABLE GLAND PASACABLES	
25	75989	CAVO ALIMENTAZIONE 5X6MM (H07RN-F) CÂBLE ÉLECTRIQUE STROMKABEL POWER CABLE CABLE ELÉCTRICO	
26	80731	TENDINA PVC PROTEZIONE COMP. ELE RIDEAU PVC PROTECTION COMP. ELECTR. VORHANG, PVC EL.SCHUTZ KOMPL. CURTAIN, PVC EL.COMP.PROTECTION CORTINA PVC PROTECCION COMP. ELE	

5

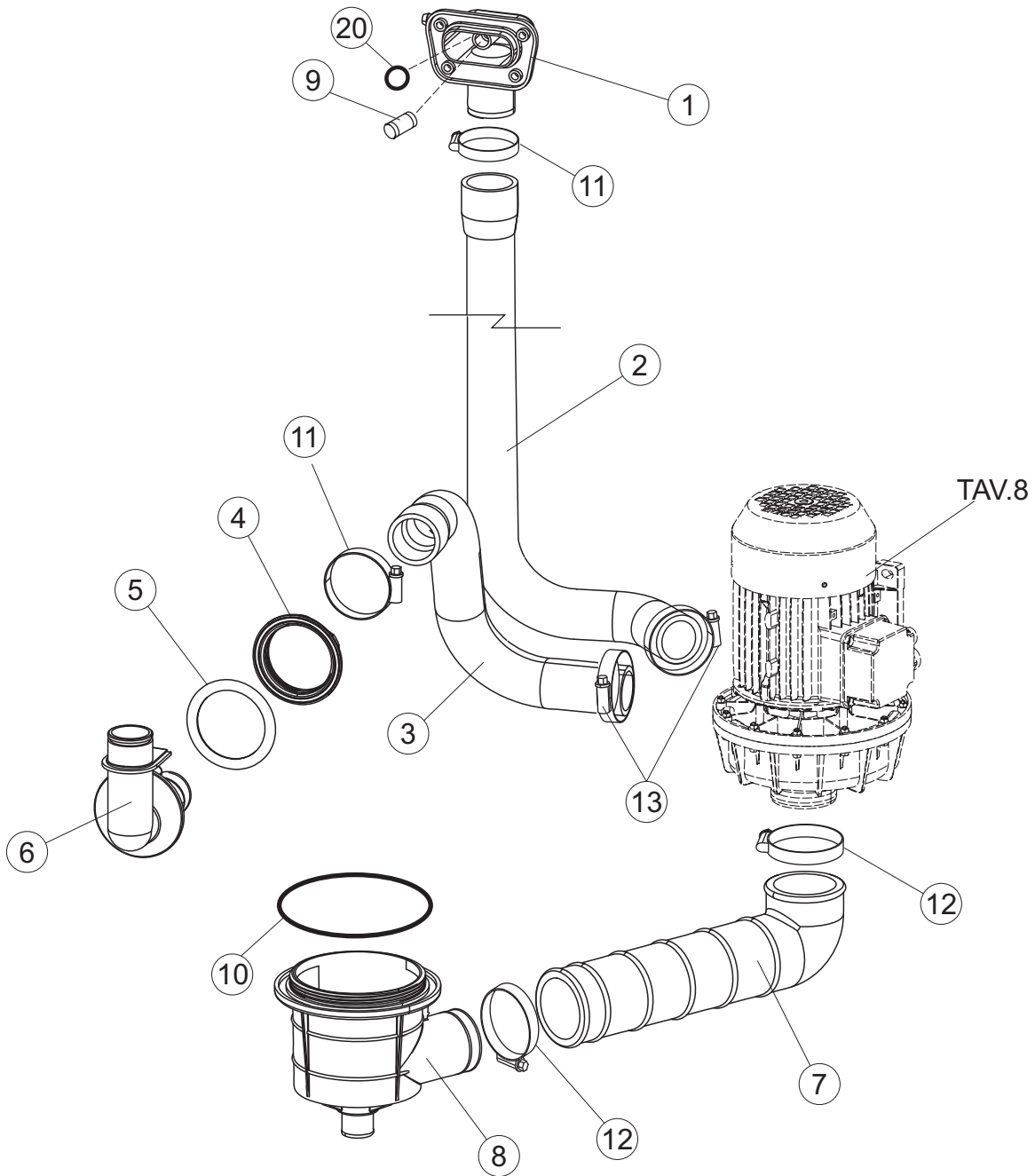


Listino componenti per pagina 5

1	80871	MICRO MAGNETICO CONTACTE MAGNETIQUE TUERKONTAKTSCHALTER MAGNETIC DOOR SWITCH CONTACTO MAGNETICO	
2	80159	CESTELLO FILTRO VASCA PETIT CASIER POUR FILTRE TANK SIEN KORBEN TANK STRAINER BASKET CESTA FILTRO CUBETA	
3	70153	FILTRO VASCA FILTRE FILTER STAINER FILTRO	
4	69017	COLLETORE LAVAGGIO COLLECTEUR SAMMELLEITUNG MAINFOLD COLECTOR	
5	80178	GUARNIZIONE JOINT DICHTUNG GASKET JUNTA	
6	121120	FILTRO VASCA FILTRE FILTER STAINER FILTRO	
7	429072	GHIERA DOUILLE GEWINDERING RING NUT CONTERA VIROLA	
8	70562	RESISTENZA 3000W 230V MONOFASE RESISTANCE HEIZUNG HEATING ELEMENT RESISTENCIA	
9	926189	TERMOSTATO 95°C THERMOSTAT DE SURETE' A CONTACT KONTAKT-SICHERUNGSTHERMOSTAT (236039) CONTACT SAFETY-THERMOSTAT (REPLACES TERMOSTATO CALENTADOR SEG. 95ø	
10	468151	RACCORDO DETERSIVO VASCA RACCORD EN ACIER INOXYDABLE ENTREE' ANSCHLUSSSTUECK AUS NICHTROSTENDEM STAINLESS STEEL INLET DETERGENT ELBOW, EMPALME ENTRADA JABON CPL NM * SOLDADO	
11	70600	TRAPPOLA ARIA ESTERNA cloche de pression Glocke fur druckschalter AIR TRAP for pressure switch CAMPANA PRESOSTATO	
12	417120	DADO ECROU MUTTER NUT TUERCA	
13	437098	GUARNIZIONE JOINT DICHTUNG GASKET JUNTA	
15	231016	SONDA TEMPERATURA SONDE TEMPERATURFUHLER TEMPERATURE PROBE SONDA TEMPERATURA (AMPOLLA ACERO)	
16	H.775489-001	CLIP SONDA TEMPERATURA D5 soutien sonde de température Support-Temperaturfühler Support temperature probe Soporte sonda de temperatura	

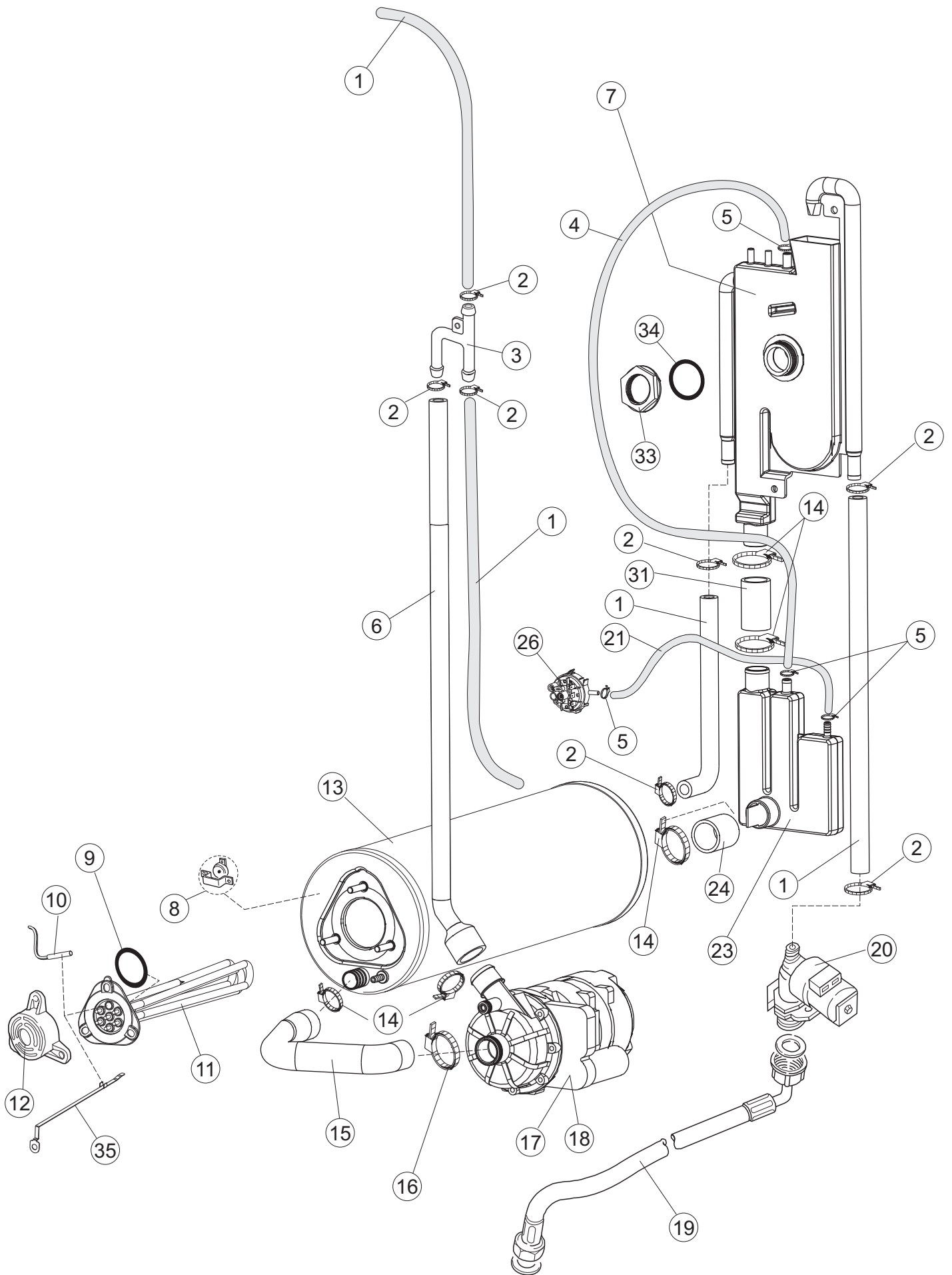
18	80675	STAFFA DOSATORI PERISTALTICI console de support Stützwinkel support bracket SOPORTE DOSIFICADORES PERIST. PG ACABADO	
19	143194	TUBO 4x6 CRISTAL TRASPARENTE TUYAU SCHALUCH PIPE MANGUITO	
20	H.775601	TUBO 4x6 CRISTAL BLUE PVC TUYAU SCHALUCH PIPE MANGUITO	
21	121993	GRUPPO FILTRO+ZAVORRA DOSATORE filtre distributeur Filterspender filter aid dispenser filtro dispensador	
22	143005	TUBO IN GOMMA TELATA 5X12 NERO TUYAU EN CAOUTCHOUC LIN 5X12 NOIR SCHLAUCH AUS LINENGUMMI 5X12 - SCHWARZ LINEN RUBBER PIPE 5X12 - BLACK TUBO PRES. TP 5x11 (CASER/15/NL C4N)	
23	209036	DOSATORE BRILLANTANTE distributeur de produit de rinçage Klarspüler DOSIERGERAET RINSE AID-DISPENSER DOSIFICADOR ABRILLANTADOR	
24	209039	DOSATORE DETERGENTE distributeur de détergent Reinigerdosiergerät detergent dispenser dispensador de detergente	
25	143266	TUBETTO SIL.5X10 MP2NERO+V.I(SEKO) TUYAU SCHALUCH PIPE MANGUITO	
26	143267	TUBETTO SANTOPRENE 6X10 RACCORDI +GHIERE TUYAU SCHLAUCH PIPE MANGUITO	
27	224002	PRESSOSTATO 110-60 PRESSOSTAT 110/60 DRUCKWAECHTER 110/60 PRESSURE SWITCH TYPE 110-60 PRESOSTATO - 110/60	
28	143131	TUBO GOMMA 4X7MM TUYAU SCHALUCH PIPE MANGUITO	
29	70355	TROPPOPIENO TROP PLEIN UEBERLAUFROHR OVERFLOW PIPE REBOSE	
30	70135	guarnizione o-ring joint torique o-ring O-Ring-Dichtung O-ring junta tórica o-ring	

6



Listino componenti per pagina 6

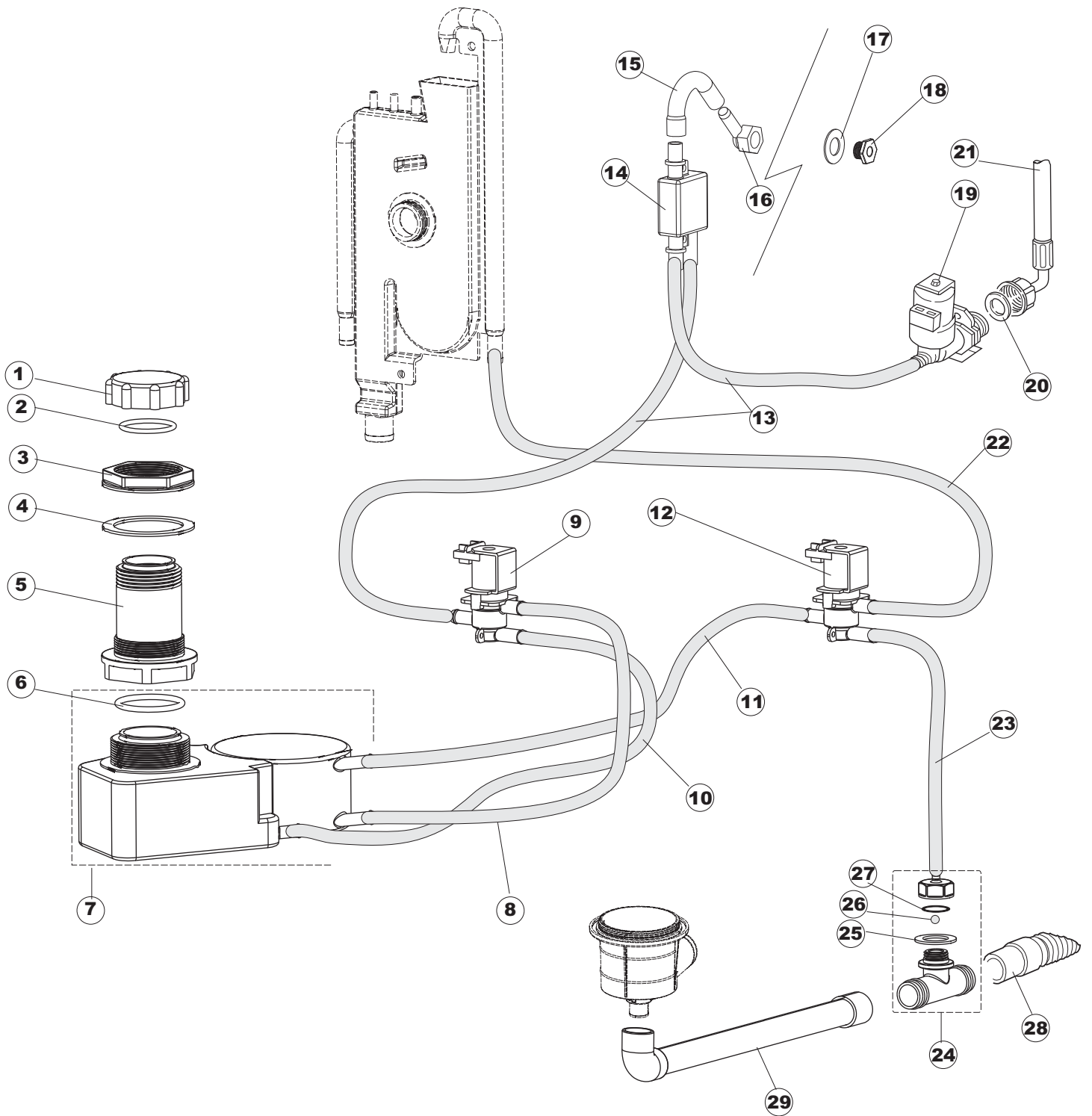
1	80174	RACCORDO LAVAGGIO RACCORD ANSCHLUSSTEIL PIPE FITTING RECOGIDA	
2	70020	TUBO LAVAGGIO TUYAU SCHALUCH PIPE MANGUITO	
3	70021	MANICOTTO MANDATA LAVAGGIO tuyau de refoulement à laver Druckschlauch Wasch DELIVERY WASH HOSE MANGUITO LAVADO	
4	70473	GHIERA DOUILLE GEWINDERING RING NUT CONTERA VIROLA	
5	70476	GUARNIZIONE LAVAGGIO JOINT DICHTUNG GASKET JUNTA	
6	70475	COLLETTORE LAVAGGIO INFERIORE COLLECTOR INFERIEURE LEITUNG UNTEN lower MANIFOLD COLECTOR inferior	
7	80186	MANICOTTO ASPIRAZIONE tuyau d'aspiration SAUGROHR suction pipe tubo de aspiración	
8	70040	POZZETTO SCARICO fosse de vidange Abflussgrube drain cockpit fosa de drenaje	
9	441009	GUARNIZIONE IN GOMMA RISCIAQUO JOINT DICHTUNG GASKET JUNTA	
10	456076	guarnizione o-ring joint torique o-ring O-Ring-Dichtung O-ring junta tórica o-ring	
11	CFS1A	FASCETTA SERRAGGIO TUBI Collier de serrage Schlauchschele HOSE CLAMP ABRAZADERA	
12	CFS3	FASCETTA A VITE TORRO W2B 60-80/12 BANDE DE SERRAGE A VIS TORRO W2B 60-80/12 SCHELLE, SCHRAUBE TORRO W2B 60-80/12 CLAMP, HOSE-TYPE TORRO W2B 60-80/12 ABRAZADERA CON TORNILLO TORRO W2B	
13	CFS2	FASCETTA TORRO W1/W2B 50-70/12 BANDE DE SERRAGE TORRO W1/W2B 50-70/12 SCHELLE, TORRO W1/W2B 50-70/12 CLAMP, TORRO W1/W2B 50-70/12 ABRAZADERA TORRO W1/W2B 50-70/12	
20	CGR3037	guarnizione o-ring joint torique o-ring O-Ring-Dichtung O-ring junta tórica o-ring	



Listino componenti per pagina 7

1	143010	TUBO IN GOMMA 12X19,5 (FOOD QUALITY) TUYAU EN CAOUTCHOUC 12X19,5 GUMMISCHALUCH 12X19,5 RUBBER PIPE 12X19,5 TUBO PRES. TP 12X19. 5	
2	927322	FASCETTA SERRAGGIO TUBI Collier de serrage Schlauchschele HOSE CLAMP ABRAZADERA	
3	143268	IPSILON DI RISCIAQUO jonction "Y" Kreuzung "Y" junction "Y" UNION "Y"	
4	H.165168	TUBO TRASPARENTE TUYAU SCHALUCH PIPE MANGUITO	
5	423010	FASCETTA STRINGITUBO IPO TORRO 8-12/7.5 W1 COLLIER DE SERRAGE SCHLAUCHSCHELLE HOSE CLAMP ABRAZADERA	
6	41525	TUBO MANDATA RISCIAQUO TUYAU DE REFOULEMENT RINÇAGE (CRP) NACHSPUEL-FOERDERLEITUNG (CRP) RINSE DELIVERY TUBE(CRP) TUBO IMPULSION ENJUAGUE (CRP)	
7	144021	BREAKTANK BREAK TANK BREAK TANK BREAK TANK BREAK TANK	
8	926189	TERMOSTATO 95°C THERMOSTAT DE SURETE' A CONTACT KONTAKT-SICHERUNGSTHERMOSTAT (236039) CONTACT SAFETY-THERMOSTAT (REPLACES TERMOSTATO CALENTADOR SEG. 95ø	
9	456002	guarnizione o-ring joint torique o-ring O-Ring-Dichtung O-ring junta tórica o-ring	
10	231016	SONDA TEMPERATURA SONDE TEMPERATURFUHLER TEMPERATURE PROBE SONDA TEMPERATURA (AMPOLLA ACERO)	
11	230020C	KIT RESISTENZA KIT RESISTANCES REB230020 (8KW) KIT DER HEIZUNGEN REB230020 (8KW) KIT HEATING ELEMENTS REB230020 (8KW) KIT RESISTENCIA REB230020 (8KW)	
12	69870	PROTEZIONE RESISTENZA BOILER PROTECTION RESISTANCE BOILER HEIZUNGSSCHUETZ DES WARMWASSERBEREITERS BOILER HEATING ELEMENT PROTECTION PROTECCION RESISTENCIA CALENTADOR	
13	104061	BOILER CHAUDIÈRE WARMWASSERBEREITER BOILER CALENTADOR	
14	CFS18	FASCETTA SERRAGGIO TUBI Collier de serrage Schlauchschele HOSE CLAMP ABRAZADERA	
15	69068	TUBO MANDATA LAVAGGIO SUPERIORE CAPOT TUYAU SCHALUCH PIPE MANGUITO ASPIRAC.CRP LA50	

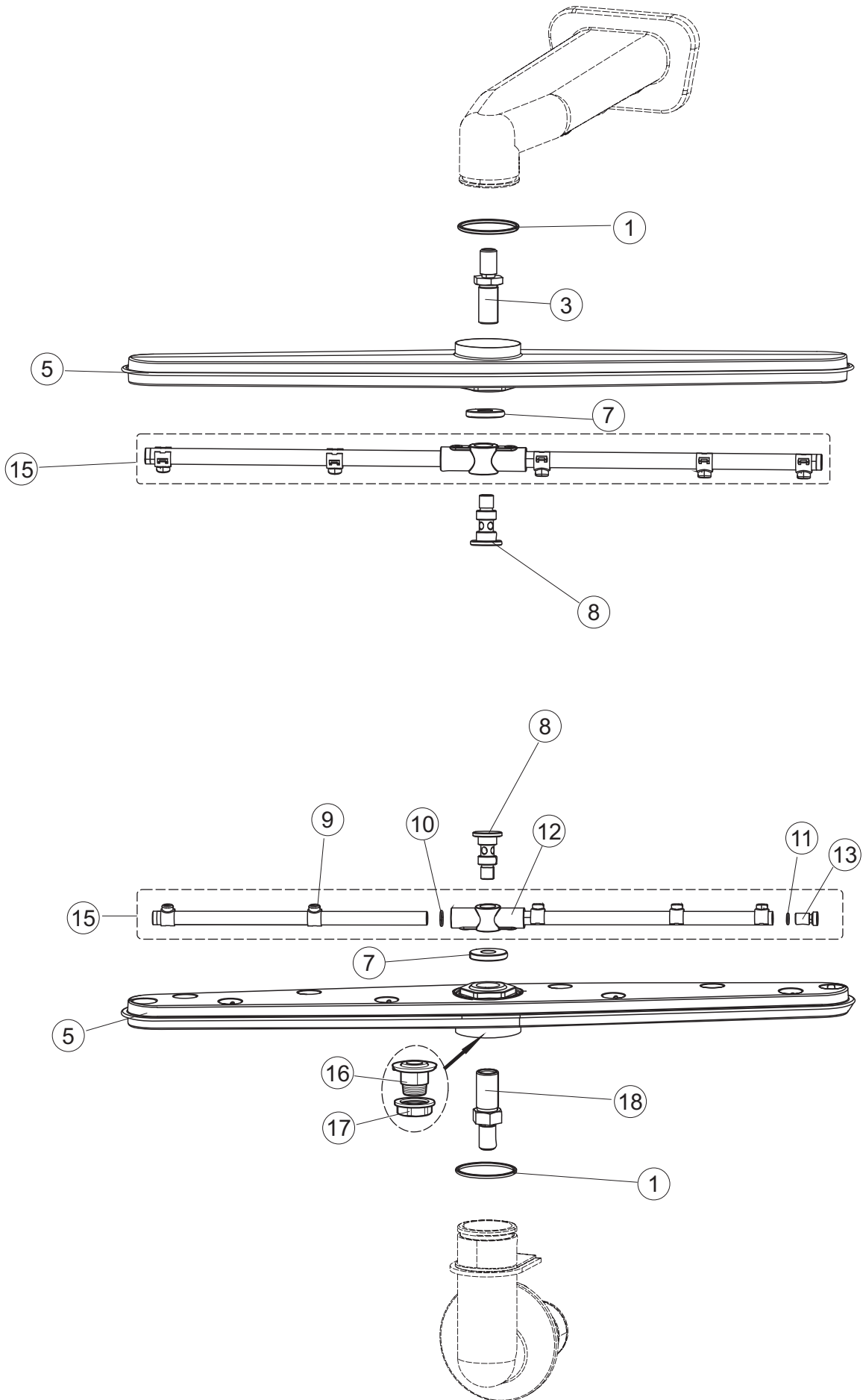
16	423008	FASCETTA SERRAGGIO TUBI doppio filo con vite 25-29 Collier de serrage Schlauchschelle HOSE CLAMP ABRAZADERA	
17	80627	POMPA RISCIAQUO 50 Hz pompe rinçage 50 Hz spulen pumpe 50 Hz rinse pump 50 Hz bomba de aclarado 50 Hz	
18	80629	POMPA RISCIAQUO 60 Hz pompe rinçage 60 Hz spulen pumpe 60 Hz rinse pump 60 Hz bomba de aclarado 60 Hz	
19	143270	TUBO CARICO 3/4G D.I.10 2MT TUYAU SCHALUCH INLET WRAS PIPE TUBO WRAS	
20	240018	ELETTROVALVOLA ELECTROVANNE Magnetspule SOLENOID VALVE ELECTROVALVULA	
21	143005	TUBO IN GOMMA TELATA 5X12 NERO TUYAU EN CAOUTCHOUC LIN 5X12 NOIR SCHLAUCH AUS LINENGUMMI 5X12 - SCHWARZ LINEN RUBBER PIPE 5X12 - BLACK TUBO PRES. TP 5x11 (CASER/15/NL C4N)	
23	144032	SISTEMA CARICAMENTO BOILER CRP CON CAMPANA PRESSC SYSTÈME CHARGEMENT DE CHAUDIÈRE CRP LADESYSTEM KESSEL CRP LOADING SYSTEM BOILER CRP WITH BELL PRESSURE SWITCH SISTEMA CARGA DE CALDERA CRP	
24	127095	MANICOTTO BOILER MANCHON CHAUDIÈRE schlauch-WARMWASSERBEREITER BOILER PIPE TUBO CALENTADOR	
26	224002	PRESSOSTATO 110-60 PRESSOSTAT 110/60 DRUCKWAECHTER 110/60 PRESSURE SWITCH TYPE 110-60 PRESOSTATO - 110/60	
31	929171	TUBO IN GOMMA 20X29 TUYAU EN CAOUTCHOUC 20X29 GUMMISCHALUCH 20X29 RUBBER PIPE 20X29 TUBO GOMA 20X30	
33	417125	DADO ECROU MUTTER NUT TUERCA	
34	437104	GUARNIZIONE D45D33S2 EPDM 70SH JOINT DICHTUNG GASKET JUNTA	
35	69871	PORTASONDA SUPPORT DE SOND SONDENHALTER PROBE HOLDER SOPORTE DE SONDA	



Listino componenti per pagina 8

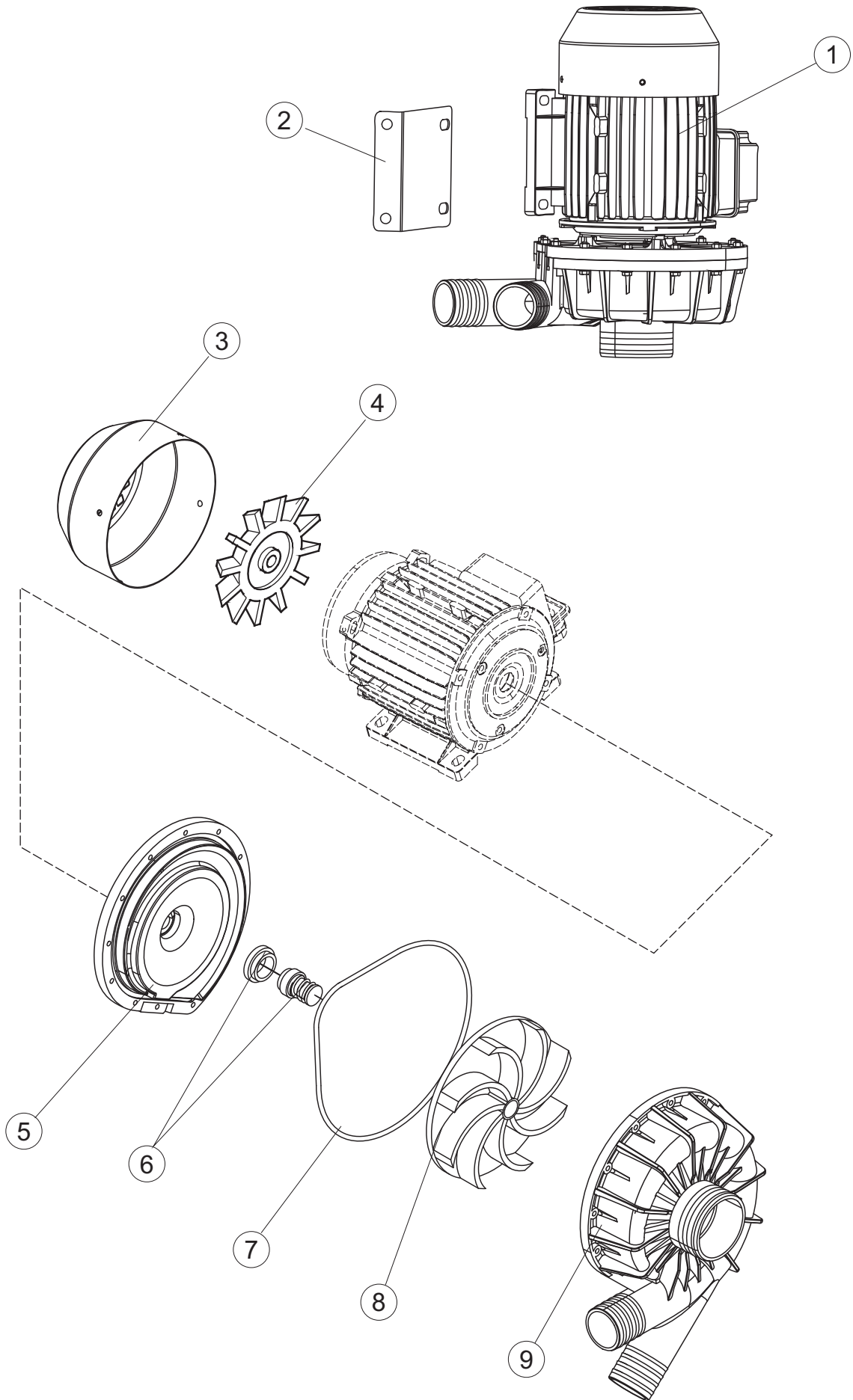
1	480005	TAPPO DECALCIFICATORE BOUCHON POUR BOL A SEL VERSCHLUSS FUER SALZBEHAELTER SALT CONTAINER SCREW CAP TAPON JARRA SAL	
2	456052	guarnizione o-ring joint torique o-ring O-Ring-Dichtung O-ring junta tórica o-ring	
3	429073	GHIERA DOUILLE GEWINDERING RING NUT CONTERA VIROLA	
4	437102	GUARNIZIONE CONDOTTO INFER.LA50 JOINT DICHTUNG GASKET JUNTA	
5	73337	PROLUNGA EXTENSION ERWEITERUNG EXTENSION	
6	456079	guarnizione o-ring joint torique o-ring O-Ring-Dichtung O-ring junta tórica o-ring	
7	117008	DECALCIFICATORE TYPE425 + FASTON ADOUICISSEUR WASSERENTKAECKER WATER SOFTNER DESCALCIFICADOR TYPE425+FASTON	
8	127100	MANICOTTO DURITE ROHR SLEEVE MANGUITO	
9	999288	GRUPPO VALVOLA DEVIATRICE GRUPO VALVULA DESVIAC.CON REDUCTOR	
10	127099	MANICOTTO DURITE ROHR SLEEVE MANGUITO	
11	127101	MANICOTTO DURITE ROHR SLEEVE MANGUITO	
12	240020	ELETTROVALVOLA ADDOLCITORE ELECTROVANNE Magnetspule SOLENOID VALVE ELECTROVALVULA	
13	143004	TUBO TUYAU SCHALUCH PIPE TUBO PRES. TP 10X17 (CASER/15NL C4N)	
14	H.324091	DISPOSITIVO DI NON RITORNO Clapet Anti-Retour Rückschlagventil NON RETURN VALVE válvula de retención	
15	143010	TUBO IN GOMMA 12X19,5 (FOOD QUALITY) TUYAU EN CAOUTCHOUC 12X19,5 GUMMISCHALUCH 12X19,5 RUBBER PIPE 12X19,5 TUBO PRES. TP 12X19. 5	

16	468165	ATTACCO TUBO RISCACQUO SUPERIORE CONNEXION TUYAU SUPERIEUR DE RINCAGE ANSCHLUSSROHR DER NACHSPUELUNG - OBEN UPPER RINSE PIPE CONNECTOR PIPA EMPALME PLASTICO 35/40/22	
17	75402	GUARNIZIONE RACCORDO RISCACQUO JOINT RACCORD RINCAGE DICHTUNG ABWASCHE ANSCHLUSS RINSE PIPE GASKET JUNTA EMPALME ENJUAGUE	
18	429075	GHIERA SFIATO DOUILLE GEWINDERING RING NUT CONTERA VIROLA	
19	240021	ELETTROVALVOLA ELECTROVANNE Magnetspule SOLENOID VALVE ELECTROVALVULA	
20	437041	GUARNIZIONE 3/4 JOINT DICHTUNG GASKET JUNTA	
21	143270	TUBO CARICO 3/4G D.I.10 2MT TUYAU SCHALUCH INLET WRAS PIPE TUBO WRAS	
22	127103	MANICOTTO DURITE ROHR SLEEVE MANGUITO	
23	127102	MANICOTTO DURITE ROHR SLEEVE MANGUITO	
24	73910	VALVOLA DI SCARICO ADDOLCITORE soupape d'échappement adoucisseur Auslassventil Weichmacher spftener exhaust valve válvula de escape ablandador	
25	437083	GUARNIZIONE GOMMA D32D19.5S1.5 JOINT DICHTUNG GASKET JUNTA	
26	476008	SFERA.VALVOLA.LA50.HOST.D=5/16" SPHERE KUGEL SPHERE ESFERA	
27	456015	guarnizione o-ring joint torique o-ring O-Ring-Dichtung O-ring junta tórica o-ring	
28	73075	TUBO SCARICO TUYAU DE VIDANGE ABFLUSSSCHLAUCH DRAIN HOSE TUBO DESCARGA	
29	70097	TUBO DI SCARICO TUYAU DE VIDANGE ABFLUSSSCHLAUCH DRAIN HOSE TUBO DESCARGA	



Listino componenti per pagina 9

1	80184	ANELLO TENUTA PER SUPP.LAVAGGIO BAGUE TEILERPLATTE SEALING RING ANILLO ESTANQ. PARA SOP.LAVADO	
3	80282	PERNO LANCIA IN ACCIAIO INOSSIDABILE PIVOT ZAPFEN PIVOT PERNO	
5	80311	BRACCIO COMPLETO LAVAGGIO BRAS DE LAVAGE COMPLET WASCH ARM KOMPLETTEN COMPLETE WASH ARM BRAZO LAVADO COMPLETO	
7	80679	GHIERA M12 INOX DOUILLE GEWINDERING RING NUT CONTERA VIROLA	
8	80644	PERNO PIVOT ZAPFEN PIVOT PERNO	
9	140036	SPRUZZO RISCIAQUO GLICEUR DUESE RINSE JET ROCIADOR ENJUAGUE	
10	456019	guarnizione o-ring joint torique o-ring O-Ring-Dichtung O-ring junta tórica o-ring	
11	CGR106	O-RING 106 GOMMA NITR. (6,75 X 1,78 NBR) O-RING 106 CAOUTCHOUC NITRYLE (6,75 X 1,78 NBR) O-RING 106 NITRILGUMMI (6,75 X 1,78 NBR) O-ring 106 NITRILE RUBBER (6,75 X 1,78 NBR) VER CÓDIGO 456030	
12	69632	CORPO BRACCIO CORPS BRAS Armkörper Waschen oder Spülen BODY ARM CUERPO BRAZO	
13	926132	TAPPO PL.X BRACCIO DI RISC.(DWT312) EMBOUT EN PLASTIQUE POUR RAMPE DE RINC. ZAPFEN PLASTIC RINSE ARM CAP TAPON PL. X BRAZO DE ENJUAGUE (DWT312)	
15	69677	BRACCIO COMPLETO RISCIAQUO BRAS DE RINCAGE COMPLET KOMPLETTEN NACHSPUELUNGSARM COMPLETE RINSE ARM BRAZO ENJUAGUE COMPLETO	
16	80310	SUPPORTO BRACCIO SUPPORT RAMPE DE LAVAGE GRIS (RAL7001) WASCHARMHALTER - GRAU (RAL 7001) GREY WASH ARM JOURNAL BOX (RAL 7001) SOPORTE LANC/LAVADO (RAL7001)	
17	80314	GHIERA LANCIA LAVAGGIO DOUILLE GEWINDERING RING NUT CONTERA VIROLA	
18	80283	PERNO INFERIORE INFÉRIEUR PIVOT UNTEN ZAPFEN BOTTOM PIVOT PIVOTE INFERIOR	



Listino componenti per pagina 10

1	70100	POMPA LAVAGGIO POMPE DE LAVAGE WASCHPUMPE WASHPUMP bomba de lavado	
2	70105	STAFFA EQUERRE DE FIXATION BEF.WINKEL BRACKET MÈNSULA DE SOPORTE	
3	70940	COPRIVENTOLA ELETTRPOMPA COUVRE-HELICE POUR POMPE LAUFRAD-DECKEL FUER PUMPE 1240 ELECTROPUMP FAN COVER CUBREVENTILADOR ELECTROBOMBA	
4	70939	VENTOLA POMPA 2400 VENTILATEUR POUR MOTOPOMPE LAUFRAD FUER MOTORPUMPE WASHPUMP FUN ROTOR PARA ELECTROBOMBA	
5	70941	FLANGIA BRIDE FLANSCH FLANGE BRIDA	
6	70942	TENUTA MECCANICA ETANCHEITE MECHANIQUE POUR MOTOPOMPE MECHANISCHE DICHTUNG WASHPUMP SHAFT SEAL SELLO MECANICO PARA ELECTROBOMBA	
7	70943	guarnizione o-ring joint torique o-ring O-Ring-Dichtung O-ring junta tórica o-ring	
8	70944	GIRANTE ELETTRPOMPA IMPULSEUR MOTOPOMPE FLUEGELRAD FUER MOTORPUMPE ELECTROPUMP IMPELLER ROTOR PARA ELECTROBOMBA	
9	70945	CHIOCCIOLA ELETTRPOMPA couvercle de la turbine PUMPENGEHAEUSE ELECTROPUMP HOUSING ESPIRAL PARA ELECTROBOMBA	