

11/2016

Mod: CNS20

Production code: NTE-20



Diamond
catering equipment

NEUTRAL TROLLEYS / CARROS NEUTROS

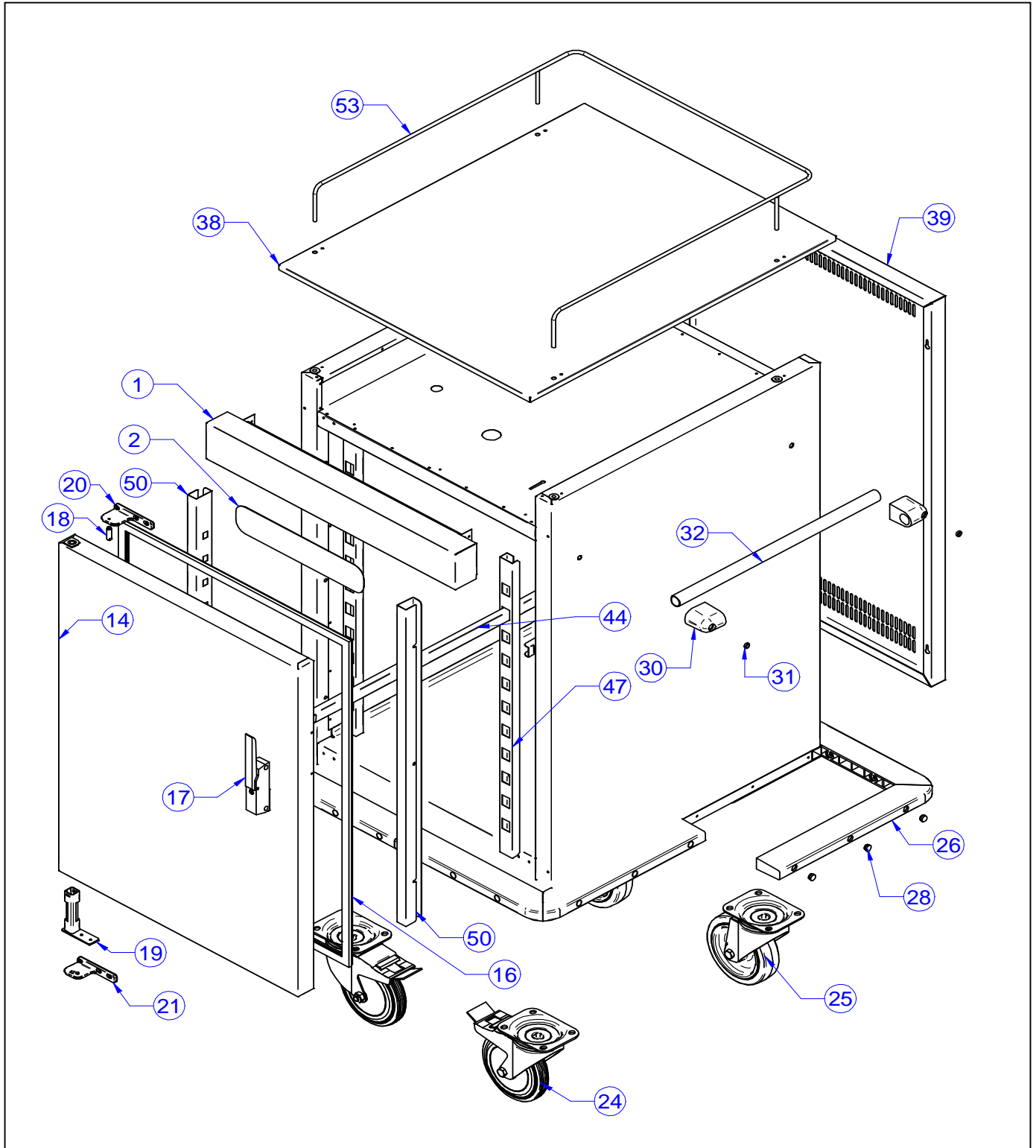


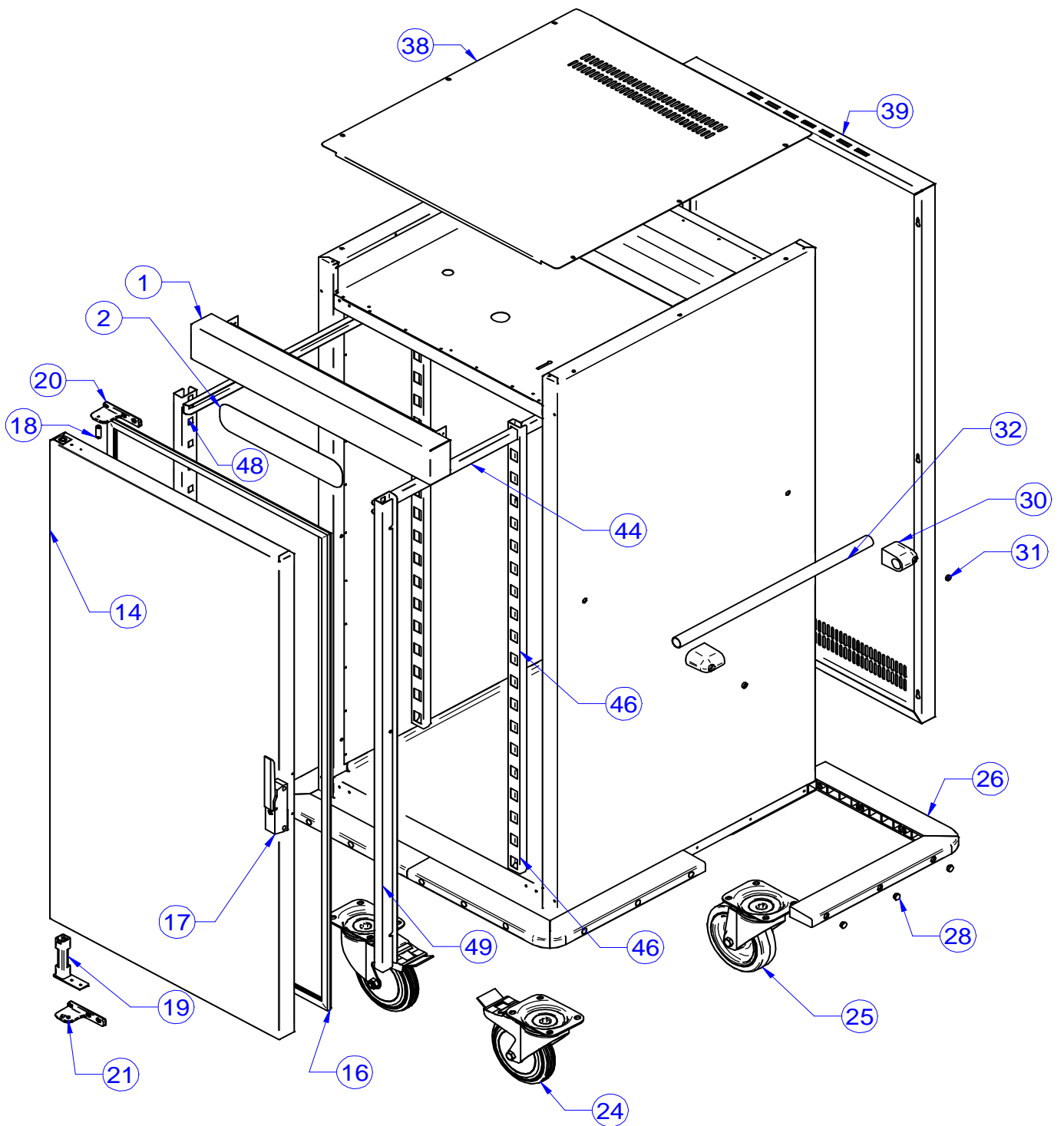
◆ CNS10 REF. 19035970

◆ CNS20 REF. 19035971

◆ CNS20-ISO REF. 19036015

Versión 2016-05





NEUTRAL TROLLEYS / CARROS NEUTROS



- CNS10 REF. 19035970
- CNS20 REF. 19035971
- CNS20-ISO REF. 19036015

Nº	CODE CÓDIGO	RECOM.	DESCRIPTION	DESCRIPCIÓN	CNS10	CNS20	CNS20-ISO
1	12133920		TABLE CONTROLS CNS	CUADRO MANDOS CNS (SOLDADO)	1	1	-
2	12132948		ADHESIVE 345x68 CCE DIAMOND	PEGAT.345x68 CUADRO CNS DIAMOND	1	1	1
14	12084491		DOOR ASSEMBLY CCB-10 V.2	CONJT. PUERTA CCB-10 V.2	1	-	-
14	12079591		DOOR SET CCB-20/40 LEFT V.2	COJT.PUERTA CCB-20/40 IZDA V.2	-	1	1
16	12029402		SILICONE WEATHERSTRIP 1230x630	BURL SILI 1230x630 CCB-20 NUE	-	1	1
16	12029828		SILICONE WEATHERSTRIP 806x630	BURLETE SILICON 806x630 CCB-10	1	-	-
17	12032862		DOOR LOCKING G-885C	CIERRE CON NARIZ SUPLENTO	1	1	1
18	12038076		INOX M6 ROSC.INT SHAFT30X10BEARING	EJE30x10VARIL INOX ROSC.INT M6	1	1	1
19	12038130		DOUBLE spring BIS.TRS1D DV-2608	BIS.TRS1D DOBL MUELLE DV-2608	1	1	1
20	12041474		UPPER LEFT SUPPORT HINGE	SOPT.BISAGRA SUPERIOR IZQUIERD	1	1	1
21	12036986		ADVANCE LINE SUPPORT HINGE.LOWER.LEFT	SOP.BISAG.INF.IZD.GAMA ADVANCE	1	1	1
24	12031783		WHEEL D = 160 C / FR.CCB	RUEDA D=160 C/FR.CCB	2	2	2
25	12032030		WHEEL D = 160 S / FR.CCB	RUEDA D=160 S/FR.CCB	2	2	2
26	12115300		BUMPER CORNER CCB NEW V02	ESQUINERA PARAGOLPES CCB V02	4	4	4
28	12115302		BUMPER HOLE COVER CCB	TAPETA PARAGOLPES CCB	24	24	24
30	12130885		HOT VEHICLES HANDLE SUPPORT CCB (GREY)	SOPORTE TIRADOR CCB V02 (GRIS)	4	4	4
31	12132778		HANDLE PLASTIC HOLE COVER CCB (GREY)	TAPETA SOPORTE TIRADOR CCB (GRIS)	4	4	4
32	12036038		HANDLE TUBE	TUBO TIRADOR CF	2	2	2
38	12079586		ROOF TOP CCB-10	TAPA TECHO CCB-10	1	-	-
38	12050407		ROOF TOP CCB-20	TAPA DEL TECHO CCB-20	-	1	1
39	12050393		EXT. BACK FAN CCB-10	RESPALDO EXT.VENTILADOR CCB-10	1	-	-
39	12029241		BACK EXT.VENTILADOR CCB-20	RESPALDO EXT.VENTILADOR CCB-20	-	1	1
44	12037948		GUIDE FOR GN 2/1 L=662MM	GUIA GN 2/1 U 662 mm	20	40	40
46	12071847		INTERIOR ZIPPER CCB-20 V.2	CREMALLERA INTERIOR CCB-20 V.2	-	2	-
46	12133603		INTERIOR ZIPPER CNS-20 ISO	CREMALLERA INTERIOR CNS20 ISO	-	-	2
47	12071851		BACK ZIPPER CCB-10 V.2	CREMALLERA RESPALDO CCB-10 V.2	2	-	-
48	12050406		LEFT FRONT ZIPPER	CREMALLERA DELTRA.IZQD. CCB-20	-	1	-
48	12133601		RIGHT FRONT ZIPPER CNS-20 ISO	CREMALLERA DELTRA.IZDA. CNS20 ISO	-	-	1
49	12050405		RIGHT FRONT ZIPPER CCB-20	CREMALLERA DELTRA.DRCH. CCB-20	-	1	-
49	12133600		RIGHT FRONT ZIPPER CNS-20 ISO	CREMALLERA DELTRA.DRCH. CNS20 ISO	-	-	1
50	12071850		FRONT ZIPPER CCB-10 V.2	CREMALL. DELANTERA CCB-10 V.2	2	-	-
53	12079587		BANISTER CCB-10	BARANDILLA CCB-10	1	-	-

Notes: