

02/2021

Mod: CF-195T/S

Production code: POLAR 2-95_

CF-195T/S

FEATURES

- Standard with 2 seal bars (front-back): 2 x 1100 mm. Optional without extra costs: 2 seal bars (left-right): 2 x 850 mm
- Standard double seal (two wires). Optional without extra costs: Cut-off or Wide seal (10 mm)
- Silicone holders easily removable for cleaning and maintenance purposes
- Pump capacity: 300 m³/h Busch pump
- Pump maintenance and cleaning program
- Machine cycle: 15-40 sec
- Soft Air to protect the product and vacuum bag
- Standard Digital control with 10 program memory and Time control
- Flat work plate
- Comes with insert plates for a faster cycle and product adjustment
- Stainless steel exterior
- IP-65 classification

OPTIONS

- 1-2 Cut-off/Bi-active seal
- Sensor control
- Liquid control
- Advanced Control System (ACS)
- Automatic lid (see photo)
- 3 seal bars (front, center, back): 3 x 1100 mm
- Gas flush (incl. pressed air connection)
- Preparation for external pump
- Heating element for vacuum valve
- Easy Swing
- Extra seal capacity

ACCESSORIES

- Zebra ZD410 thermal label printer (only in combination with ACS)
- Inclined insert plate
- Lid filler plates
- Service kit for standard maintenance

DESCRIPTION

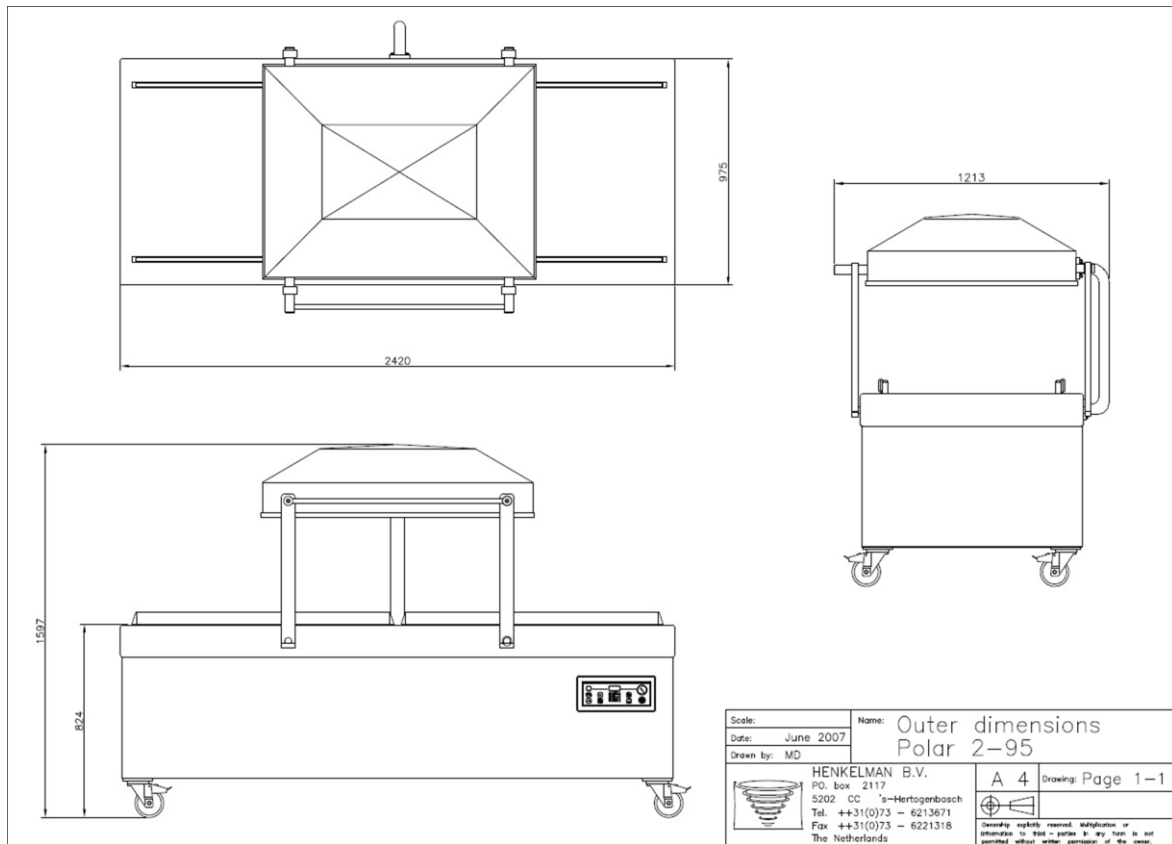
The robust, stainless steel Polar 2-95 vacuum packaging machine is standard equipped with a Busch vacuum pump. This double chamber complies with CE standards.

CF-195T/S- SPECS

VACUUM PACKAGING MACHINE - SPEC SHEET

DIMENSIONS

In mm



Model	Dimensions (mm)		Voltage* (Hz)	Pump capacity (m ³ /h)	Power (kW)	Weight (kg)
	Chamber (usable space) L x W x H	Machine L x W x H				
Polar 2-95	730 x 1100 x 280	1213 x 2420 x 1597	400V-3-50	300	7,0 - 9,0	767

* Other voltages available



Diamond Europe s.a./n.v.

92 Chaussée de Vilvorde
92 Vilvoordsesteenweg
1120 Brussels
Belgium

info@diamond-eu.com
Phone: +32 2 420 26 26
Fax: +32 2 420 67 66
www.diamond-europe.com