

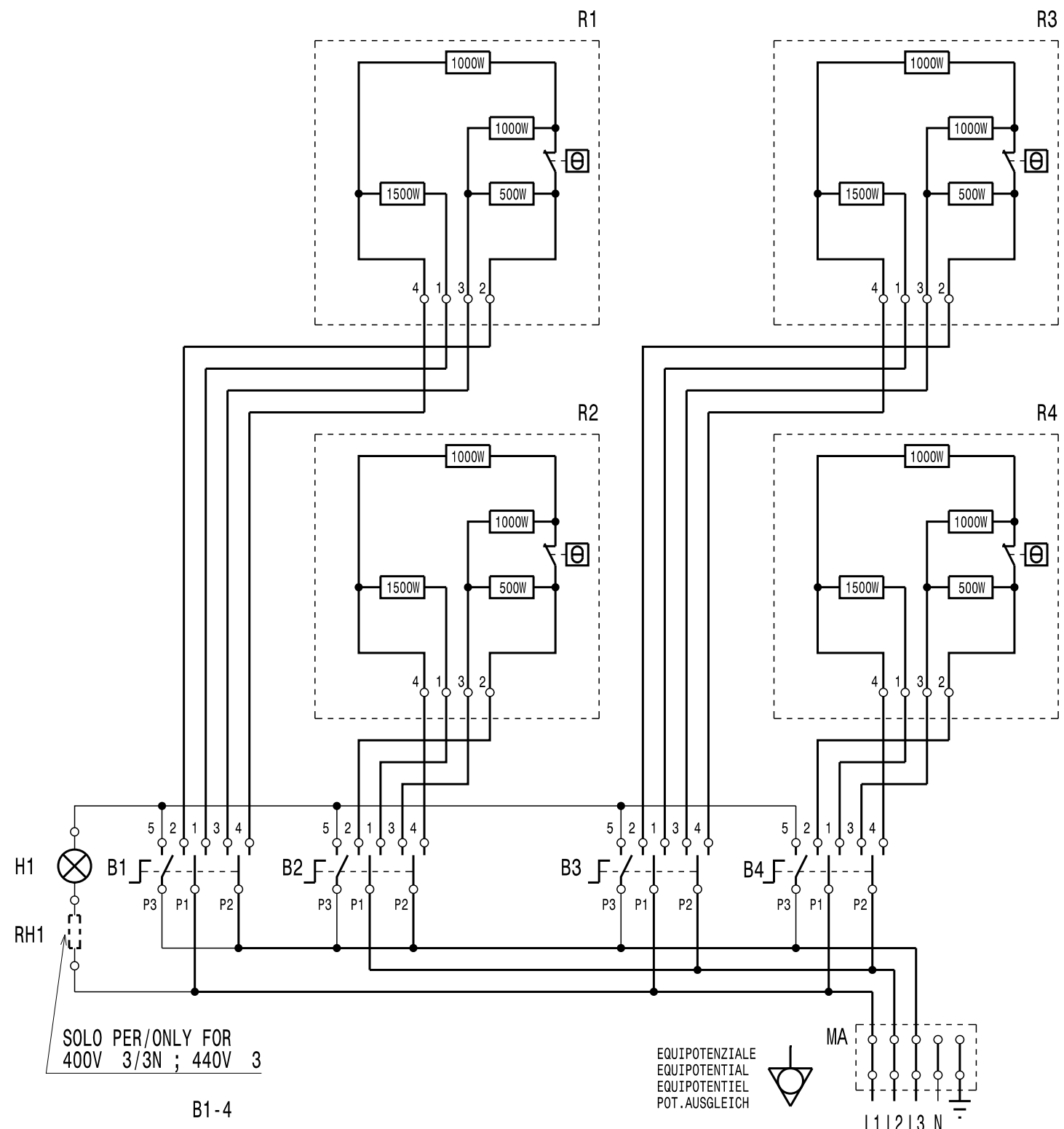
07/2015

# Mod: E22/2PQ4T-N

Production code: 393039



**Diamond**  
catering equipment



SOLO PER/ONLY FOR  
400V 3/3N ; 440V 3

EQUIPOTENZIALE  
EQUIPOTENTIAL  
EQUIPOTENTIEL  
POT.AUSGLEICH

MA

L1 L2 L3 N

B1-4

| POSITION | 5  | 2 | 1  | 3 | 4  | POWER (W) |
|----------|----|---|----|---|----|-----------|
|          | P3 |   | P1 |   | P2 |           |
| 0        |    |   |    |   |    | 0         |
| 6        | ●  | ● | ●  |   | ●  | 4000      |
| 5        | ●  | ● |    |   | ●  | 2500      |
| 4        | ●  | ● |    |   | ●  | 1500      |
| 3        | ●  | ● |    |   | ●  | 1000      |
| 2        | ●  |   |    | ● | ●  | 600       |
| 1        | ●  |   | ●  |   | ●  | 430       |

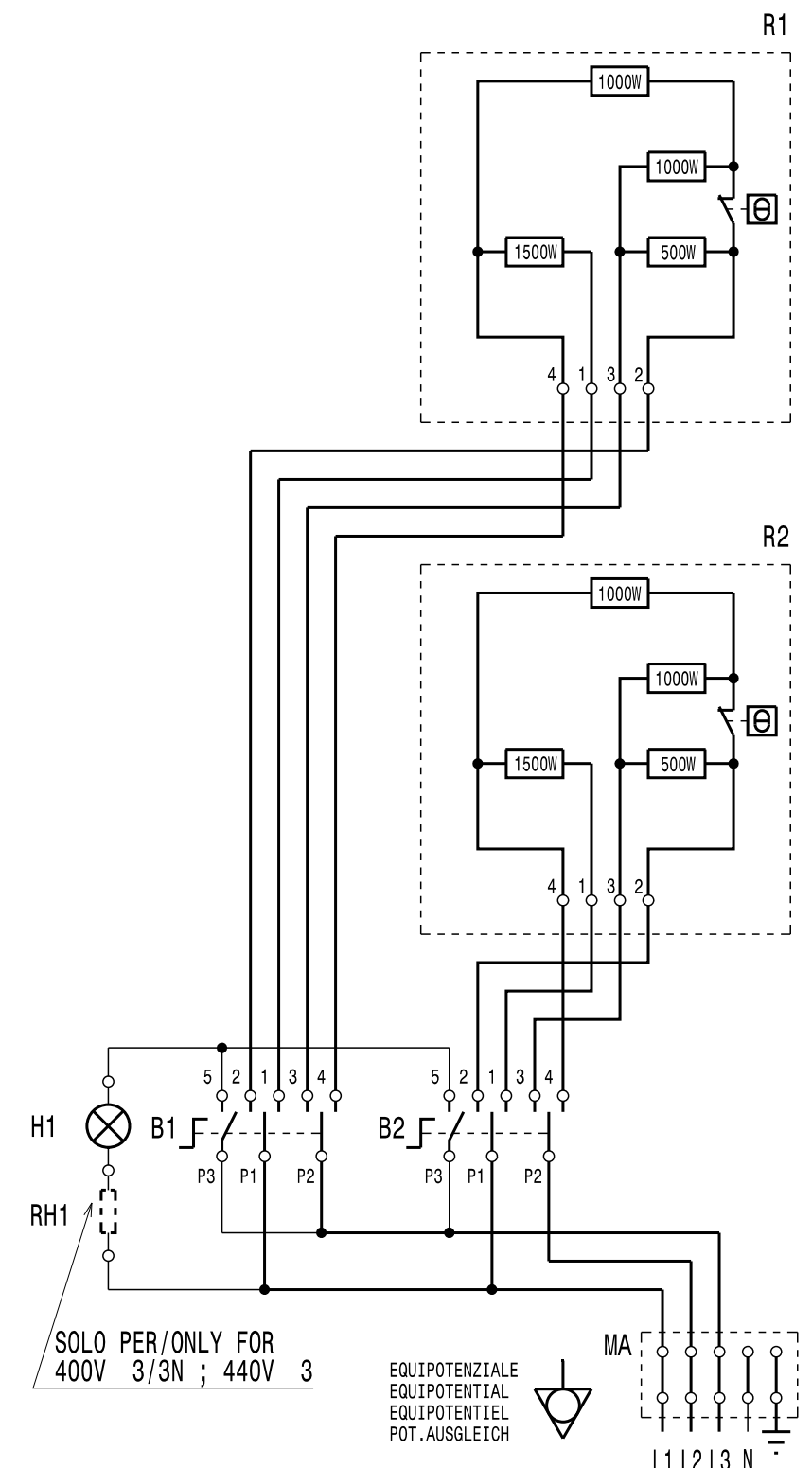
RICAVARE I DATI DI ALIMENTAZIONE DALLA TARGHETTA CARATTERISTICHE

FIND THE POWER SUPPLY ON THE DATA LABEL

400V ~ 3/3N 50/60Hz  
16KW 26.5A

230V ~ 3 50/60Hz  
16KW 46A

440V ~ 3 50/60Hz  
16KW 24.1A



SOLO PER/ONLY FOR  
400V 3/3N ; 440V 3

EQUIPOTENZIALE  
EQUIPOTENTIAL  
EQUIPOTENTIEL  
POT.AUSGLEICH

MA

L1 L2 L3 N

RICAVARE I DATI DI ALIMENTAZIONE DALLA TARGHETTA CARATTERISTICHE

FIND THE POWER SUPPLY ON THE DATA LABEL

400V ~ 3/3N 50/60Hz  
8KW 17.4A

230V ~ 3 50/60Hz  
8KW 30.1A

440V ~ 3 50/60Hz  
8KW 15.8A

|       |                              |                         |
|-------|------------------------------|-------------------------|
| RH1   | RESISTENZA LAMPADA           | RESISTANCE FOR LAMP     |
| R1-R4 | PIASTRE RISCALDANTI          | HOTPLATES               |
| H1    | LAMPADA                      | LAMP                    |
| B1-B4 | COMMUTATORE PIASTRE          | HOTPLATES ROTARY SWITCH |
| MA    | MORSETTIERA DI ALLACCIAMENTO | MAIN TERMINAL BOARD     |