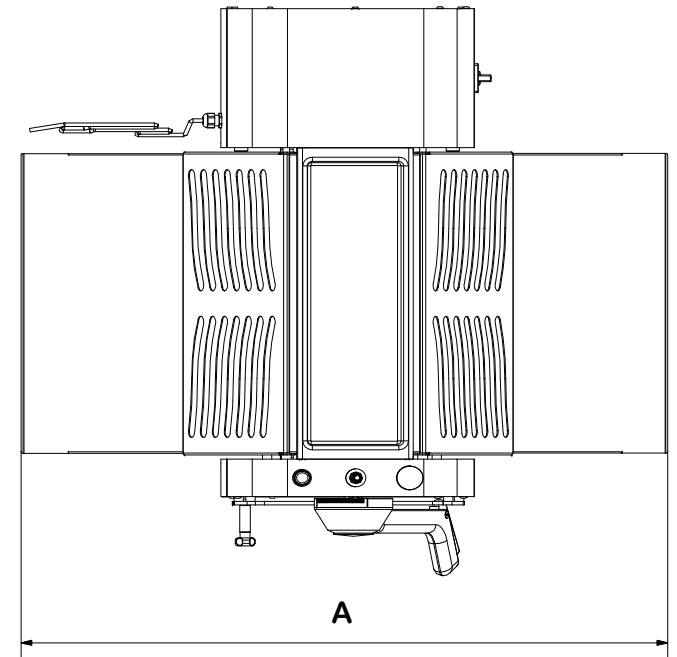
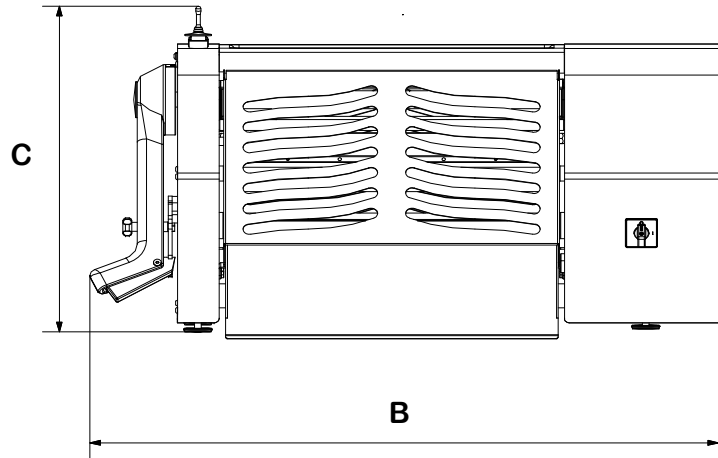
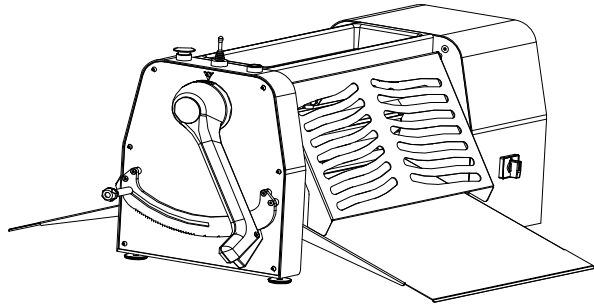


11/2019

Mod: LB50-TT/SS

Production code: SM500

LB50-TT/SS MANUAL SHEETER



Model	Roller speed	Volt (V)	Freq (Hz)	Phases	Bowl motor kW	Ampère	Machine Dimension (mm.)			Gross Weight (Kg.)	Net Weight (Kg.)	Packaging Weight (Kg.)	Packaging Dimensions (mm.)		
							A	B	C				A	B	C
SM500	1	400	50-60	3	0,5	1,7	974	948	544	100	90	10	1150	1130	730