

02/2015

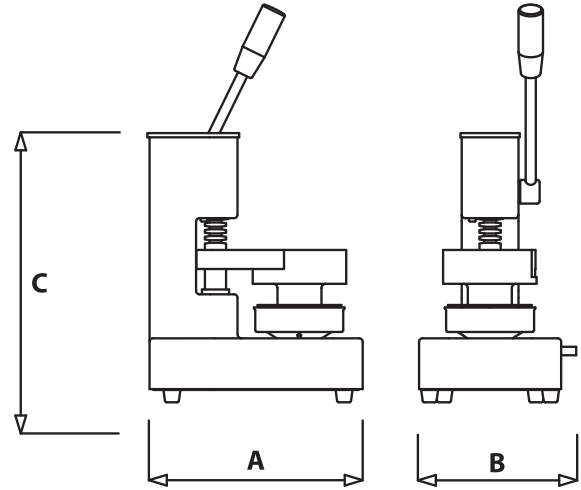
# Mod: PHM-100

**Production code:** FHA 100



# PRESSHAMBURGER

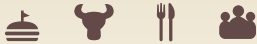
burger press



## PHA D.100

	A	B	C	Cilindro Cylinder Zylinder	Peso netto Net weight Nettogewicht	Dimensioni in Packing dimei Verpackungsa
	mm	mm	mm	mm	kg	mm
FHA 100	250	190	320	ø100	5,0	310x270x350
FHA 400	300	190	280	ø130	7,0	360x270x310

A	B	C	Cilindro Cylinder Цилиндр	Poids net Peso neto Вес нетто	Dimensioni emballe Dimension del embalaje Размеры упаковки
---	---	---	---------------------------------	-------------------------------------	--



Apparecchio per uso professionale  
Per macellerie, ristoranti, alberghi  
Struttura in lega di alluminio alimentare anodizzata  
Porta cellophane incorporato  
Contenitore carne in acciaio inox aisi 304  
Cremagliera in acciaio inox  
Ingranaggi in acciaio - Fondo in plastica  
Attrezzo manuale di semplice utilizzo  
Macchina molto robusta  
Norme CE - Fabbriato in Italia

Professional equipment  
Ideally suited for restaurant, butcheries, hotels  
Structured in food-grade anodized aluminium alloy  
Cellophane case included  
AISI 304 stainless steel meat bowl  
S/steel rack - Steel gears  
Plastic bottom base - User friendly machine  
Strong equipment  
CE approved - Proudly Made in Italy

