

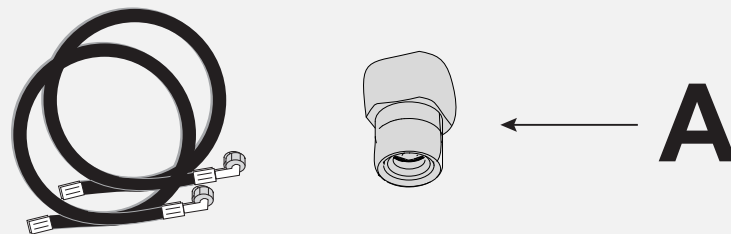
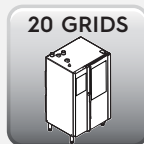
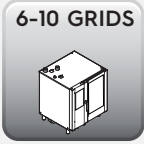
03/2023

Mod: SBET/XC-20-230V/3-

Production code: 228724 - SPECIALE (230V/3)

A - Included Components

1



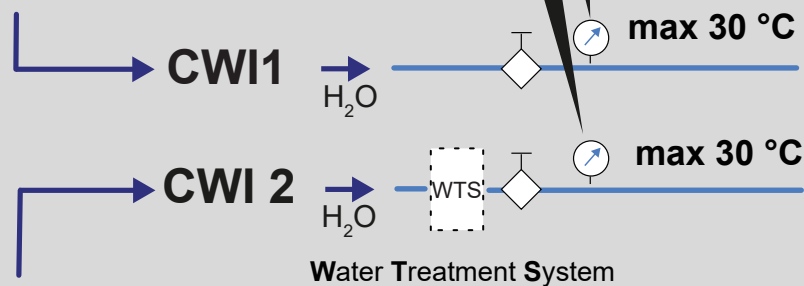
IMPORTANT: For compliance with UK Water Supply (Water Fittings) Regulations the installer technician must provide a WRAS approved double check valve for each water connection, or other device no less effective that provides back-flow protection of at least fluid category three.

B - H2O Connections

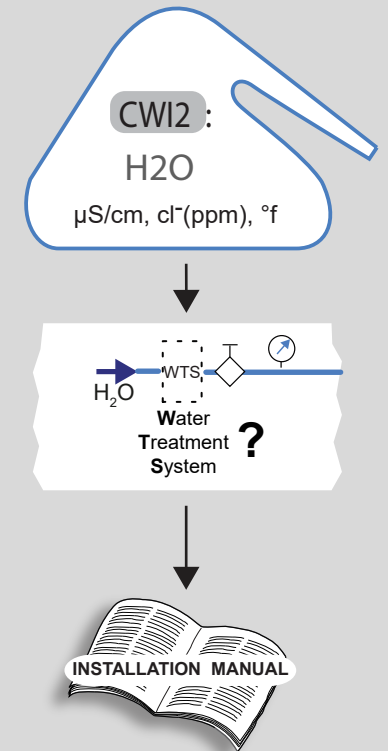
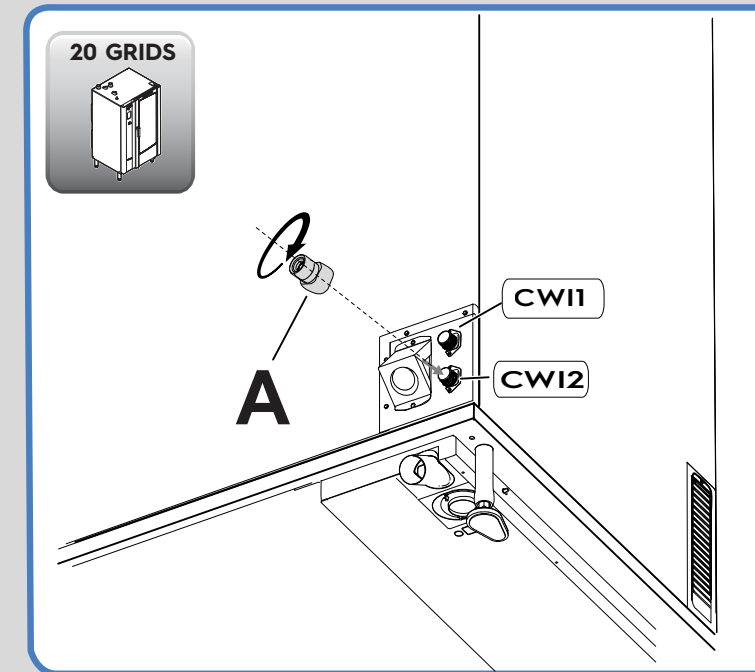
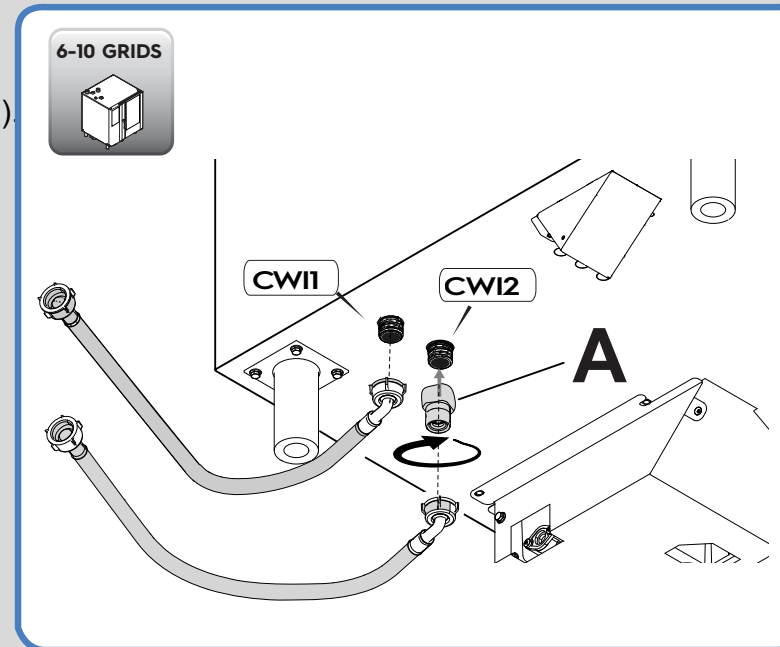
2

⚠️ PRESSURE
100 – 600 kPa
(1,0 – 6,0 bar / 14,5 – 87 psi)

- min 2 l/min - max 10 l/min



- min 2,95 l/min - max 5,75 l/min

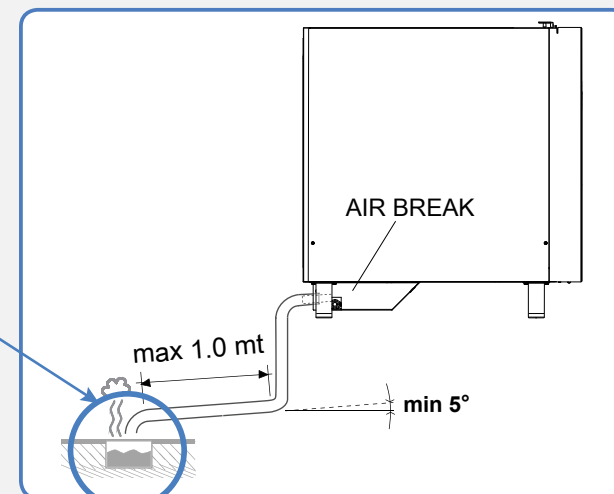
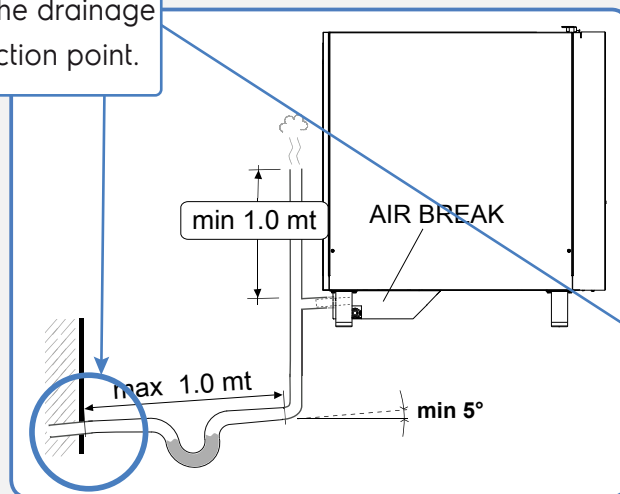
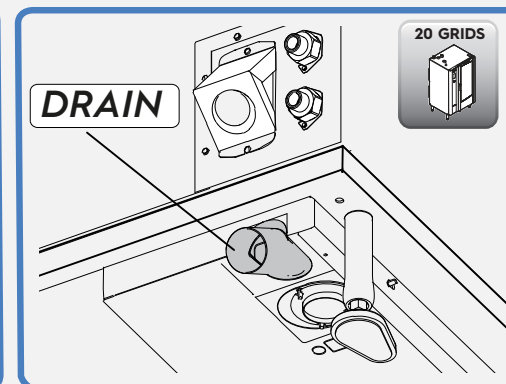
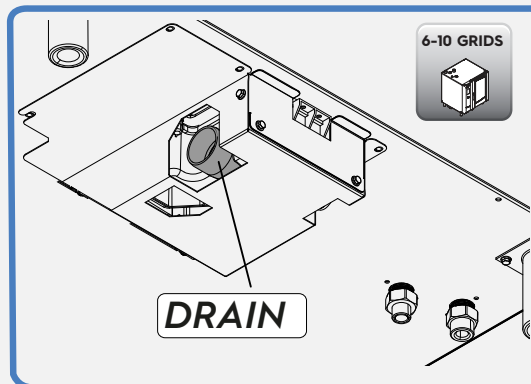


C - Drain Connection

3

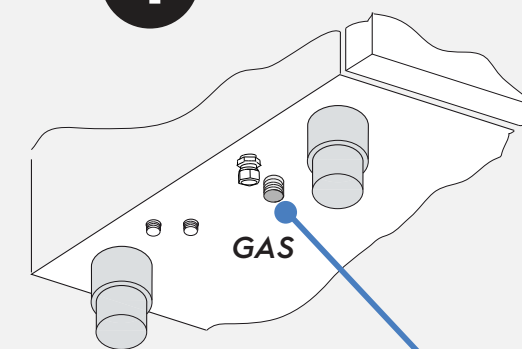
Drain Hose ø50mm
smooth fitting

AUS only: The appliance shall be drained to a certified waste trap positioned at the drainage system connection point.

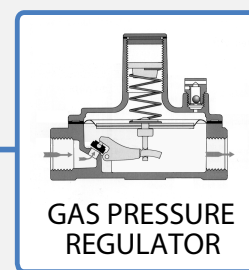


(GAS OVEN ONLY)

4



GAS PRESSURE
⚠️
INSTALLATION MANUAL

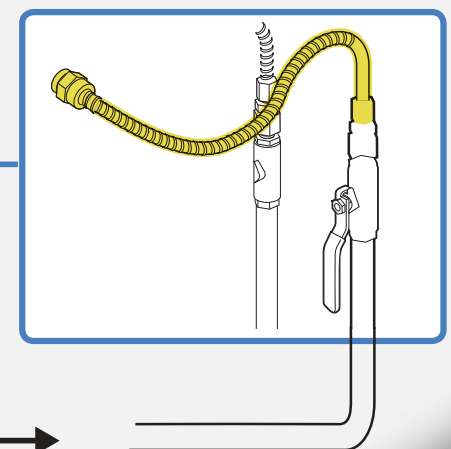


- ø1" 20 GRIDS 1/1
- ø1" 20 GRIDS 2/1
- ø1" 10 GRIDS 2/1

- ø1/2" 6 GRIDS 1/1
- ø1/2" 16 GRIDS 2/1
- ø1/2" 10 GRIDS 1/1

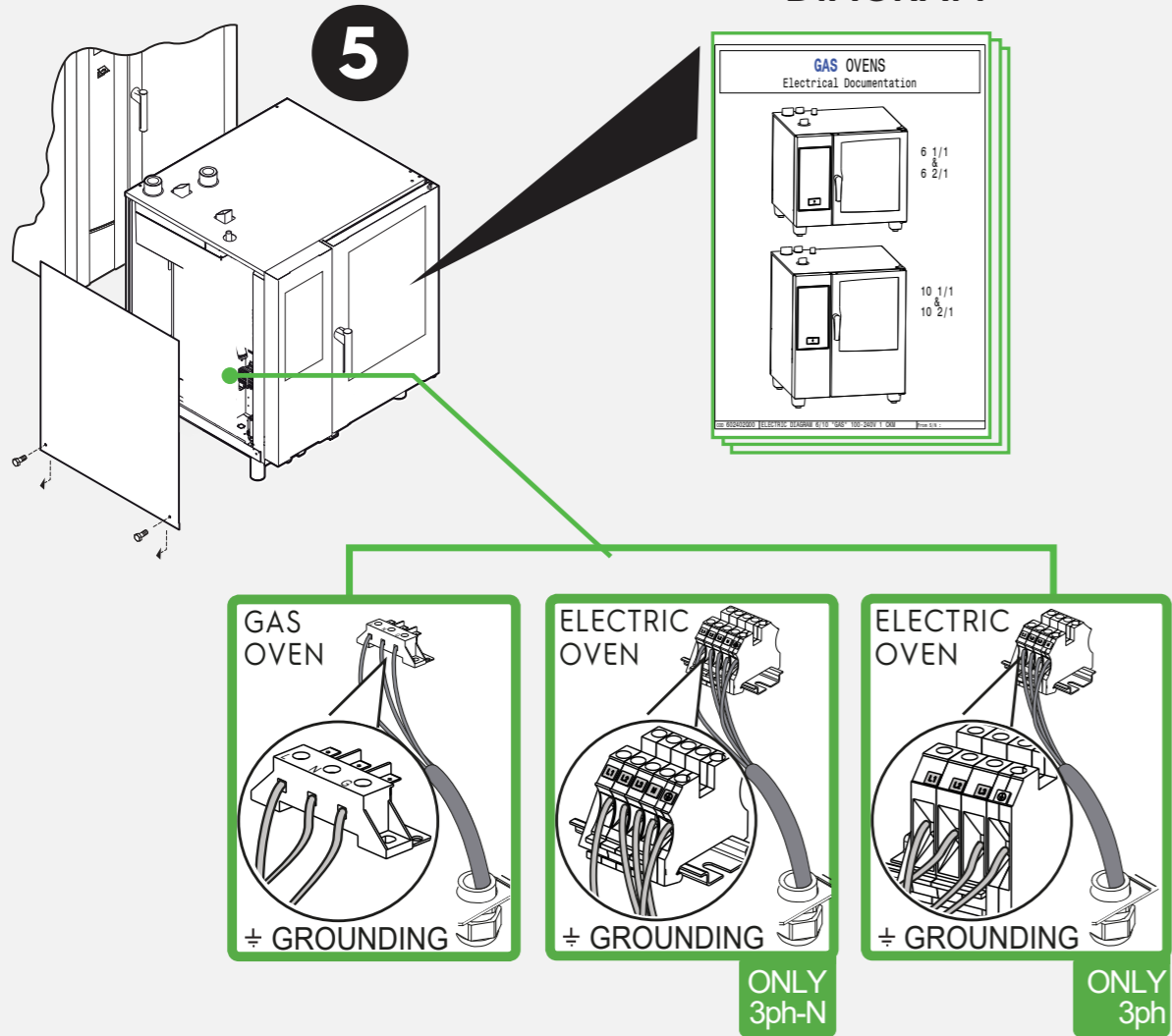
D - Gas Connections

GAS INLET →

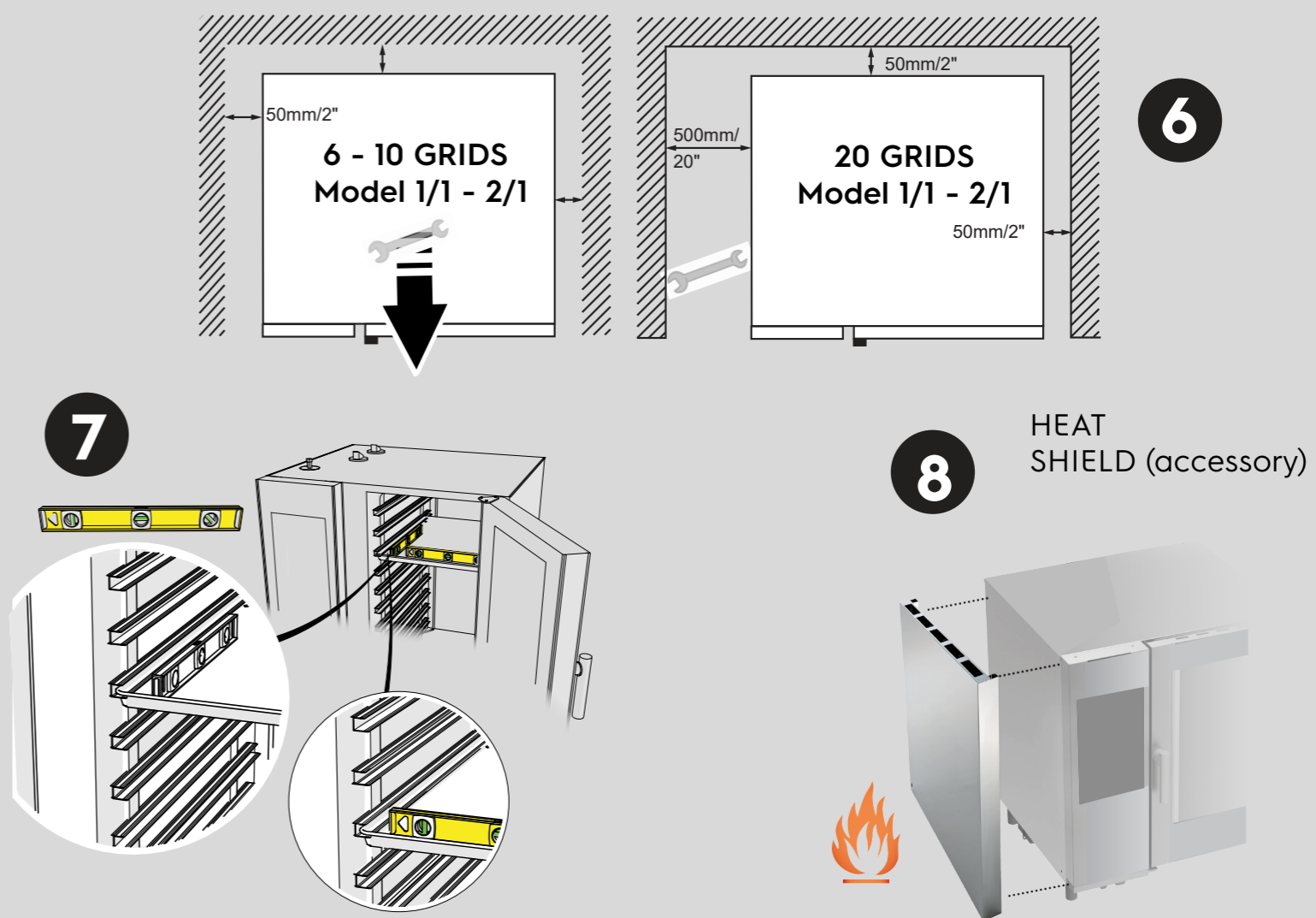


E - Electrical connections

WIRING DIAGRAM



F - Positioning



G - Set up

WIZARD

